

## INSULATING COVER SP 14

### TECHNICAL DATA

Type	SP 14
Suitable for connectors	SM 1.1, SM 1.11 SL 2.1, SL 2.11 SM 7.1
Max conductor cross-section	50 mm <sup>2</sup>
Test voltage	4 kV/50 Hz/1min.
Weight	20 g
Volume	0.00017 m <sup>3</sup>

**USE** The cover is used with Al/Al and Al/Cu connectors as insulation and to protect the connectors against corrosion caused by climatic conditions.

### CONSTRUCTION

The cover is made of weather and UV-radiation resistant special black plastic.

### INSTALLATION

After installation of connector cut off necessary caps for conductors and attach the plastic cover on the connector. Be sure that:

- the cover is closed properly i.e. the locking devices are completely closed
- the cover is in upright position i.e. the openings for condensed water drainage are downwards

### TOOLS REQUIRED

Knife

### MARKINGS

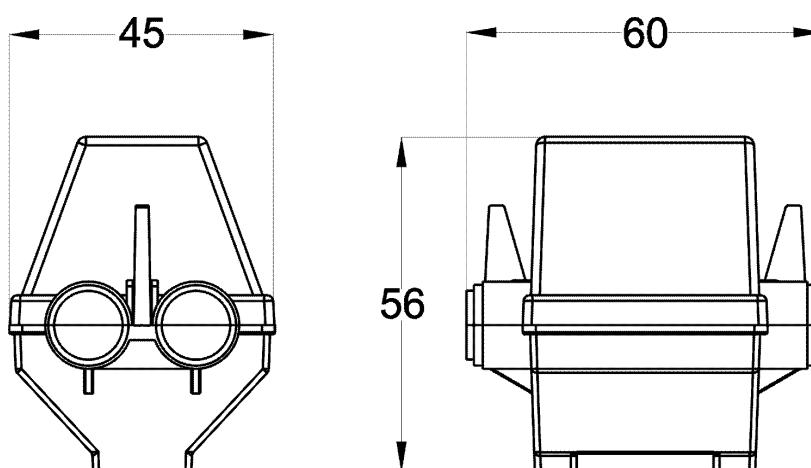
SP 14  
MAX 50 mm<sup>2</sup>

### STANDARD

SFS 4644

### PACKING

10 pcs in a plastic bag / 10 bags in a cardboard box



### UTILITY NETWORKS

Ensto Sekko Oy  
Kipinätie 1  
PL 51  
06101 Porvoo

Ensto Sekko Oy  
Kipinätie 1  
P.O. Box 51  
06101 Porvoo  
Finland

Tel. +358 (0) 204 76 21  
Fax +358 (0) 204 76 2771  
[www.ensto.com](http://www.ensto.com)

Reg. No. 166.780  
Reg. office: Porvoo