

COPPER TO COPPER CONNECTOR SE 12.1

TECHNICAL DATA	Type	SE 12.1
	Main conductor	Cu 10 - 70 mm ²
	Branch conductor	Cu 10 - 70 mm ²
	Bolts	1 x M8
	Test voltage	4 kV/50 Hz/1 min.
	Weight	115 g
	Tightening torque	20 Nm

USE Non tension copper to copper connections or for the connection of an earthing conductor.

CONSTRUCTION

Component	Material
Body	Electromechanical copper
Bolt	Copper alloy

INSTALLATION

It is not necessary to dismantle the connector during the installation work. Unscrew the bolts and place the conductors into the grooves. Tighten the bolts with articulated spanner and fork wrench.

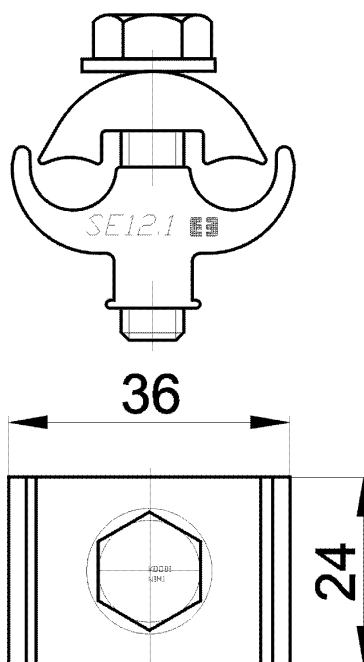
TOOLS REQUIRED

Articulated spanner ST 20
Fork wrench ST 34

MARKINGS SE 12.1, Cu 10-70

STANDARD SFS 2663, Certificate FI 148913-01

PACKING 100 pcs in a cardboard box



UTILITY NETWORKS

Ensto Sekko Oy
Kipinätie 1
PL 51
06101 Porvoo

Ensto Sekko Oy
Kipinätie 1
P.O. Box 51
06101 Porvoo
Finland

Tel. +358 (0) 204 76 21
Fax +358 (0) 204 76 2771
www.ensto.com

Reg. No. 166.780
Reg. office: Porvoo