

## INSULATION PIERCING CONNECTOR SL 25.2

### TECHNICAL DATA

Type	SL 25.2
Main conductor	Al 35 - 150 mm <sup>2</sup>
Branch conductor	Al 35 - 150 mm <sup>2</sup>
Bolt	2xM10
Suitable plastic cover	SP 16
Test voltage	4 kV/50 Hz/1min.
Weight	250g
Tightening torque	40 Nm

### USE

Non tension aluminium to aluminium connections without peeling the insulation. The nominal insulation thickness of the conductor varies between 2,0 - 2,7 mm.

### CONSTRUCTION

Component	Material
Body	Corrosion resistant aluminium alloy, tensile strength 300 /mm <sup>2</sup>
Screws	Hot-dip galvanised steel, strength class 8.8

The connector is brushed and greased.

### INSTALLATION

The insulation of the conductor need not to be removed. The screws of the connector have to be tightened to torque of 40 Nm. The plastic cover SP 16 can be installed on the connector.

### MARKINGS

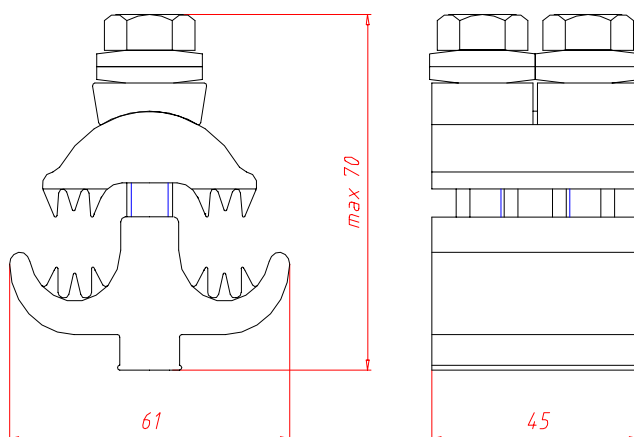
SL 25.2  
Al 50 - 150 mm<sup>2</sup>  
40 Nm

### STANDARD

SFS 2663, SFS 4644

### PACKING

25 pcs in a cardboard box. Each connector is individually packed in a plastic bag.



### UTILITY NETWORKS

Ensto Sekko Oy  
Kipinätie 1  
PL 51  
06101 Porvoo

Ensto Sekko Oy  
Kipinätie 1  
P.O. Box 51  
06101 Porvoo  
Finland

Tel. +358 (0) 204 76 21  
Fax +358 (0) 204 76 2771  
[www.ensto.com](http://www.ensto.com)

Reg. No. 166.780  
Reg. office: Porvoo