

DEAD-END CLAMP SO 28

TECHNICAL DATA

Type	SO 28
For Messenger	25 - 50 mm ²
Test voltage	4 kV / 50 Hz / 1 min.
Test load	13,2 kN
Weight	240 g

USE For dead-ending the AMKA cable messenger by means of hooks to either a pole or a wall.

CONSTRUCTION

Component	Material
Body	Corrosion resistant aluminium alloy
Bolts	Hot-dip galvanised steel (M10 x 50)

INSTALLATION

The messenger is fitted directly in to groove without cutting.

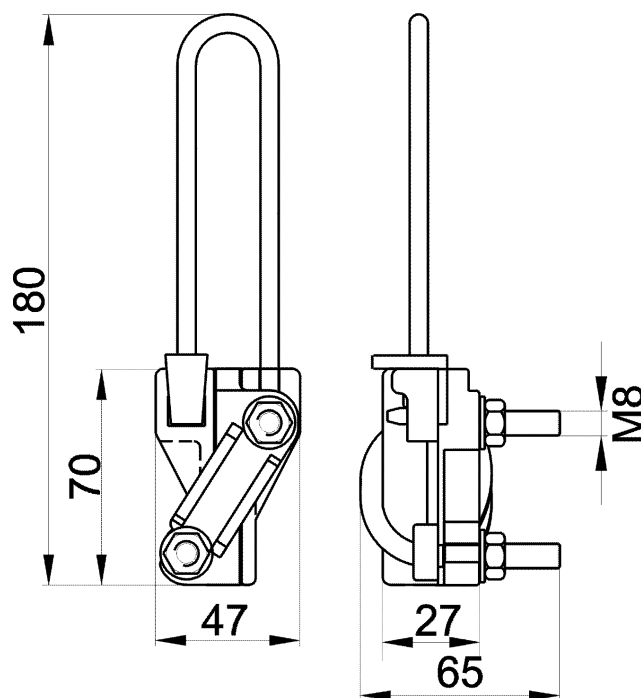
TOOLS REQUIRED

Articulated spanner ST 20

MARKINGS SO 28

STANDARD SFS 2663

PACKING 25 pcs in a cardboard box



UTILITY NETWORKS

Ensto Sekko Oy
Kipinätie 1
PL 51
06101 Porvoo

Ensto Sekko Oy
Kipinätie 1
P.O. Box 51
06101 Porvoo
Finland

Tel. +358 (0) 204 76 21
Fax +358 (0) 204 76 2771
www.ensto.com

Reg. No. 166.780
Reg. office: Porvoo