

## DEAD-END CLAMP SO 141

<b>TECHNICAL DATA</b>	Type	SO 141
	For Messenger	25 - 95 mm <sup>2</sup>
	Test load	25.1 kN/1min
	Weight	460 g

**USE** Universal clamp for dead-ending the AMKA cable messenger.

### CONSTRUCTION

Component	Material
Body	Corrosion resistant aluminium alloy
Bolts	Hot-dip galvanised steel (M10 x 75)
Pin	Hot-dip galvanised steel
Bossage bolt pin	A2

### INSTALLATION

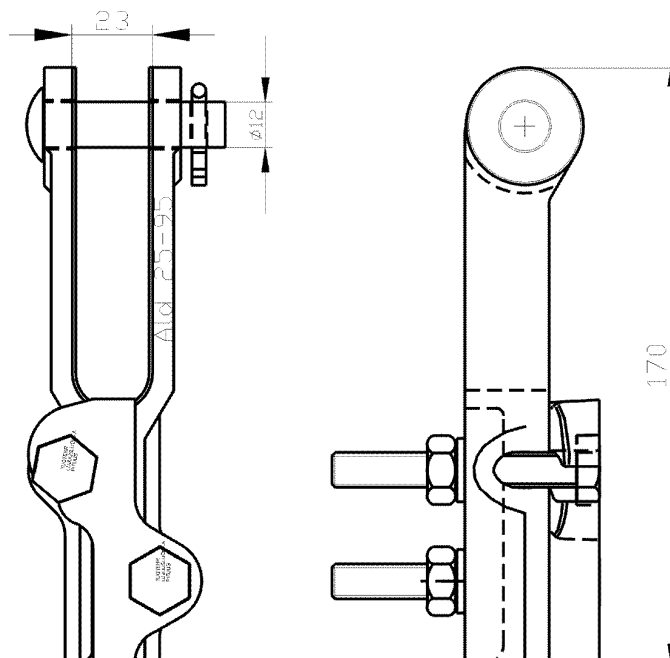
The clamp is opened from the side, so it is easy to install.  
Tightening torque of bolts 44 Nm

### TOOLS REQUIRED

Articulated spanner

**STANDARD** SFS 2663

**PACKING** 25 pcs in a cardboard box



#### UTILITY NETWORKS

Ensto Sekko Oy  
Kipinätie 1  
PL 51  
06101 Porvoo

Ensto Sekko Oy  
Kipinätie 1  
P.O. Box 51  
06101 Porvoo  
Finland

Tel. +358 (0) 204 76 21  
Fax +358 (0) 204 76 2771  
[www.ensto.com](http://www.ensto.com)

Reg. No. 166.780  
Reg. office: Porvoo