

ARC PROTECTION DEVICE SE 20.1

TECHNICAL DATA

Type	SE 20.1
Conductor	PAS 35 - 150 mm ²
Suitable plastic cover	SP 16
Bolts	2 x M10
Tested short circuit current	$I_k = 11,5 \text{ kA}, 1 \text{ s}$
Tested maximum current	$I_{dyn} = 29 \text{ kA}$
Power arc current	10 kA, 1 s (twice)
Weight	470 g
Tightening torque	40 Nm

USE For arc protection of covered conductors (PAS). The nominal insulation thickness of the conductor can vary 2,0 - 2,7 mm.

CONSTRUCTION

Component	Material
Body	Corrosion resistant aluminium alloy, tensile strength 300 /mm ²
Bolts	Hot-dip galvanised steel
Arcing horn	Hot-dip galvanised steel

SE 20.15 comes with a ball head horn.

The lower section of the body protects the bolts against corrosion and enables the connector easily to be reopened even after years of service. The conductor groove is brushed, greased and toothed to ensure reliable connections.

INSTALLATION

It is not necessary to dismantle the connector during the installation work. Unscrew the bolts and place the conductor into the groove. Tighten the bolts with articulated spanner and fork wrench to torque of 40 Nm.

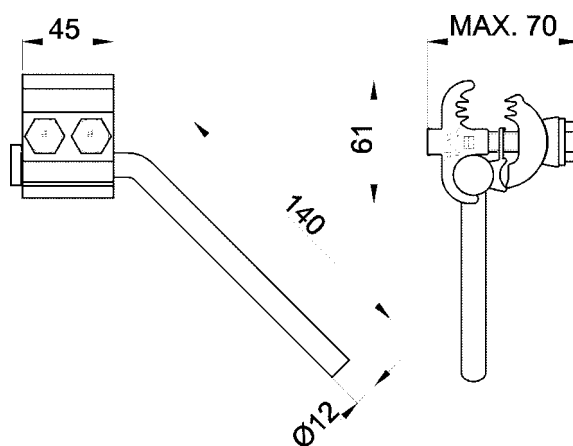
TOOLS REQUIRED

Articulated spanner ST 20
Fork wrench ST 34

MARKINGS SE 20.1 $I_k = 11,5 \text{ kA}, 1 \text{ s}$ $I_{dyn} = 29 \text{ kA}$

STANDARD SFS 2663, SFS 3667

PACKING 3 / 24 pcs in a cardboard box



UTILITY NETWORKS

Ensto Sekko Oy
Kipinätie 1
PL 51
06101 Porvoo

Ensto Sekko Oy
Kipinätie 1
P.O. Box 51
06101 Porvoo
Finland

Tel. +358 (0) 204 76 21
Fax +358 (0) 204 76 2771
www.ensto.com

Reg. No. 166.780
Reg. office: Porvoo