

HiFEK roof extractors

**High efficiency
roof extractor**



HiFEK EC

Energy-saving and silent roof extractor for offices, commercial buildings, public buildings and residential buildings

➤ AIR VOLUME UP TO 4,5 m³/sec

The motor of the HiFEK EC roof extractor utilises the permanent magnet technology. It includes an integrated frequency converter. EC motors have a very high coefficient of performance, and controlling the rpm is easy.

- The motors are reliable and user-friendly.
- Their enclosure rating is IP54.
- Output of the roof extractors varies from 0.1 kW to 3.4 kW. The basic model is delivered completely wired and connected. The control wire includes a junction box where the motor connectors are easy to reach.
- The rpm can be controlled via a bus connection (Modbus) or using the voltage signals of a building automation system (0–10 V). The roof extractors have been designed to be easy to use and connect.

The structure of the HiFEK EC roof extractors makes cleaning and maintenance of the ducts and fan easy. The installation accessories are included in the standard delivery. The standard models are manufactured from hot galvanised sheet steel. The best way to install a roof extractor is to use a HiFEP installation chimney. The standard chimneys are manufactured from hot galvanised sheet steel. The thermal insulation is rock wool. The fire rating of HiFEP installation chimneys is EI60 or EI120. The dampers and feedthrough pipes for electric cables are installed at the factory.



COMPACT ACCESSORIES FOR VARIOUS NEEDS AND SITES AVAILABLE

- Roof extractor sizes 03–06 include as a standard accessory a Modbus, which is also available as an optional accessory for roof extractor sizes 09–36.
- An old double-speed roof extractor can be replaced with an accessory that offers two adjustable speeds for the fan. The accessory is excellent for renovated buildings. The accessory will replace the old safety switch and other connectors will be available in the basic model junction box.
- You can control the Modbus card parameters yourself with an optional terminal. The parameters can also be set from a building automation system via the Modbus.

MARKINGS:

Q = Volume flow, m³/sec

psf = Fan pressure rise, Pa

$\eta_{sF,sys}$ = Static efficiency rating of the fan, %

Sound power level = Sound power level into the environment, dB

The following values, depending on the operating point, are available in the fan diagram: fan pressure rise, volume flow, static efficiency rating of the fan, sound power level through the housing into the environment and motor control voltage. The required initial data includes ductwork pressure loss (the blue arrow in the figure) and the required volume flow (the green arrow).

The blue graphs in the fan diagram depict the fan pressure rise (vertical axis 1) as a function of the volume flow (the horizontal axis). The red graphs in the fan diagram depict the fan's total efficiency (vertical axis 2) as a function of the volume flow. The purple dash lines depict the sound level into the environment through the housing as a function of the fan pressure rise and volume flow. The light grey graphs depict the increase of the fan pressure rise and volume flow when the rpm increases.

The performance characteristics of the operating point depicted in the example diagram are:

Ductwork pressure loss (fan pressure rise): 400 Pa

Fan volume flow: 0.4 m³/sec

Static efficiency rating of the fan: 50 %

Sound power level into the environment: approximately 73 dB

Control voltage: approximately 8.4 V

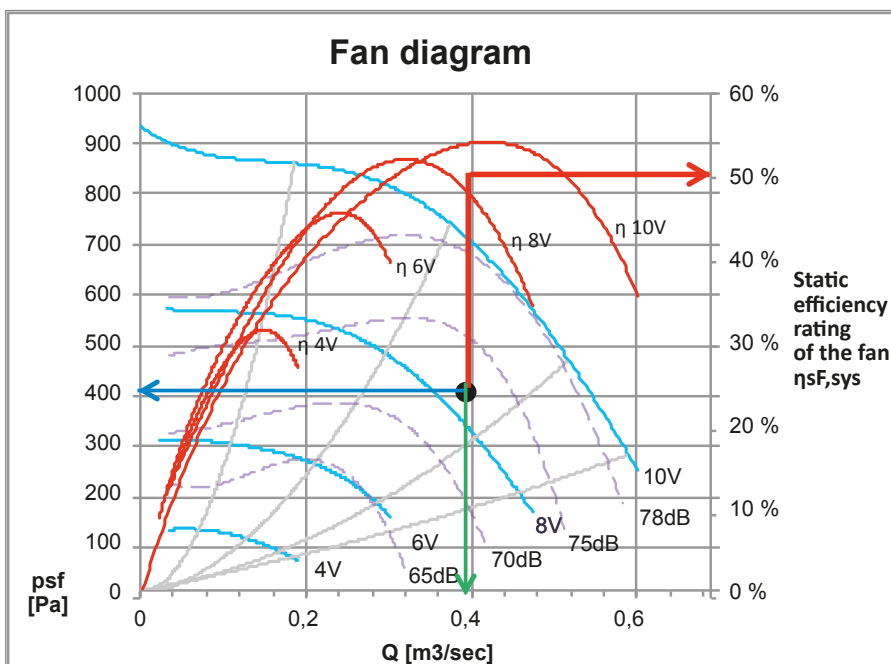


Fig. 1. Fan diagram.

USING THE FAN DIAGRAM AND MARKINGS

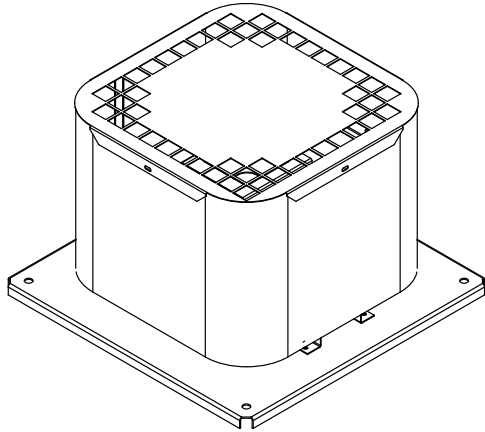
The following values, depending on the operating point, are available in the fan diagram: fan pressure rise, volume flow, static efficiency rating of the fan, sound power level through the housing into the environment and motor control voltage.

The required initial data includes ductwork pressure loss (the blue arrow in the figure) and the required volume flow (the green arrow).

HiFEK EC quick selection

HVAC code	HiFEK	qv1, m ³ /s																	Motor data				HVAC code	Max current values IEC-60034-1
		psF, Pa																	n	P	I 400 V	I 230 V		
		50	75	100	125	150	175	200	225	250	275	300	350	400	450	500	rpm	kW						
7805025	01-EC	0,22	0,21	0,20	0,19	0,17	0,16	0,15	0,14	0,13	0,12	0,10	0,08					2580	0,085	A	0,7			0,7
7805026	02-EC	0,51	0,48	0,46	0,43	0,40	0,37	0,34	0,29	0,25	0,19							1525	0,15	A	1,2			1,2
7805013	03-EC		0,68	0,67	0,67	0,66	0,65	0,64	0,63	0,62	0,62	0,61	0,58	0,56	0,54	0,51		3080	0,50	A	2,6			2,6
7805014	06-EC		0,97	0,96	0,95	0,93	0,91	0,89	0,87	0,86	0,86	0,82	0,77	0,72	0,66	0,60		2100	0,48	A	2,6			2,6
7805015	09-EC		1,58	1,56	1,55	1,54	1,53	1,51	1,50	1,48	1,47	1,46	1,42	1,40	1,36	1,32		2400	1,35	A	6,8			6,8
7805016	12-EC		2,27	2,26	2,24	2,22	2,21	2,20	2,17	2,16	2,14	2,12	2,10	2,06	2,02	1,98		2400	2,30	A	3,7			3,7
	18-EC		2,45	2,42	2,40	2,39	2,35	2,34	2,30	2,28	2,25	2,23	2,17	2,10	2,05	1,98		1800	1,80	A	2,9			2,9
	24-EC		4,18	4,15	4,10	4,08	4,04	4,00	3,98	3,93	3,90	3,86	3,80	3,70	3,62	3,52		1550	3,40	A	5,4			5,4
	36-EC		4,50	4,40	4,37	4,35	4,30	4,20	4,18	4,12	4,05	4,00	3,86	3,72	3,57	3,40		1200	2,90	A	4,8			4,8

HiFEK EC-01



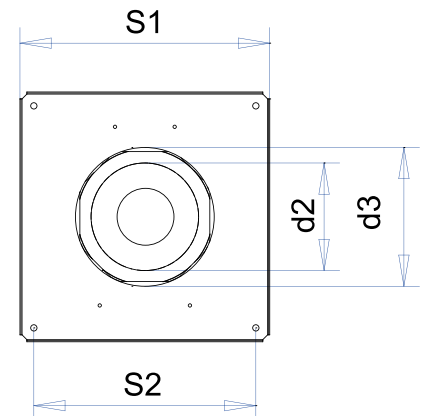
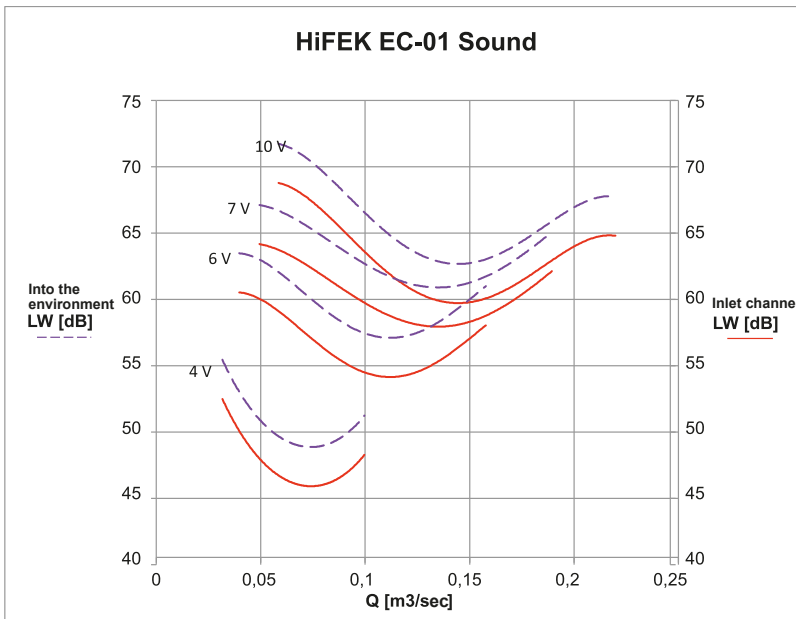
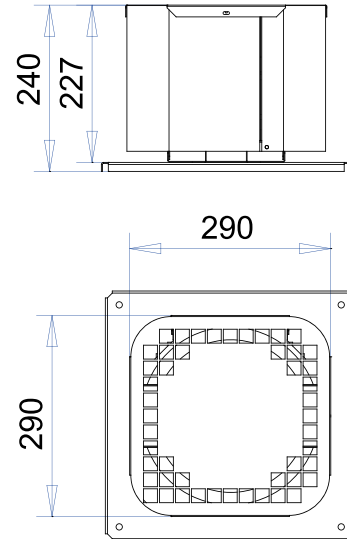
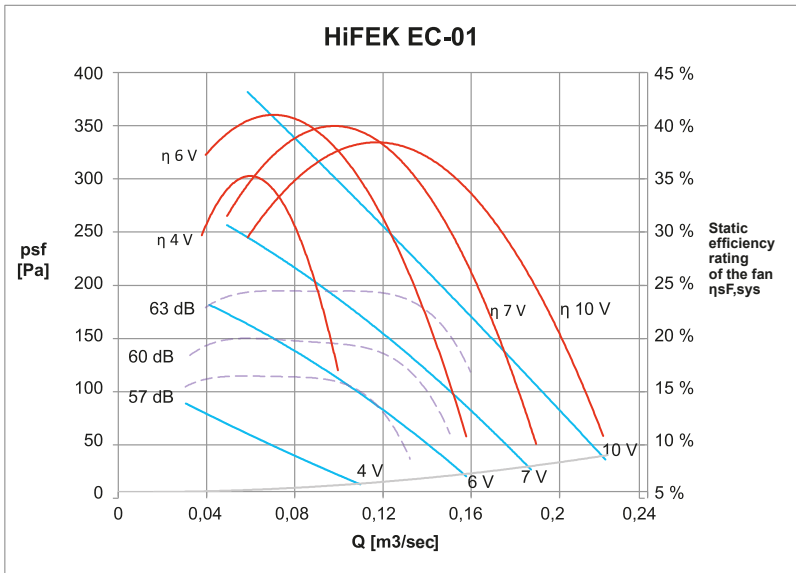
HiFEK EC-01

Air volume max	0.14 m ³ /s (200 Pa)
Weight	8 kg
Fan's general coefficient of performance η_e	39.4 %
Energy efficiency target value η_{target}	39.3 %
Efficiency grade N	61

The assumption used when calculating the coefficient of performance is an integrated frequency converter. Measurement category A. Static efficiency category.

Rated values:

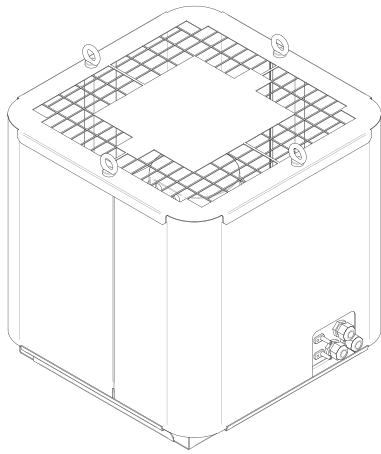
Speed	2580 rpm
Output	0.085 kW
Current	0.70 A (50/60 Hz, 55 °C)
Voltage	1~ 240 V



- S1 = 360 mm (dimension of the edge of the mounting plate)
- S2 = 320 mm (roof extractor's fixing pointst)
- d2 = 155 mm (diameter of the roof extractor's inlet aperture)
- d3 = 226 mm (diameter of the aperture in the roof extractor's installation frame)
- Equivalence of the fixing points: FEK 25

Formula for the k value: $\frac{k \times \sqrt{\Delta p}}{1000} = [m^3/s]$, where Δp = Differential pressure from fan's measuring nozzles (Pa)

HiFEK EC-02



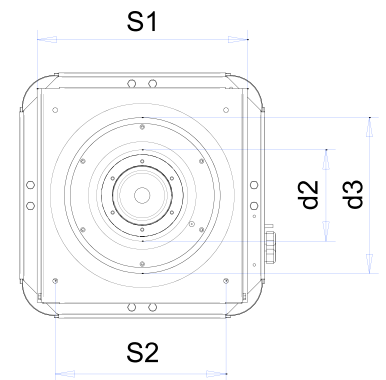
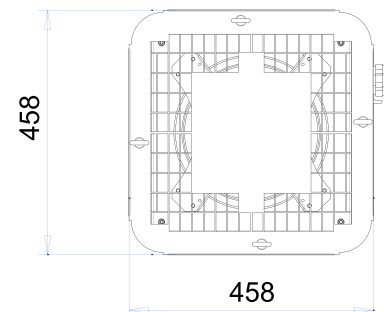
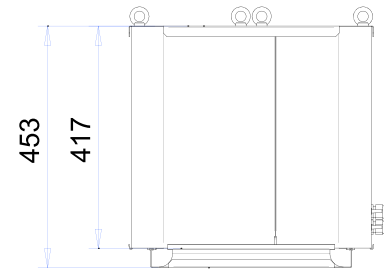
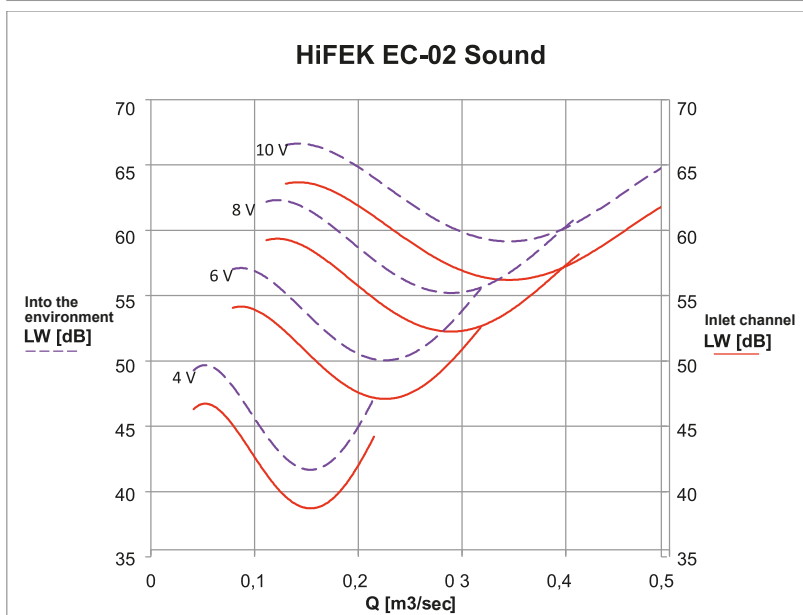
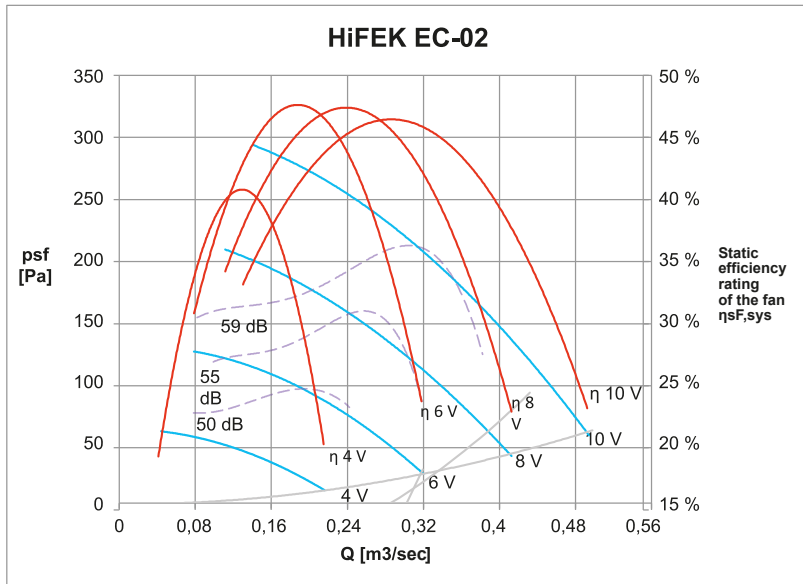
HiFEK EC-02

Air volume max	0.34 m ³ /s (200 Pa)
k value	30.7
Weight	22 kg
Fan's general coefficient of performance η_e	45.8 %
Energy efficiency target value η_{target}	42.3 %
Efficiency grade N	61

The assumption used when calculating the coefficient of performance is an integrated frequency converter. Measurement category A. Static efficiency category.

Rated values:

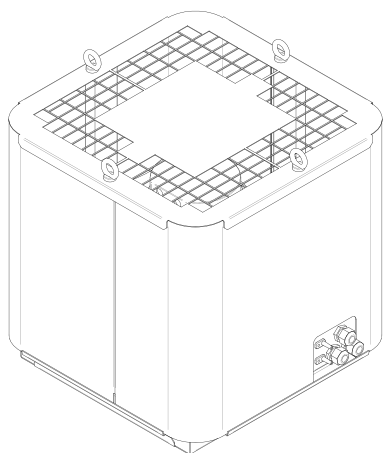
Speed	1525 rpm
Output	0.150 kW
Current	1.20 A (50/60 Hz, 55 °C)
Voltage	1~ 240 V



- S1 = 400 mm (dimension of the edge of the mounting plate)
- S2 = 320 mm (roof extractor's fixing points)
- d2 = 195 mm (diameter of the roof extractor's inlet aperture)
- d3 = 295 mm (diameter of the aperture in the roof extractor's installation frame)
- Equivalence of the fixing points: FEK 25

Formula for the k value: $\frac{k \cdot \sqrt{\Delta p}}{1000} = [m^3/s]$, where Δp = Differential pressure from fan's measuring nozzles (Pa)

HiFEK EC-03



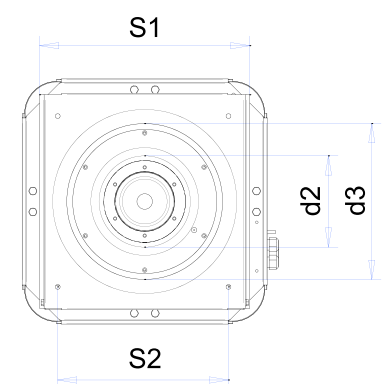
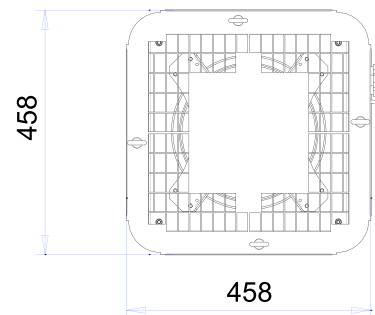
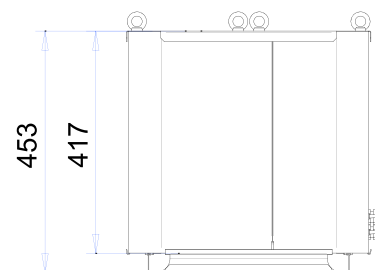
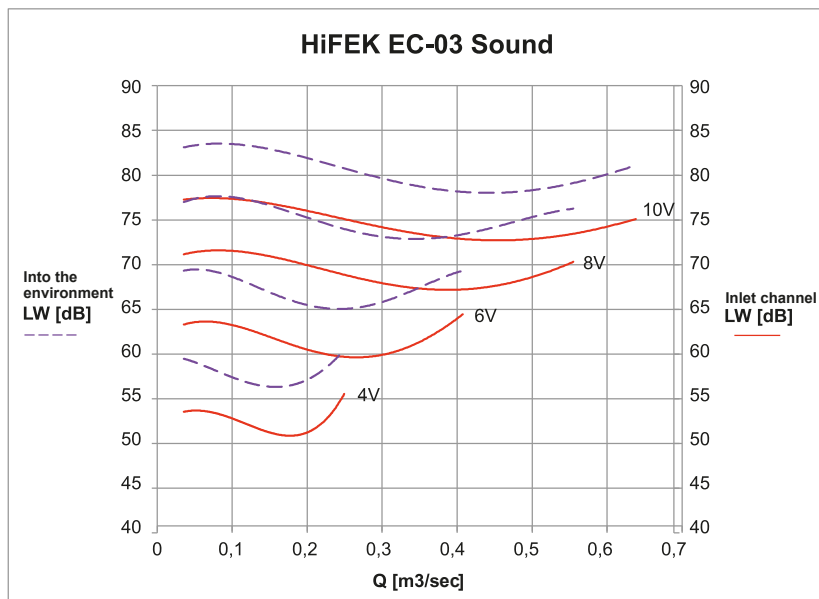
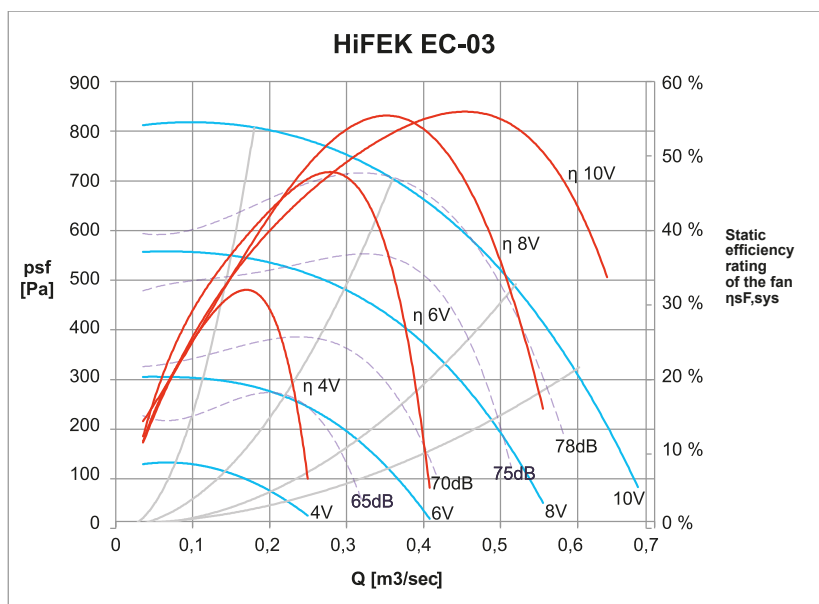
HiFEK EC-03

Air volume max	0.64 m ³ /s (200 Pa)
k value	16.7
Weight	26 kg
Fan's general coefficient of performance η_e	61.3 %
Energy efficiency target value η_{target}	48.3 %
Efficiency grade N	62

The assumption used when calculating the coefficient of performance is an integrated frequency converter. Measurement category A. Static efficiency category.

Rated values:

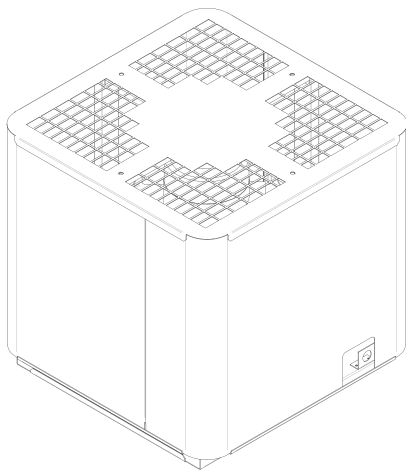
Speed	3000 rpm
Output	0.50 kW
Current	2.60–1.90 A (50/60 Hz, 55 °C)
Voltage	1~ 200–277 V



- S1 = 400 mm (dimension of the edge of the mounting plate)
- S2 = 320 mm (roof extractor's fixing points)
- d2 = 153 mm (diameter of the roof extractor's inlet aperture)
- d3 = 295 mm (diameter of the aperture in the roof extractor's installation frame)
- Equivalence of the fixing points: FEK 25

Formula for the k value: $\frac{k \cdot \sqrt{\Delta p}}{1000} = [m^3/s]$, where Δp = Differential pressure from fan's measuring nozzles (Pa)

HiFEK EC-06



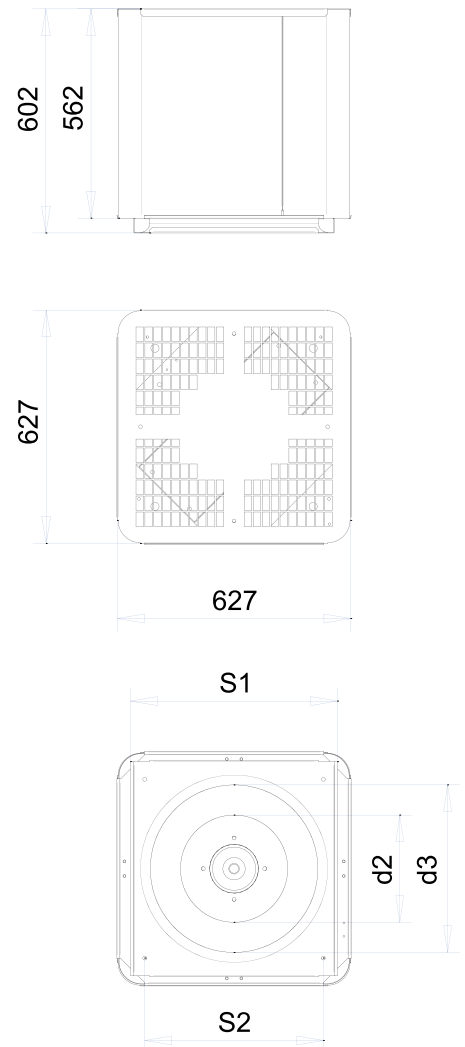
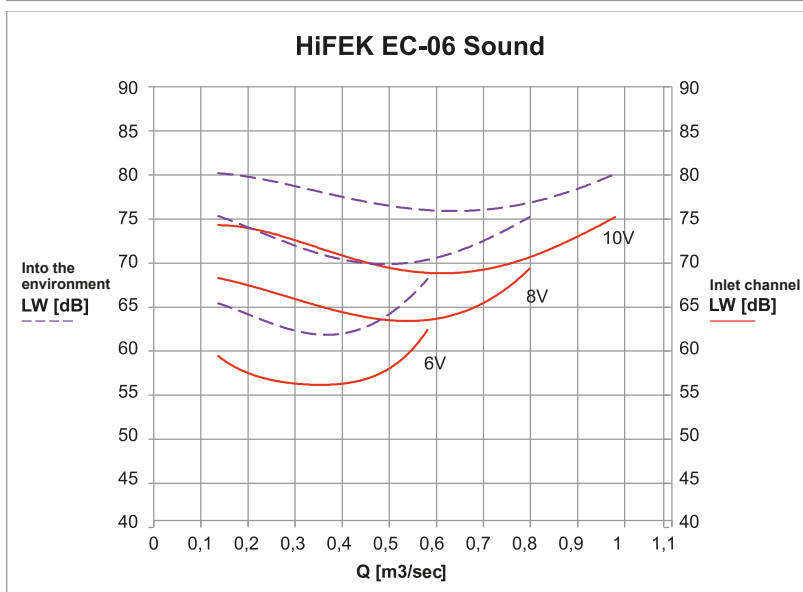
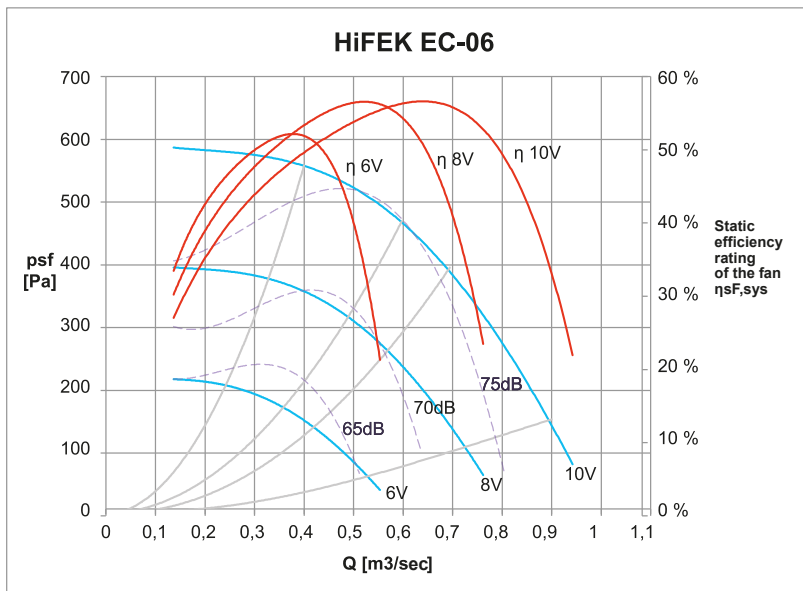
HiFEK EC-06

Air volume max	0.86 m ³ /s (200 Pa)
k value	26.4
Weight	42 kg
Fan's general coefficient of performance η_e	62.0 %
Energy efficiency target value η_{target}	48.3 %
Efficiency grade N	62

The assumption used when calculating the coefficient of performance is an integrated frequency converter. Measurement category A. Static efficiency category.

Rated values:

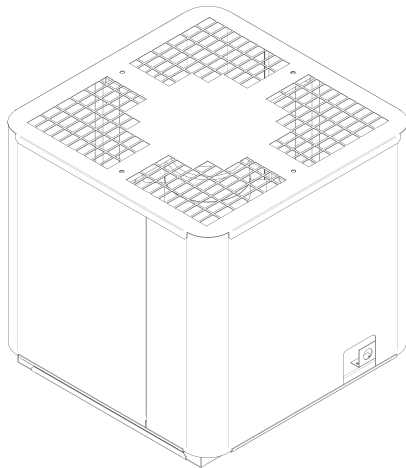
Speed	2060 rpm
Output	0.50 kW
Current	2.60–1.90 A (50/60 Hz, 50 °C)
Voltage	1~ 200–277 V



- S1 = 570 mm (dimension of the edge of the mounting plate)
- S2 = 480 mm (roof extractor's fixing points)
- d2 = 192 mm (diameter of the roof extractor's inlet aperture)
- d3 = 455 mm (diameter of the aperture in the roof extractor's installation frame)
- Equivalence of the fixing points: FEK 31

Formula for the k value: $\frac{k \cdot \sqrt{\Delta p}}{1000} = [m^3/s]$, where Δp = Differential pressure from fan's measuring nozzles (Pa)

HiFEK EC-09



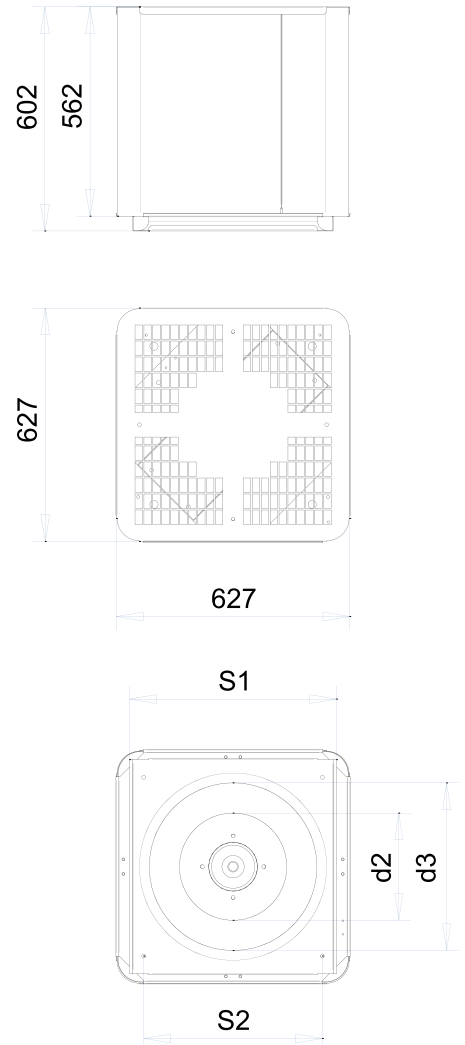
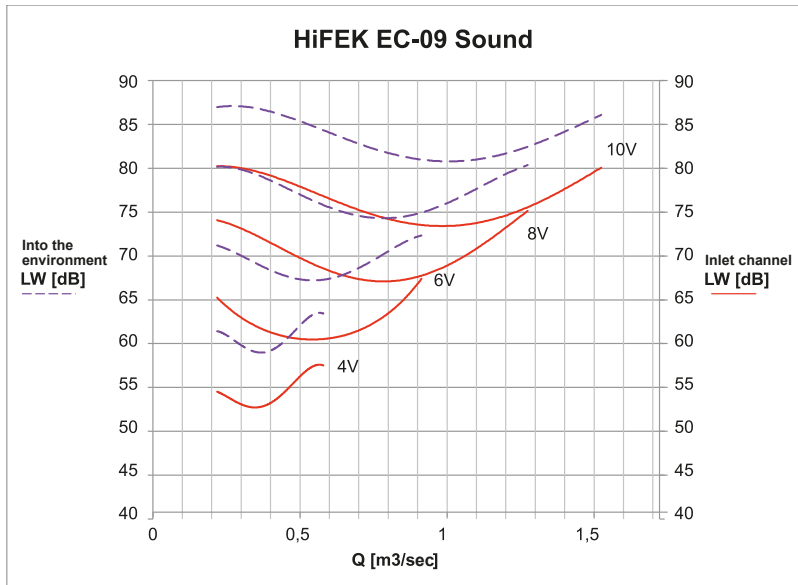
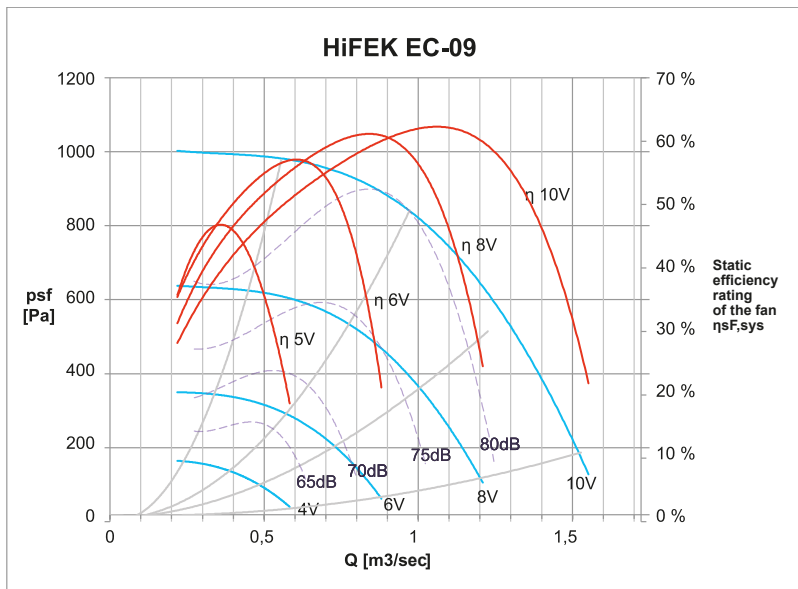
HiFEK EC-09

Air volume max	1.5 m ³ /s (200 Pa)
k value	33.6
Weight	46 kg
Fan's general coefficient of performance η_e	65.9 %
Energy efficiency target value η_{target}	52.8 %
Efficiency grade N	62

The assumption used when calculating the coefficient of performance is an integrated frequency converter. Measurement category A. Static efficiency category.

Rated values:

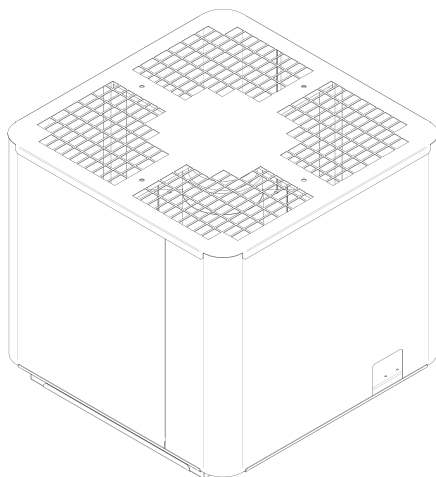
Speed	2400 rpm
Output	1.35 kW
Current	6.80–4.90 A (50/60 Hz, 45 °C)
Voltage	1~ 200–277 V



- S1 = 570 mm (dimension of the edge of the mounting plate)
- S2 = 480 mm (roof extractor's fixing points)
- d2 = 217 mm (diameter of the roof extractor's inlet aperture)
- d3 = 455 mm (diameter of the aperture in the roof extractor's installation frame)
- Equivalence of the fixing points: FEK 35

Formula for the k value: $\frac{k \times \sqrt{\Delta p}}{1000} = [m^3/s]$, where Δp = Differential pressure from fan's measuring nozzles (Pa)

HiFEK EC-12



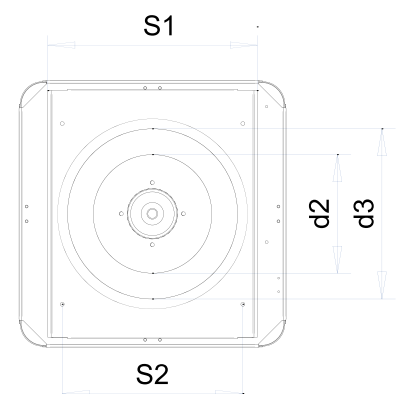
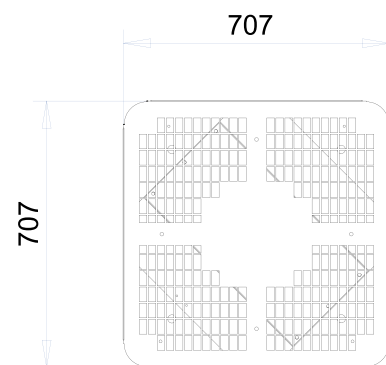
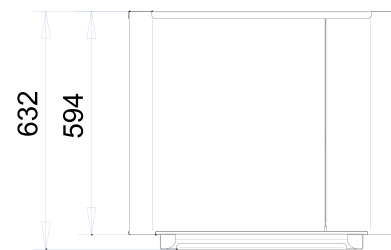
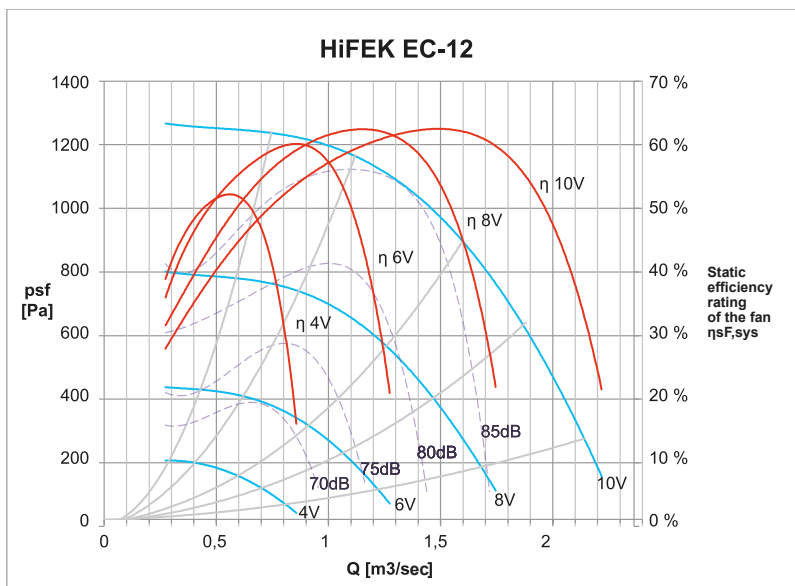
HiFEK EC-12

Air volume max	2.2 m ³ /s (200 Pa)
k value	42.8
Weight	60 kg
Fan's general coefficient of performance η_e	66.0 %
Energy efficiency target value η_{target}	55,4 %
Efficiency grade N	62

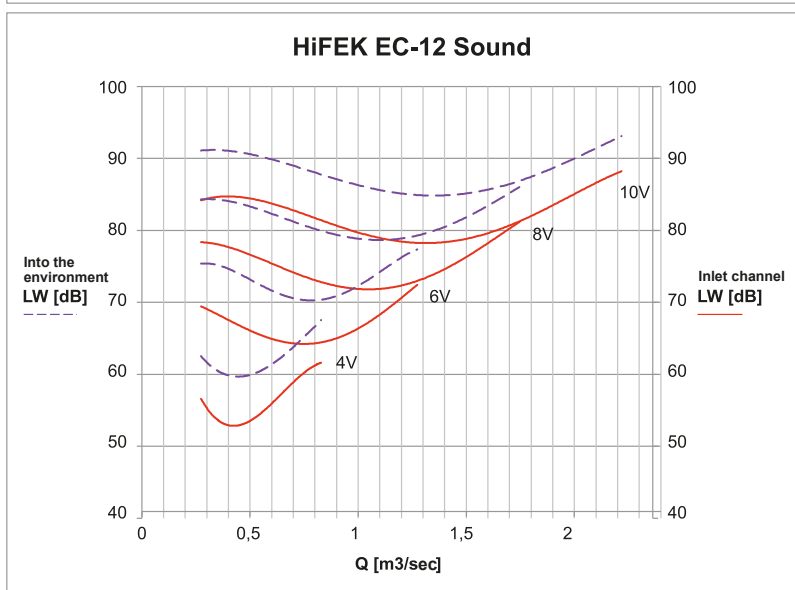
The assumption used when calculating the coefficient of performance is an integrated frequency converter. Measurement category A. Static efficiency category.

Rated values:

Speed	2400 rpm
Output	2.3 kW
Current	3.70–2.90 A (50/60 Hz, 45 °C)
Voltage	3~ 380–480 V

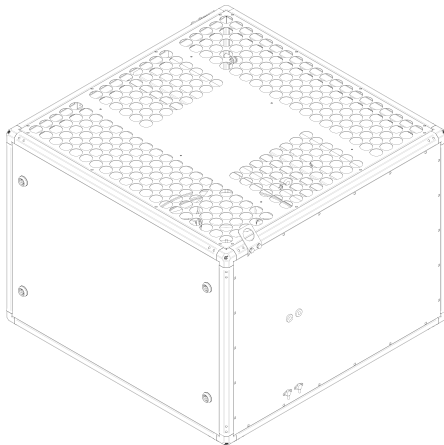


- S1 = 650 mm (dimension of the edge of the mounting plate)
- S2 = 480 mm (roof extractor's fixing points)
- d2 = 245 mm (diameter of the roof extractor's inlet aperture)
- d3 = 455 mm (diameter of the aperture in the roof extractor's installation frame)
- Equivalence of the fixing points: FEK 40



Formula for the k value: $\frac{k \cdot \sqrt{\Delta p}}{1000} = [m^3/s]$, where Δp = Differential pressure from fan's measuring nozzles (Pa)

HiFEK EC-18



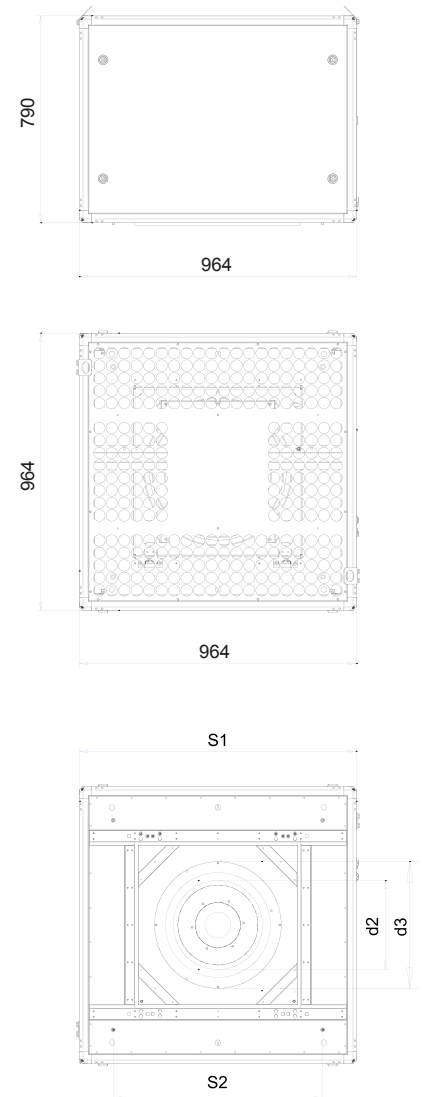
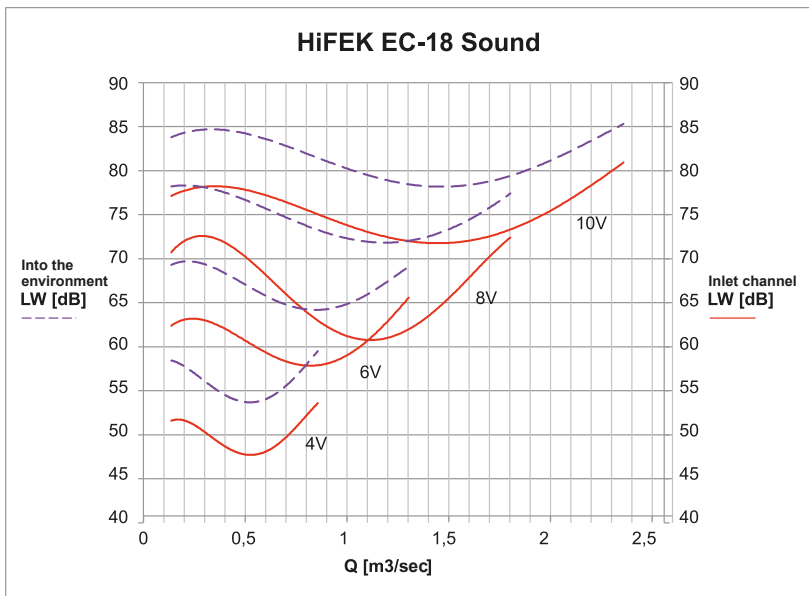
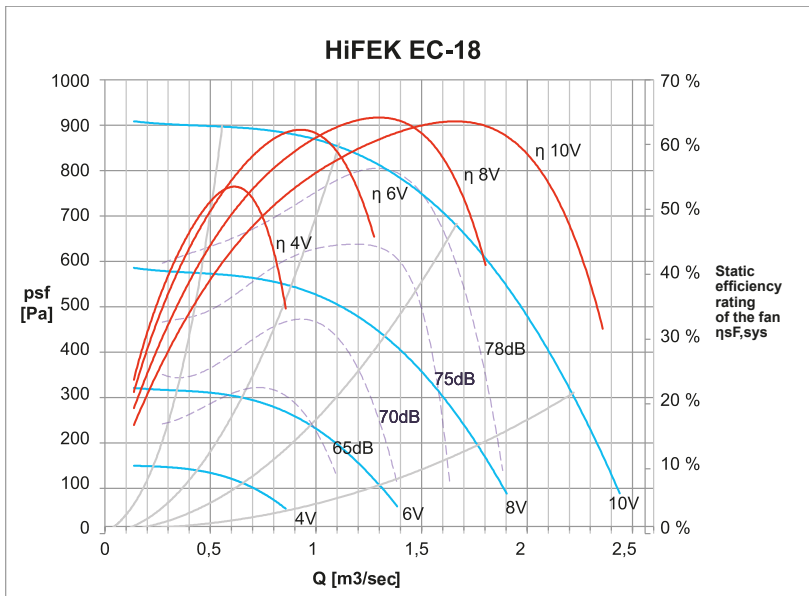
HiFEK EC-18

Air volume max	2.32 m ³ /s (200 Pa)
k value	54.7
Weight	115 kg
Fan's general coefficient of performance η_e	67.6 %
Energy efficiency target value η_{target}	54.1 %
Efficiency grade N	62

The assumption used when calculating the coefficient of performance is an integrated frequency converter. Measurement category A. Static efficiency category.

Rated values:

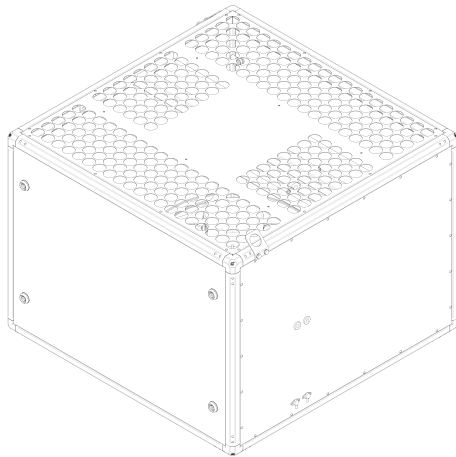
Speed	1800 rpm
Output	1.8 kW
Current	2.90–2.30 A (50/60 Hz, 40 °C)
Voltage	3~ 380–480V



- S1 = 965 mm (dimension of the edge of the mounting plate)
- S2 = 710 mm (roof extractor's fixing points)
- d2 = 278 mm (diameter of the roof extractor's inlet aperture)
- d3 = 630 mm (diameter of the HiFEK aperture)
- Equivalence of the fixing points: FEK 50

Formula for the k value: $\frac{k \times \sqrt{\Delta p}}{1000} = [m^3/s]$, where Δp = Differential pressure from fan's measuring nozzles (Pa)

HiFEK EC-24



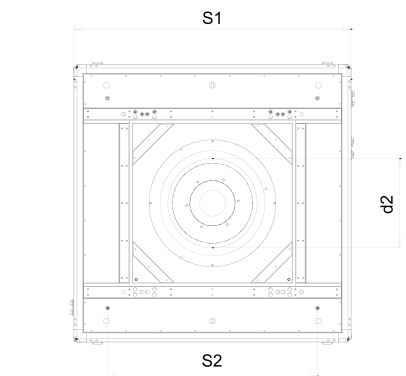
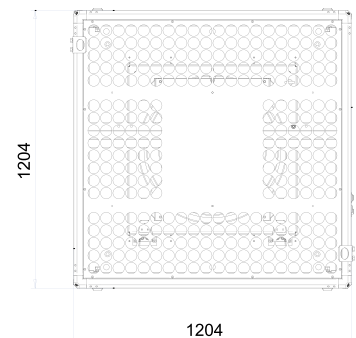
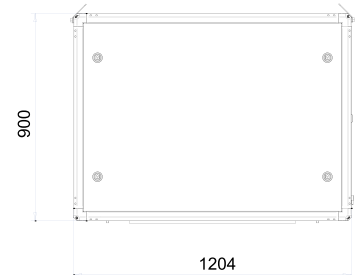
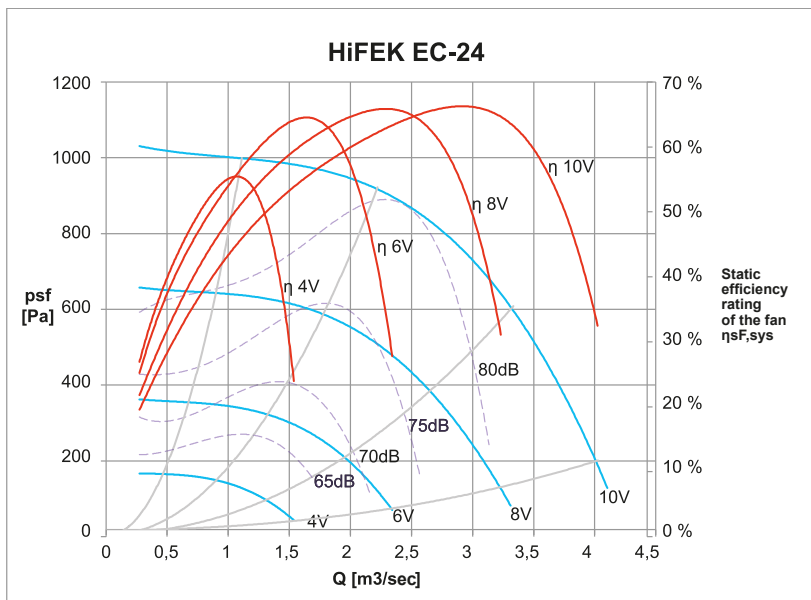
HiFEK EC-24

Air volume max	4.0 m ³ /s (200 Pa)
k value	85.6
Weight	155 kg
Fan's general coefficient of performance η_e	68.6 %
Energy efficiency target value η_{target}	57.0 %
Efficiency grade N	62

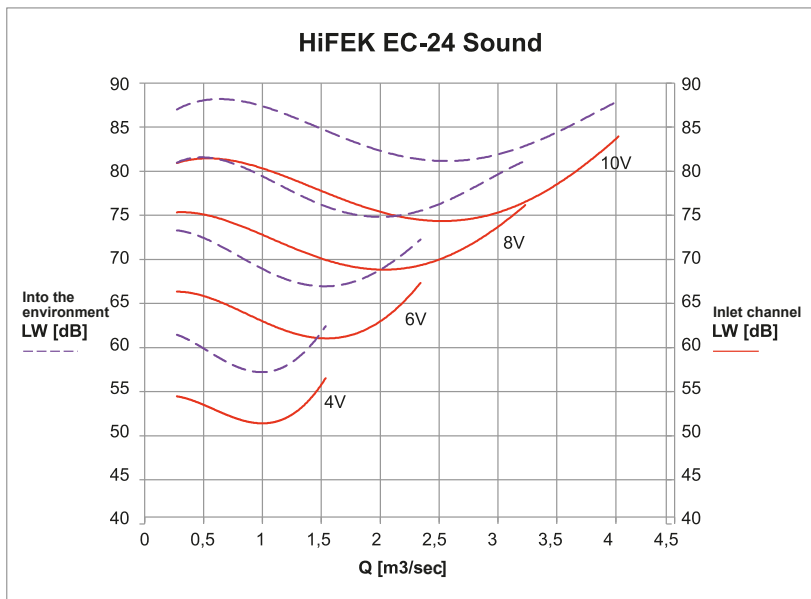
The assumption used when calculating the coefficient of performance is an integrated frequency converter. Measurement category A. Static efficiency category.

Rated values:

Speed	1550 rpm
Output	3.4 kW
Current	5.40–4.20 A (50/60 Hz, 45 °C)
Voltage	3~ 380–480 V

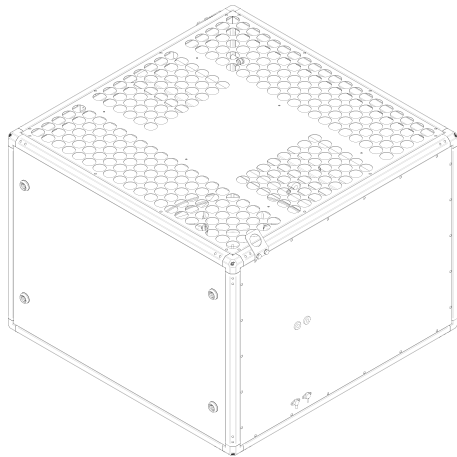


- S1 = 1200 mm (dimension of the edge of the mounting plate)
- S2 = 910 mm (roof extractor's fixing points)
- d2 = 347 mm (diameter of the roof extractor's inlet aperture)
- d3 = 630 mm (diameter of the HiFEP aperture)
- Equivalence of the fixing points: -



Formula for the k value: $\frac{k \cdot \sqrt{\Delta p}}{1000} = [m^3/s]$, where Δp = Differential pressure from fan's measuring nozzles (Pa)

HiFEK EC-36



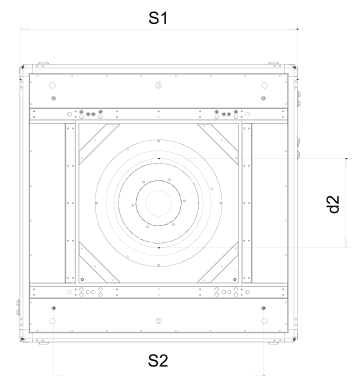
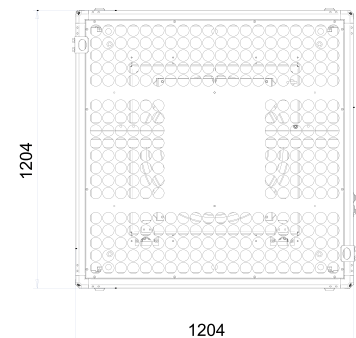
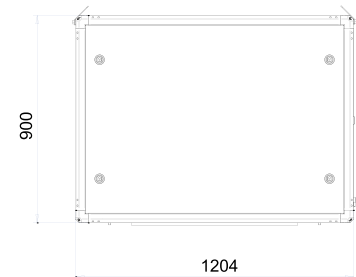
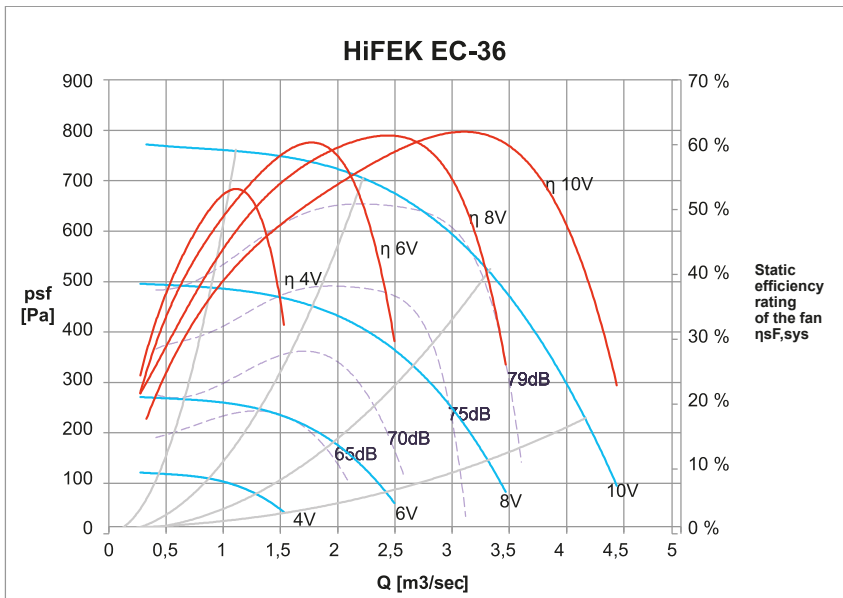
HiFEK EC-36

Air volume max	4.2 m ³ /s (200 Pa)
k value	105.8
Weight	180 kg
Fan's general coefficient of performance η_e	63.7 %
Energy efficiency target value η_{target}	56.3 %
Efficiency grade N	62

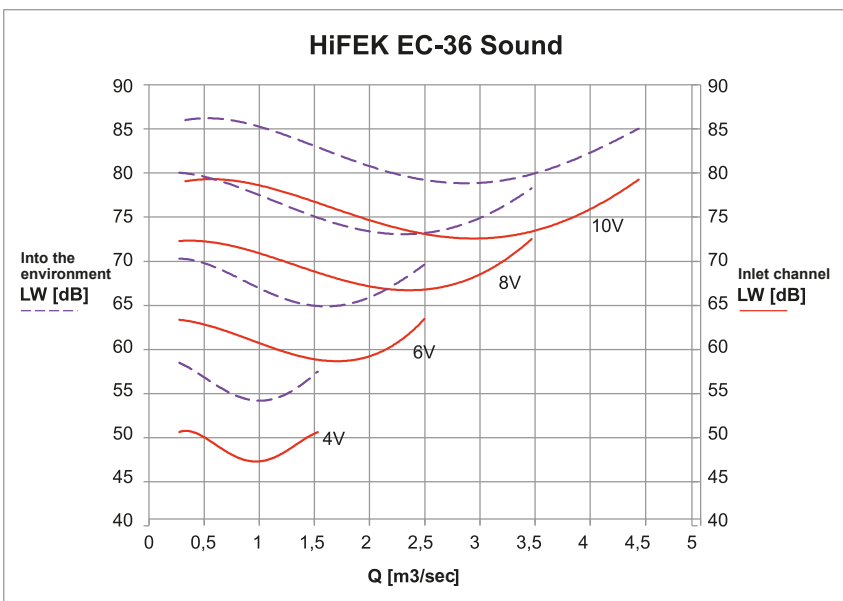
The assumption used when calculating the coefficient of performance is an integrated frequency converter. Measurement category A. Static efficiency category.

Rated values:

Speed	1200 rpm
Output	2.9 kW
Current	4.80–3.80 A (50/60 Hz, 40 °C)
Voltage	3~ 380-480 V



- S1 = 1200 mm (dimension of the edge of the mounting plate)
- S2 = 910 mm (roof extractor's fixing points)
- d2 = 388 mm (diameter of the roof extractor's inlet aperture)
- d3 = 630 mm (diameter of the HiFEP aperture)
- Equivalence of the fixing points: FEK 63



Formula for the k value: $\frac{k \times \sqrt{\Delta p}}{1000} = [m^3/s]$, where Δp = Differential pressure from fan's measuring nozzles (Pa)

HiFEK AC quick selection

HVAC code	HiFEK	qv1, m ³ /s													Motor data				HVAC code	Max current values IEC-60034-1				
		psF, Pa													n	P	I 230 V				C			
		50	75	100	125	150	175	200	225	250	275	300	350	400			450	500				rpm	kW	A
7805510	01-4(k) (*)		0,10	0,04													1450	0,03		0,64	4			0,3
7805511	02-4(k) (*)		0,19	0,17	0,13												1450	0,03		0,64	4		7805711	0,3
7805521	03-4(k) (*)		0,43	0,41	0,38	0,36	0,31	0,27									1430	0,10		1,25	10		7805721	1,25
7805525	03-4T (**)	0,49	0,47	0,46	0,44	0,42	0,40	0,37	0,35	0,31							1400	0,25	0,78				7805725	0,82
7805535	06-4T (**)	0,73	0,69	0,66	0,63	0,61	0,58	0,55	0,53	0,49	0,45	0,41	0,21				1420	0,55	1,31				7805735	1,42
7805542	09-4T (**)		1,21	1,19	1,16	1,13	1,10	1,04	1,02	0,99	0,95	0,91	0,84	0,76	0,69	0,59	1410	0,75	1,63				7805742	1,8
7805551	12-4T (**)	1,86	1,83	1,79	1,76	1,72	1,68	1,64	1,61	1,58	1,55	1,51	1,44	1,36	1,29	1,21	1440	1,50	3,26				7805751	3,52

(*) The motor can be used as a single-phase type with voltage regulation.

(**) The motor can be controlled by a frequency converter.

Please note: Can only be adjusted up to 50 Hz.

HiFEK AC

Energy-saving and silent roof extractor for offices, commercial buildings, public buildings and residential buildings

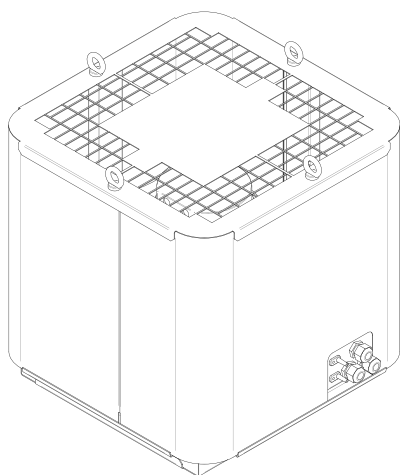
> AIR VOLUME UP TO 2 m³/sec

- The motors are reliable and user-friendly.
- Their enclosure rating is IP54 and they have a very extensive operating temperature range, from -35 to +60°C.
- Output of the roof extractors varies from 0.25 kW to 1.5 kW. The basic model is delivered completely wired with shrouded cables and connected. The roof extractors have been designed to be easy to use and connect.

The structure of the HiFEK AC roof extractors makes cleaning and maintenance of the ducts and fan easy. The installation accessories are included in the standard delivery. The standard models are manufactured from hot galvanised sheet steel. The best way to install a roof extractor is to use a HiFEP installation chimney. The standard chimneys are manufactured from hot galvanised sheet steel. The thermal insulation is rock wool. The fire rating of HiFEP installation chimneys is EI60 or EI120. The dampers and feedthrough pipes for electric cables are installed at the factory.



HiFEK AC-03 4T



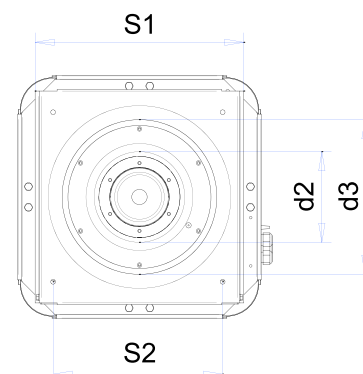
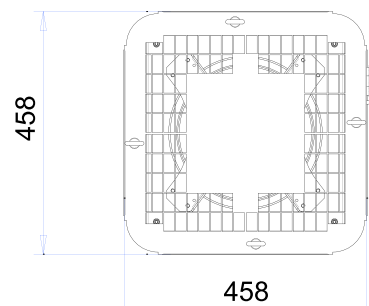
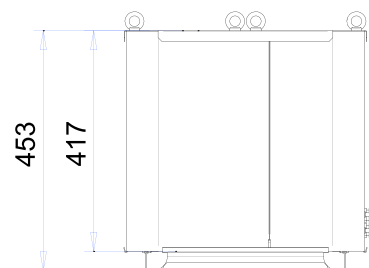
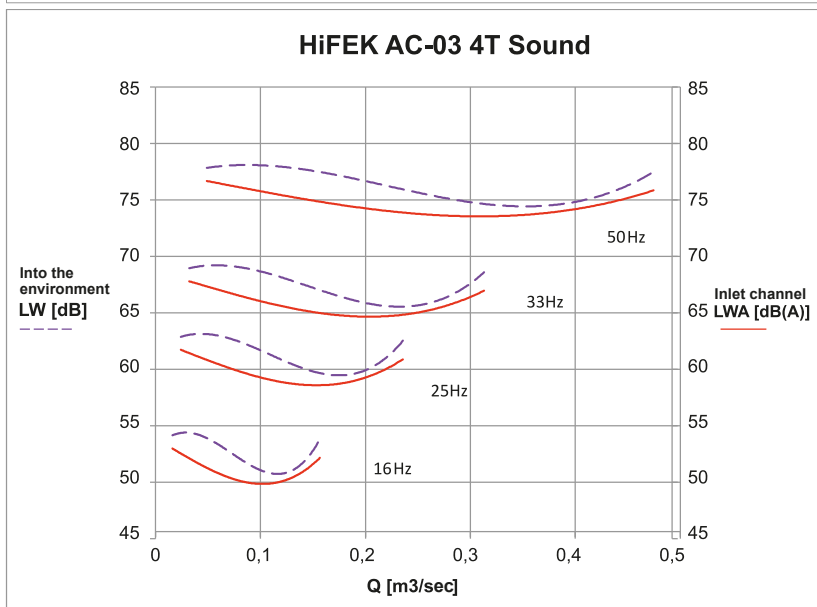
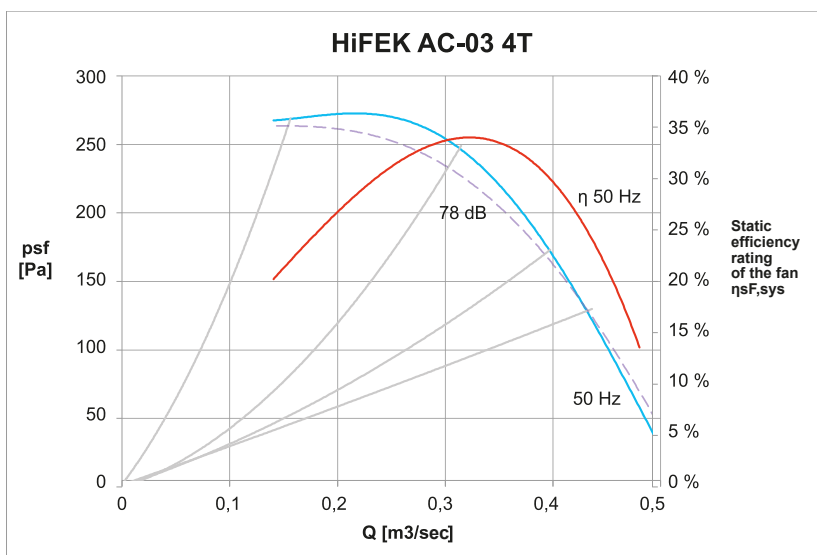
HiFEK AC-03 4T

Air volume max	0.37 m ³ /s (200 Pa)
k value	46.4
Weight	29 kg
Fan's general coefficient of performance η_e	33.63 %
Energy efficiency target value η_{target}	33.34 %
Efficiency grade N	50

The assumption used when calculating the coefficient of performance is an integrated frequency converter. Measurement category A. Static efficiency category.

Rated values:

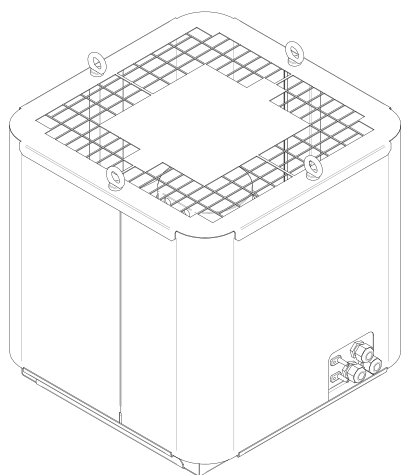
Speed	1400 rpm
Output	0.25 kW
Current	0.82 A (50 Hz, 40 °C)
Voltage	400V



- S1 = 400 mm (dimension of the edge of the mounting plate)
- S2 = 320 mm (roof extractor's fixing points)
- d2 = 226 mm (diameter of the roof extractor's inlet aperture)
- d3 = 295 mm (diameter of the aperture in the roof extractor's installation frame)
- Equivalence of the fixing points: FEK 25

Formula for the k value: $\frac{k \cdot \sqrt{\Delta p}}{1000} = [m^3/s]$, where Δp = Differential pressure from fan's measuring nozzles (Pa)

HiFEK AC-06 4T



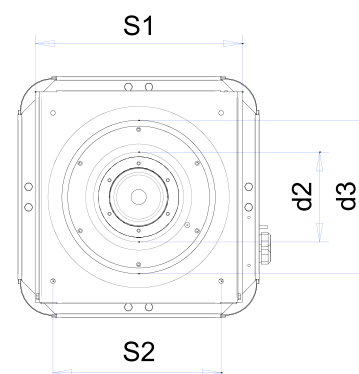
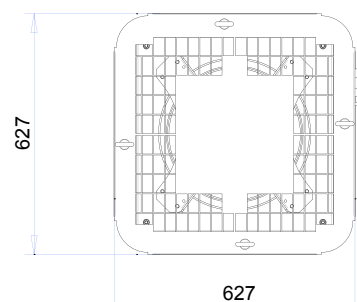
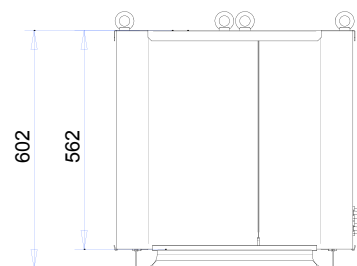
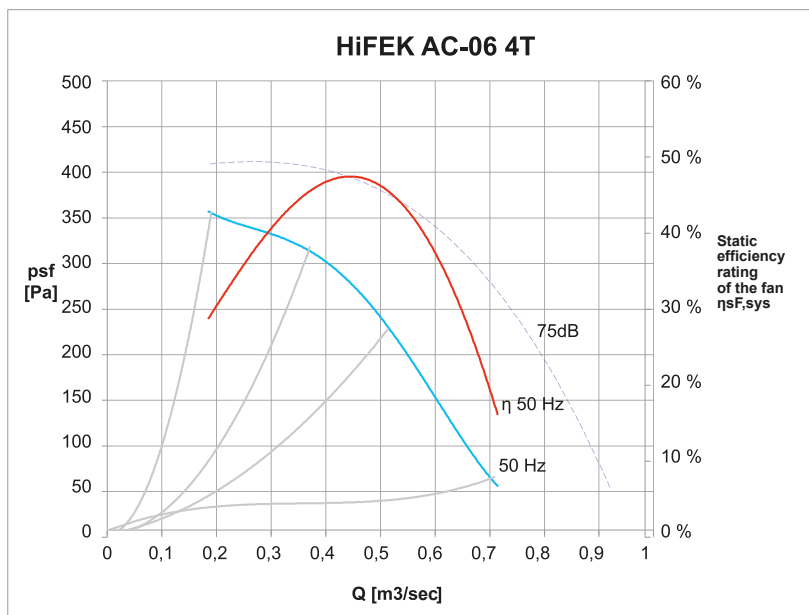
HiFEK AC-06 4T

Air volume max	0.55 m ³ /s (200 Pa)
k value	60.16
Weight	52 kg
Fan's general coefficient of performance η_e	36.7 %
Energy efficiency target value η_{target}	35.85 %
Efficiency grade N	50

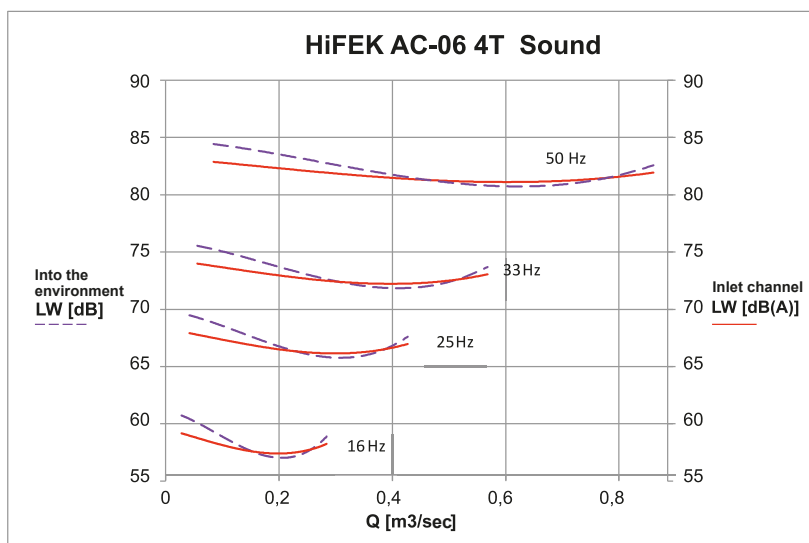
The assumption used when calculating the coefficient of performance is an integrated frequency converter. Measurement category A. Static efficiency category.

Rated values:

Speed	1430 rpm
Output	0.55 kW
Current	1.42 A (50 Hz, 40 °C)
Voltage	400 V

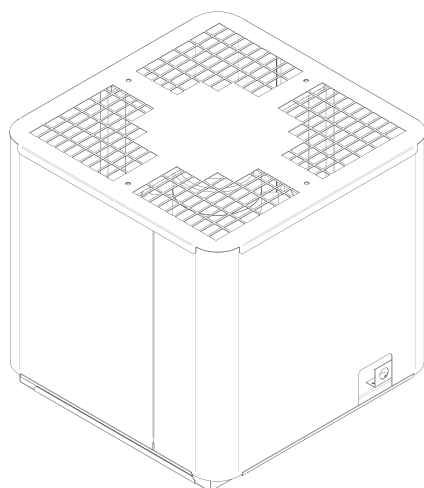


- S1 = 570 mm (dimension of the edge of the mounting plate)
- S2 = 480 mm (roof extractor's fixing points)
- d2 = 290 mm (diameter of the roof extractor's inlet aperture)
- d3 = 455 mm (diameter of the aperture in the roof extractor's installation frame)
- Equivalence of the fixing points: FEK 31



Formula for the k value: $\frac{k \times \sqrt{\Delta p}}{1000} = [m^3/s]$, where Δp = Differential pressure from fan's measuring nozzles (Pa)

HiFEK AC-09 4T



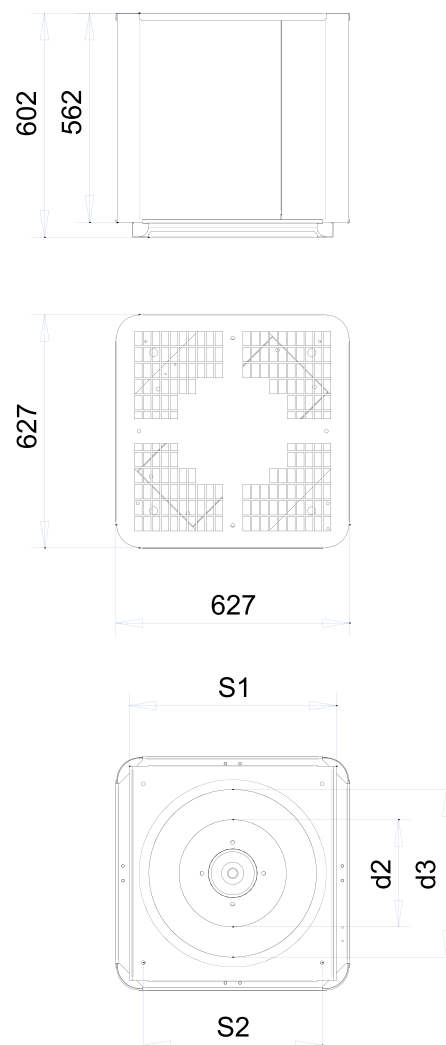
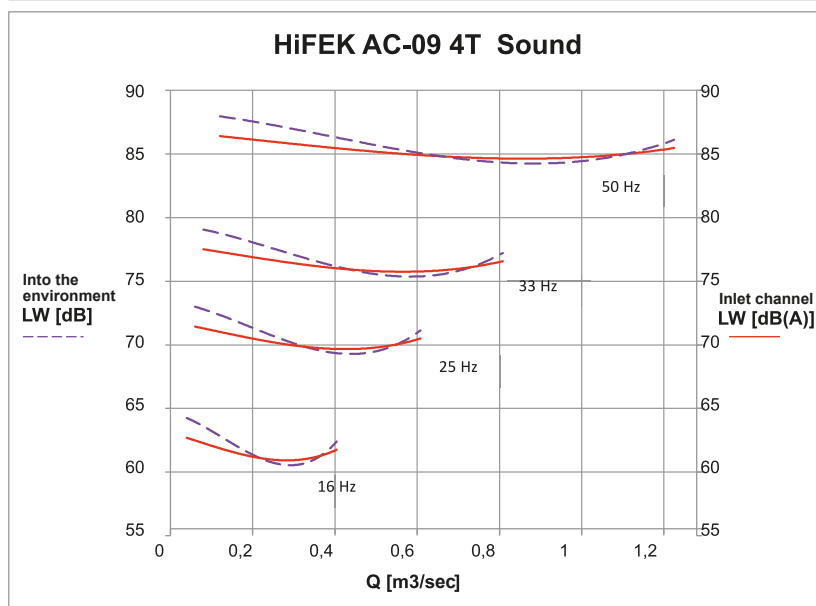
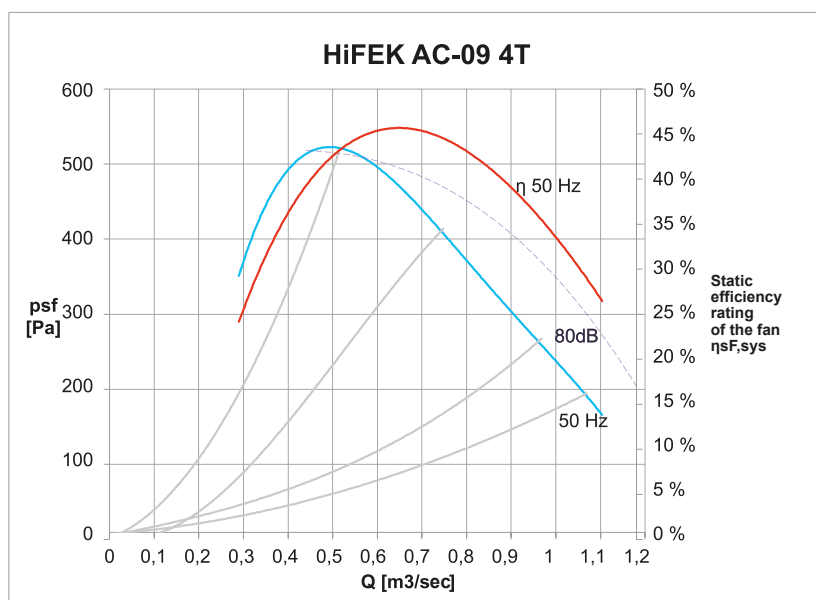
HiFEK AC-09 4T

Air volume max	1.07 m ³ /s (200 Pa)
k value	60.80
Weight	61 kg
Fan's general coefficient of performance η_e	45.09 %
Energy efficiency target value η_{target}	38.17 %
Efficiency grade N	50

The assumption used when calculating the coefficient of performance is an integrated frequency converter. Measurement category A. Static efficiency category.

Rated values:

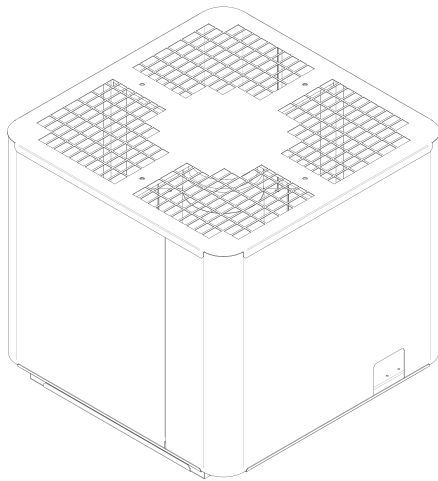
Speed	1415 rpm
Output	0.75 kW
Current	1.80 A (50 Hz, 40 °C)
Voltage	400 V



S1 = 570 mm (dimension of the edge of the mounting plate)
 S2 = 480 mm (roof extractor's fixing points)
 d2 = 325 mm (diameter of the roof extractor's inlet aperture)
 d3 = 455 mm (diameter of the aperture in the roof extractor's installation frame)
 Equivalence of the fixing points: FEK 35

Formula for the k value: $\frac{k \cdot \sqrt{\Delta p}}{1000} = [m^3/s]$, where Δp = Differential pressure from fan's measuring nozzles (Pa)

HiFEK AC-12 4T



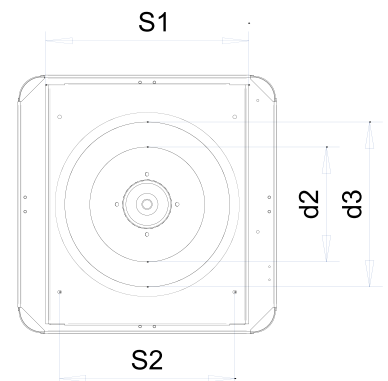
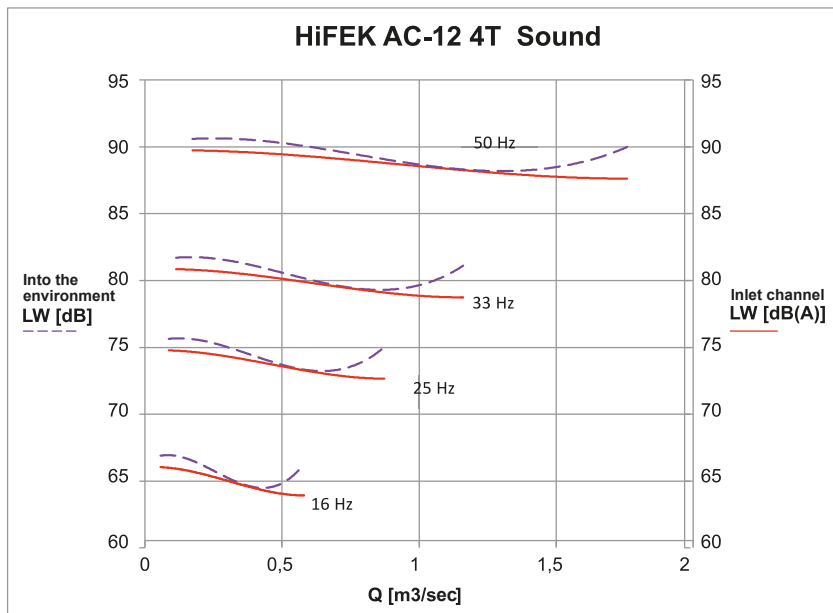
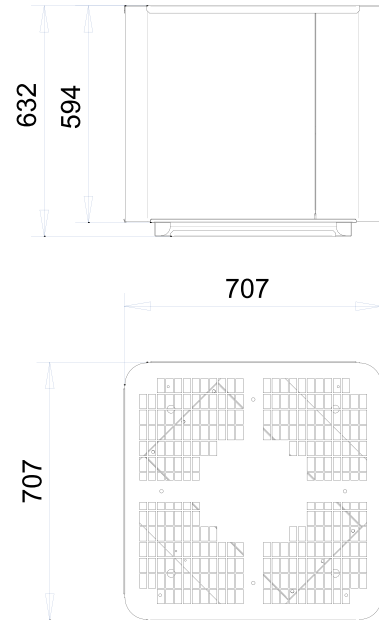
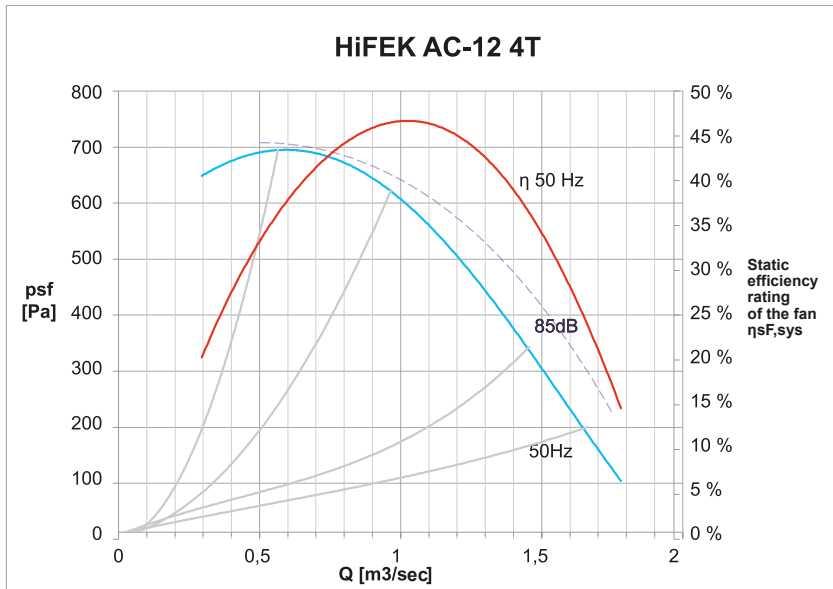
HiFEK AC-12 4T

Air volume max	1.78 m ³ /s (200 Pa)
k value	108.63
Weight	70 kg
Fan's general coefficient of performance η_e	46.12 %
Energy efficiency target value η_{target}	40.97 %
Efficiency grade N	50

The assumption used when calculating the coefficient of performance is an integrated frequency converter. Measurement category A. Static efficiency category.

Rated values:

Speed	1420 rpm
Output	1.5 kW
Current	3.52 A (50 Hz, 40 °C)
Voltage	400 V

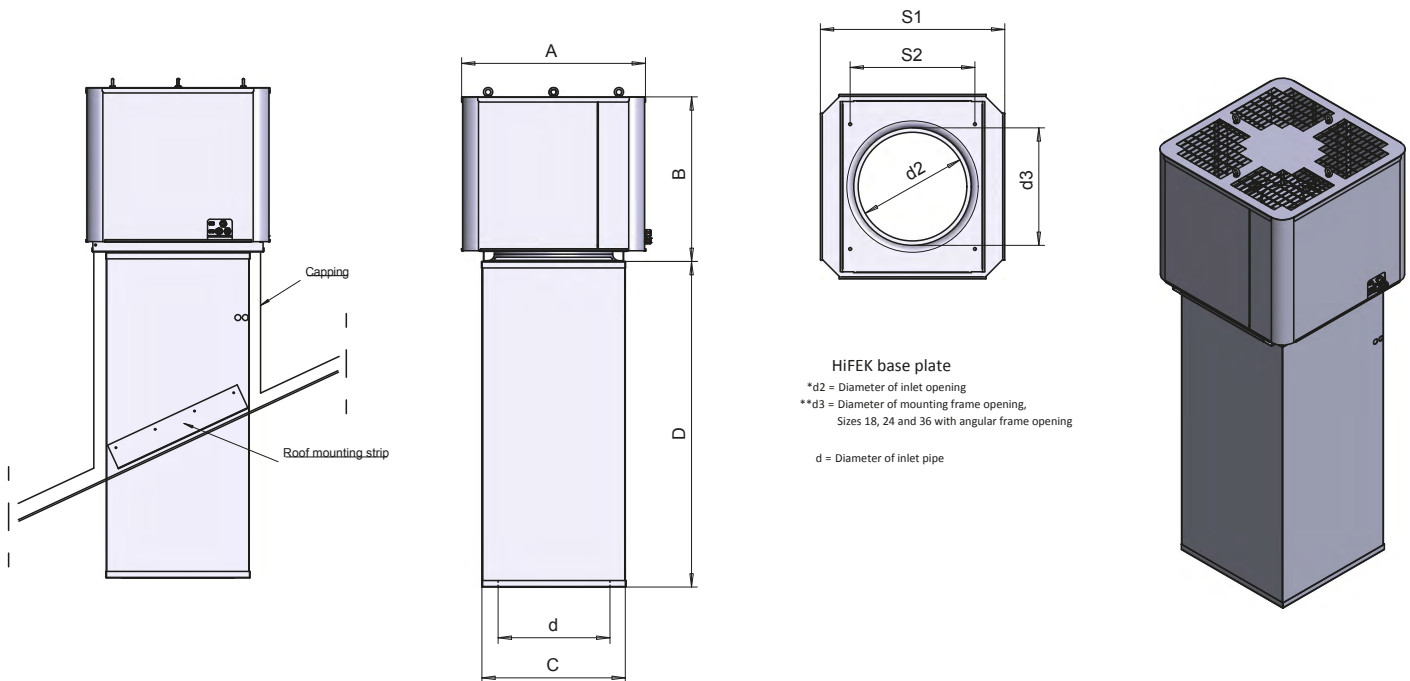


- S1 = 650 mm (dimension of the edge of the mounting plate)
- S2 = 480 mm (roof extractor's fixing points)
- d2 = 360 mm (diameter of the roof extractor's inlet aperture)
- d3 = 455 mm (diameter of the aperture in the roof extractor's installation frame)
- Equivalence of the fixing points: FEK 40

Formula for the k value: $\frac{k \cdot \sqrt{\Delta p}}{1000} = [m^3/s]$, where Δp = Differential pressure from fan's measuring nozzles (Pa)

HiFEK EC	A (mm)	B (mm)	HiFEK m (kg)	HiFEP	HiFEP m (kg)	C (mm)	D (mm)	d (mm)	S1 (mm)	S2 (mm)	d2 (mm)	d3 (mm)	HiFEP	HiFEP m (kg)	C (mm)	D (mm)	d (mm)	FEK
01	290	231	8	01/02/03 EI60	26	374	1252	250	400	320	155	295	01/02/03 EI120	37	374	1252	250	
02	458	453	22	01/02/03 EI60	26	374	1252	250	400	320	153	295	01/02/03 EI120	37	374	1252	250	20
03	458	453	26	01/02/03 EI60	26	374	1252	250	400	320	153	295	01/02/03 EI120	37	374	1252	250	25
06	627	602	42	06/09/12 EI60	60	554	1252	400	570	480	192	455	06/09/12 EI120	75	554	1252	400	31
09	627	602	46	06/09/12 EI60	60	554	1252	400	570	480	217	455	06/09/12 EI120	75	554	1252	400	35
12	707	632	60	06/09/12 EI60	60	554	1252	400	650	480	245	455	06/09/12 EI120	75	554	1252	400	40
18	964	790	115	18/24/36 EI60	108	1024	1252	630	965	710	277	630	18/24/36 EI120	132	1024	1252	630	50
24	1204	900	155	18/24/36 EI60	108	1024	1252	630	1200	910	347	630	18/24/36 EI120	132	1024	1252	630	
36	1204	900	180	18/24/36 EI60	108	1024	1252	630	1200	910	388	630	18/24/36 EI120	132	1024	1252	630	63

HiFEK AC	A (mm)	B (mm)	HiFEK m (kg)	HiFEP	HiFEP m (kg)	C (mm)	D (mm)	d (mm)	S1 (mm)	S2 (mm)	d2 (mm)	d3 (mm)	HiFEP	HiFEP m (kg)	C (mm)	D (mm)	d (mm)	FEK
03	964	790	29	01/02/03 EI60	26	374	1252	250	400	320	226	295	01/02/03 EI120	37	374	1252	250	25
06	627	602	52	06/09/12 EI60	60	554	1252	400	570	480	290	455	06/09/12 EI120	75	554	1252	400	31
09	627	602	61	06/09/12 EI60	60	554	1252	400	570	480	324	455	06/09/12 EI120	75	554	1252	400	35
12	707	632	70	06/09/12 EI60	60	554	1252	400	650	480	359	455	06/09/12 EI120	75	554	1252	400	40



Accessories

Roof penetrating damper installed

HVAC code Product

7805102	HiFEP-01/02/03-1 EI60
7805104	HiFEP-06/09/12-1 EI60
7805106	HiFEP-18/24/36-1 EI60
7805103	HiFEP-01/02/03-1 EI120
7805105	HiFEP-06/09/12-1 EI120 SAFEP 35-40
7805107	HiFEP-18/24/36-1 EI120 SAFEP 50-63

Order example

HiFEK EC-03 - a - b - c

HiFEP - 02 / 03 - a

a: 1 = Hot galvanised sheet steel

2 = Epoxy painted, exterior surface 60 µm*

3 = Epoxy painted, exterior/interior surface 60 µm*

4 = Stainless steel

b: 1 = Uninsulated

2 = Soundproof

c: 1 = No maintenance switch

2 = Maintenance switch not installed

3 = Maintenance switch installed

*According to RAL Classic basic colour chart

Maintenance switch

HVAC code Product

7805911	HiFEK maintenance switch, not installed (230 V)
7805912	HiFEK maintenance switch, not installed (400 V)
7805010	HiFEK maintenance switch, installed (230 V)
7805011	HiFEK maintenance switch, installed (400 V)

Two-speed accessory

HVAC code Product

7805024	HiFEK EC contactor enclosure (two-speed)
7805028	Modbus RTU-adapter ziehl (EC 09-36)





Tel. +358 3 282 5111 • koja@koja.fi
www.koja.com

