

Receiver

From

Society
Reference
Address
Phone
Fax
E-mail

Item n° : 60209375
Customer pos. no.:

Model :
DIVERTRON 650 M

Pump data

Pressure rating :
Min. fluid temperature : 0 °C
Max. fluid temperature : 40 °C
Max. Ambient temperature :

Requested data

Flow :
Head :
Fluid : Water
Fluid Temperature : 20 °C
Density : 998,3 kg/m³
Kinematic viscosity : 1,005 mm²/s
Vapor pressure : 0,00234 MPa

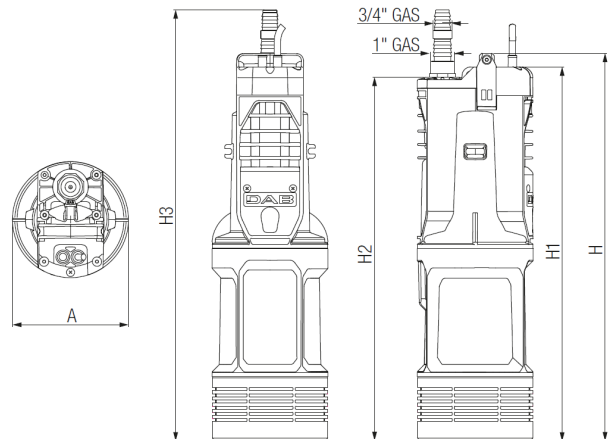
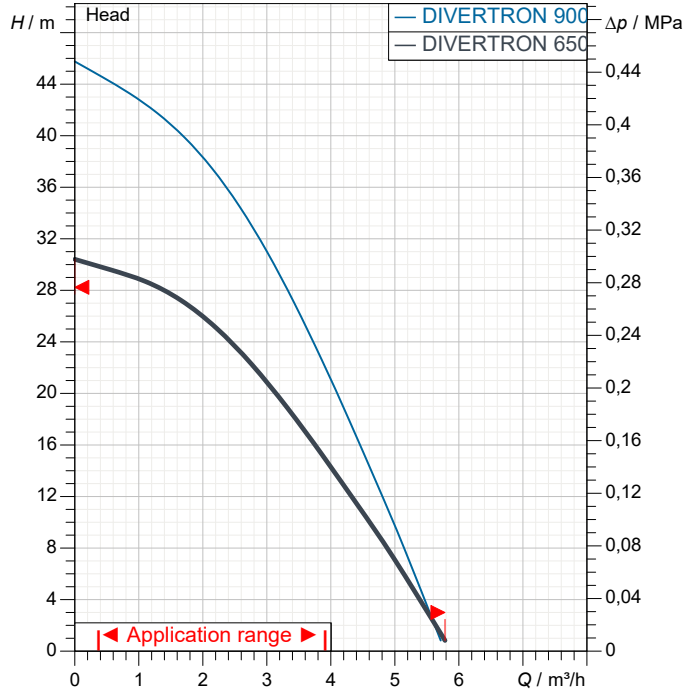
Hydraulic data (duty point)

Flow :
Head :

Materials

Base	Technopolymer
Inspection cap	EPDM
Nut	Stainless Steel A2
Stage housing	Technopolymer
Wear ring	Technopolymer
Washer	Stainless Steel A2
Diffuser	Technopolymer

Curve tolerance according to ISO 9906



Motor data

Motor brand : DAB
Nominal power P2 : 0,42 kW
Rated voltage : 1~ 220-240 V
Nominal current : 2,9 A
Number of poles : 2
Rated speed : 2.800 1/min
Degree of protection : IP 68

Weight : 9,5 kg

Dimensions in mm

A	160				
H	488				
H1	469				
H2	455				
H3	548				

Pump connection

Suction side : /
Discharge side : 1" G / --



PERFORMANCE CURVES

2022-12-12

Page 2 / 3

DAB PUMPS S.p.A.
Via Marco Polo, 14 - 35035 Mestrino (PD), Italy
Tel. +39 049 5125000 - Fax +39 049 5125950
www.dabpumps.com

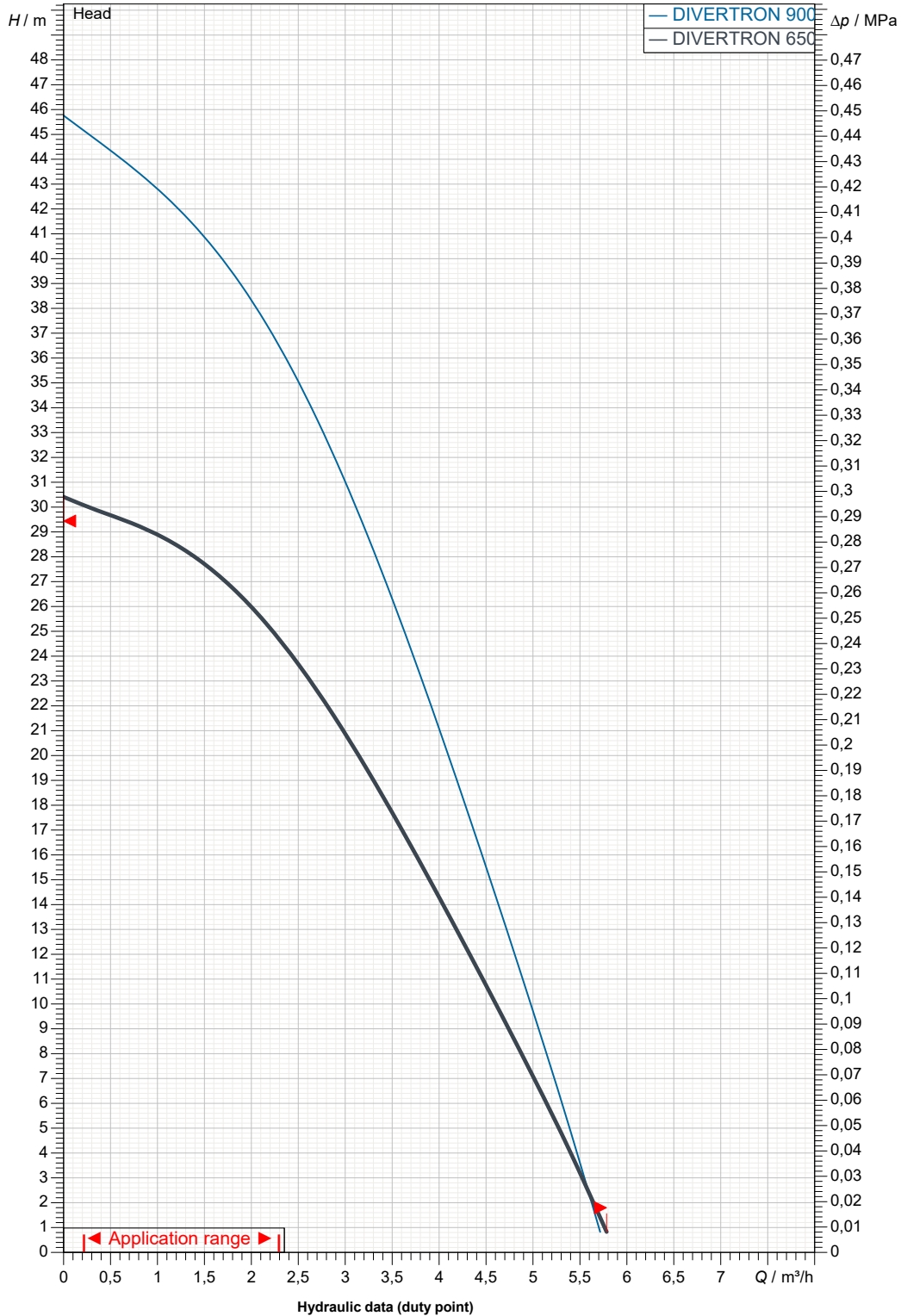
Receiver

From

Society
Reference
Address
Phone
Fax
E-mail

DIVERTRON 650 M

Curve tolerance according to ISO 9906



Suction side :

Discharge side :
1" G
--

Flow :

Head :

Rated speed :
2.800 1/min

MAIN_PROJECT_TITLE

BUSINESS_PROCESS_ID

OWNER_

ISSUE_DATE
2022-12-12



DIMENSIONAL DRAWING

2022-12-12

Page 3 / 3

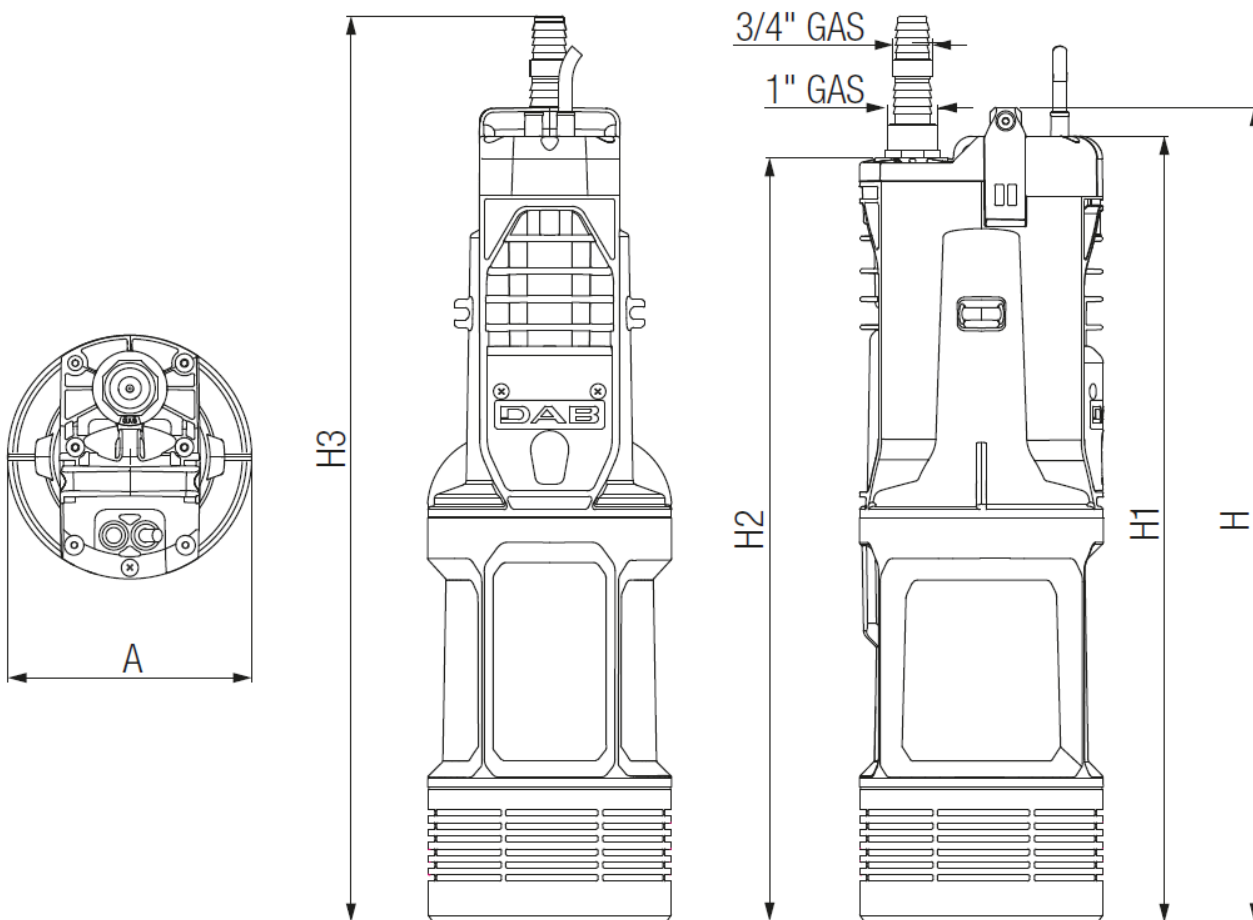
DAB PUMPS S.p.A.
Via Marco Polo, 14 - 35035 Mestrino (PD), Italy
Tel. +39 049 5125000 - Fax +39 049 5125950
www.dabpumps.com

Receiver

From

Society
Reference
Address
Phone
Fax
E-mail

DIVERTRON 650 M



Dimensions in mm

Pump connection

1
2
3
4
5
6
7
8
9
10
11

A	160
H	488
H1	469
H2	455
H3	548

Suction

Discharge

1" G

--

MAIN_PROJECT_TITLE

BUSINESS_PROCESS_ID

OWNER_

ISSUE_DATE

2022-12-12