

EAN: 6414150051104

www.oras.com/en/products/oras/product/431415

Garden valve, non-freezing L = 250 - 450 mm DN 15 \varnothing Cu 15 Recommendation for dimensioning 0.2 l/s/160 kPa

- Garden
- Wall mounted

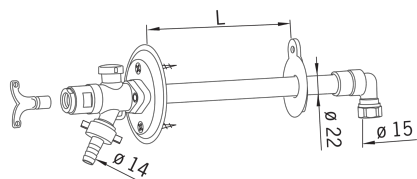
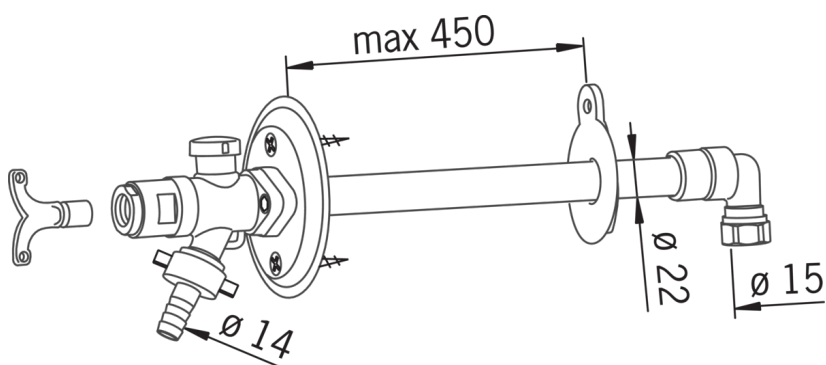
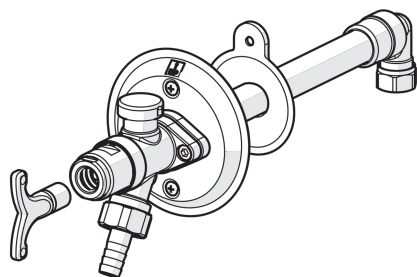
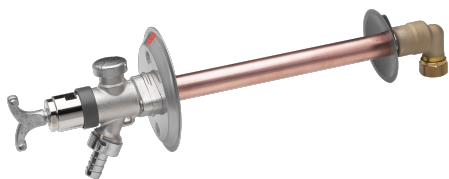
Technical data

Technical properties

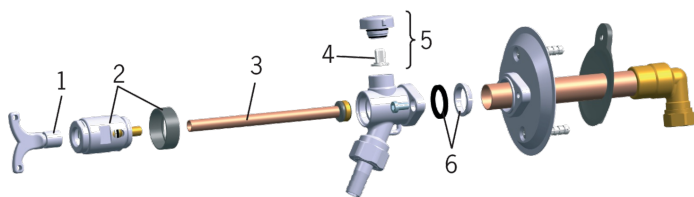
DN-size (nominal dimension) **DN15**

Type approvals

STF certificate **STF VTT-RTH-00105-11**



Spare parts



SP431415

	Code
01	438126
02	438382V
03	438383V
03	438386V
04	438124
05	438090
06	438361V