

## AXOR ShowerSolutions

### Basic set/ waterconducting unit for shelf 240/120 for concealed installation

Surfaces: n.a. Article Number: 40878180



#### Description

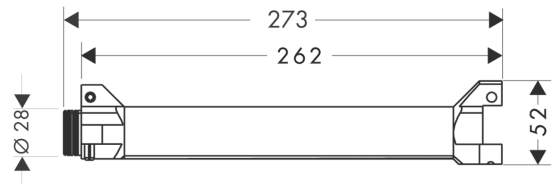
##### product features

- in a joined installation it serves as a waterconducting unit, allows dimensionally accurate positioning. In combination with: no.40873000
- ACS 16 ACC LY 346, valide jusqu'au 06.01.2021
- MASS/Massachusetts

#### Product image



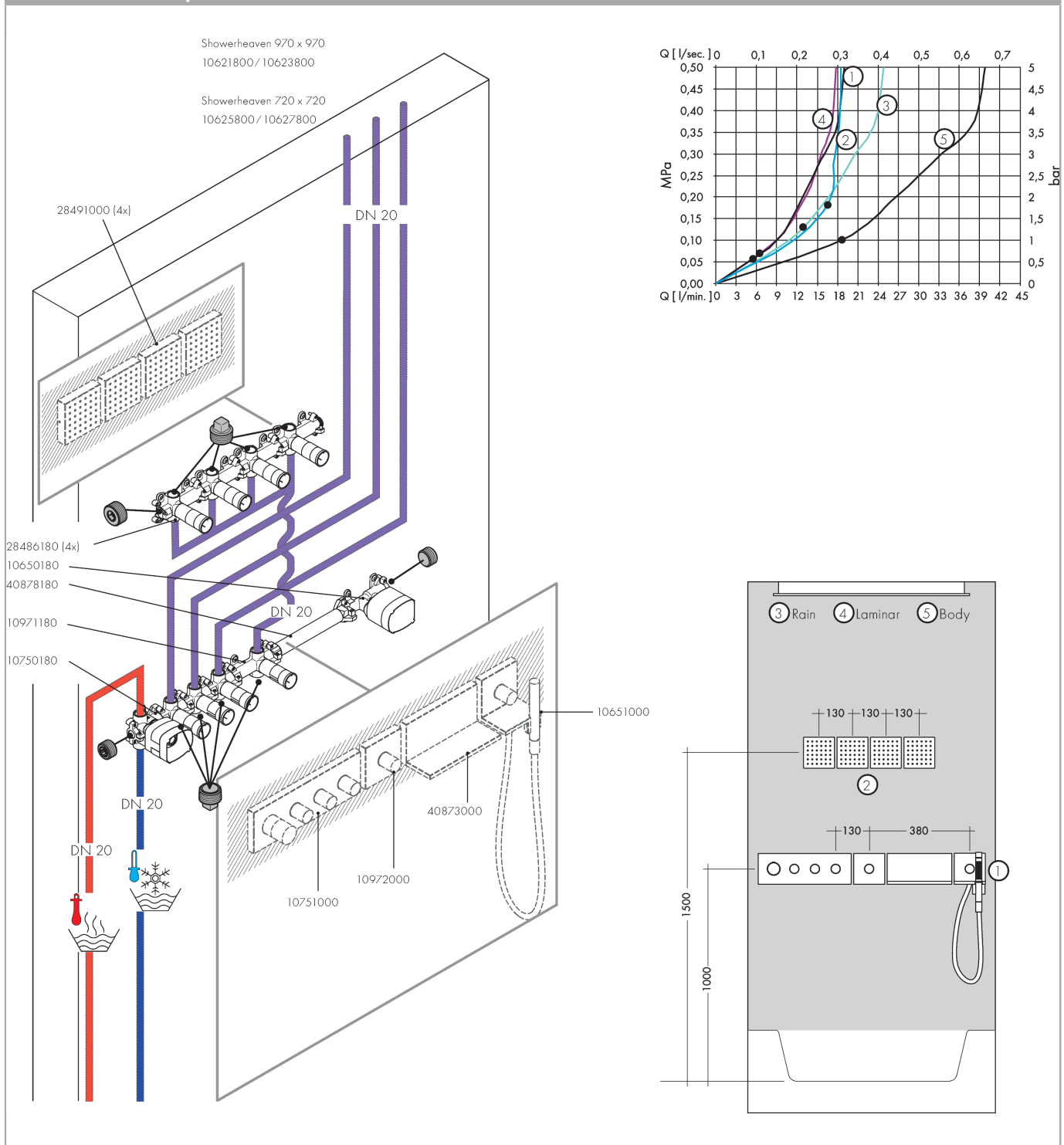
#### Scale drawing



**AXOR ShowerSolutions**  
**Basic set/ waterconducting unit for shelf 240/120 for concealed installation**  
 Surfaces: n.a. Article Number: 40878180



**Installation examples**

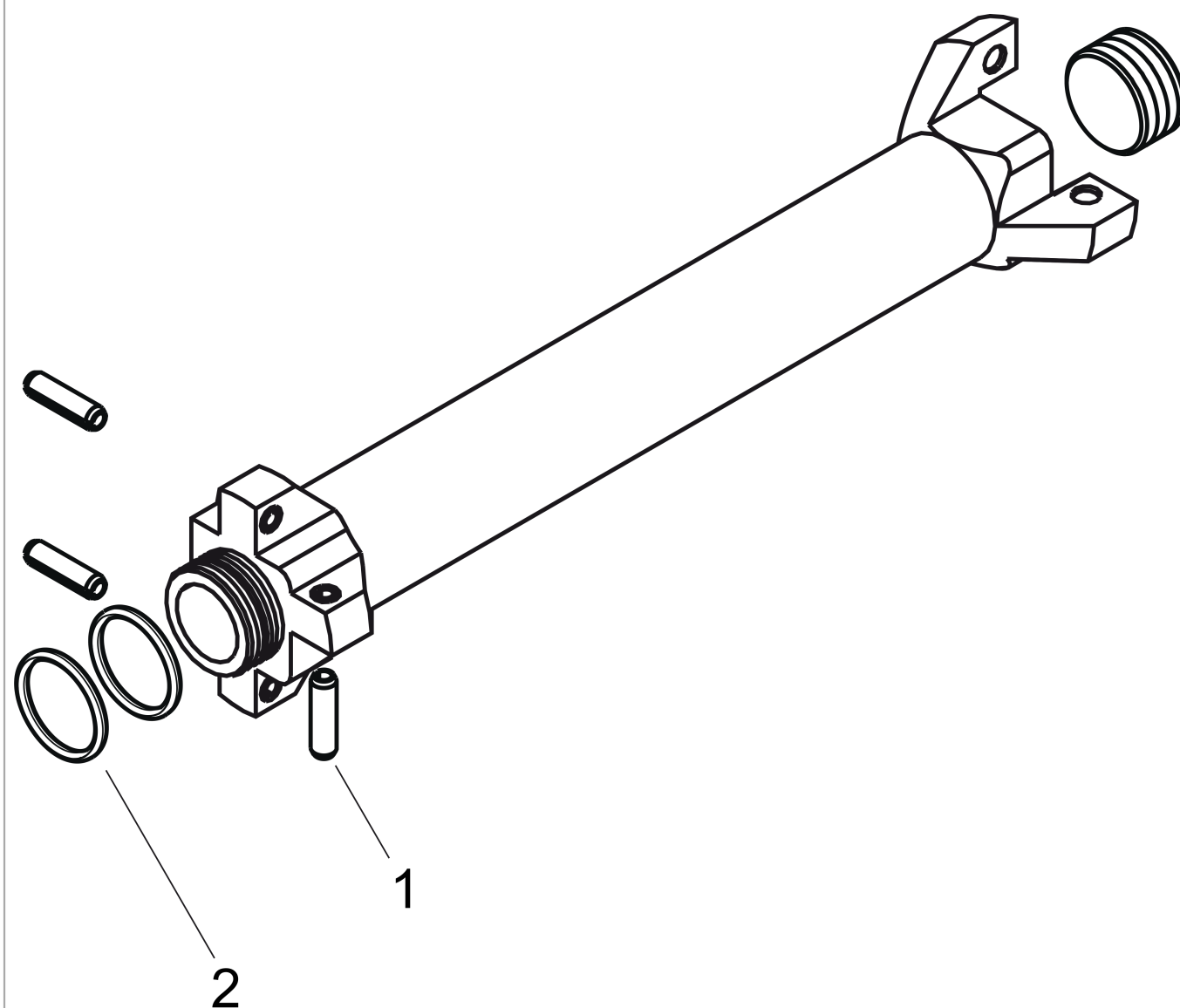


**AXOR ShowerSolutions**  
**Basic set/ waterconducting unit for shelf 240/120 for concealed installation**  
Surfaces: n.a. Article Number: 40878180



## Exploded Drawing

Year of production: >01/09



## AXOR ShowerSolutions

**Basic set/ waterconducting unit for shelf 240/120 for concealed installation**

Surfaces: n.a. Article Number: **40878180**



### Spare part list

Year of production: >01/09

Pos.	Description	Article Number	PC	PU
1	pin	95334000	5	1
2	O-Ring 23x2,5	98183000	1	1