

AXOR ShowerSolutions

Shelf 120/120

Surfaces: **Chrome** Article Number: **40872000**



Description

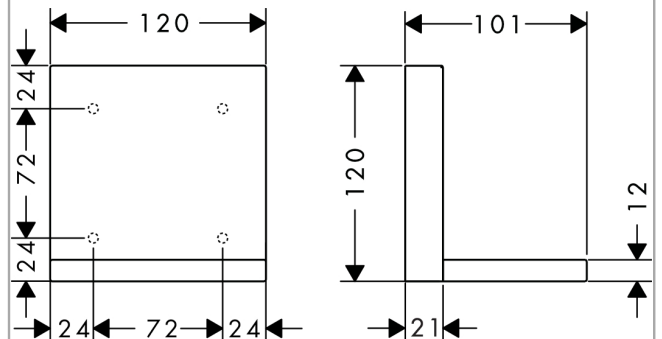
product features

- material: metal
- when positioning the shelf between waterconducting parts (no.10755000, no.10751000, no.10942000, no.10972000, no.10651000, no.28491000) in joined installation (10 mm distance), it is recommended to use basic set no.40877180
- suitable for installation with or without basic set no.40877180
- for use with either vertical or horizontal installation of the basic set

Product image



Scale drawing



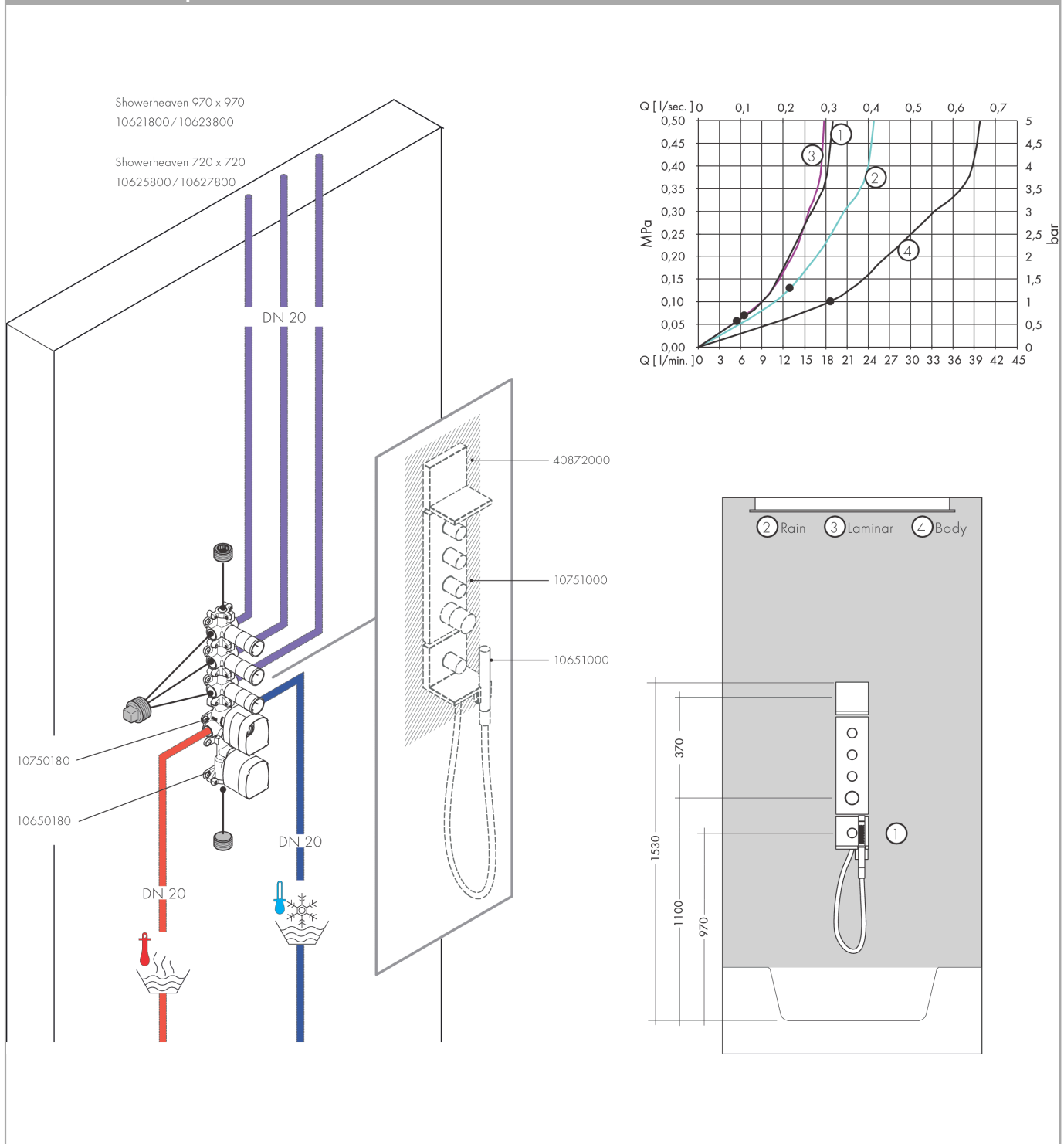
AXOR ShowerSolutions

Shelf 120/120

Surfaces: **Chrome** Article Number: **40872000**



Installation examples



AXOR ShowerSolutions

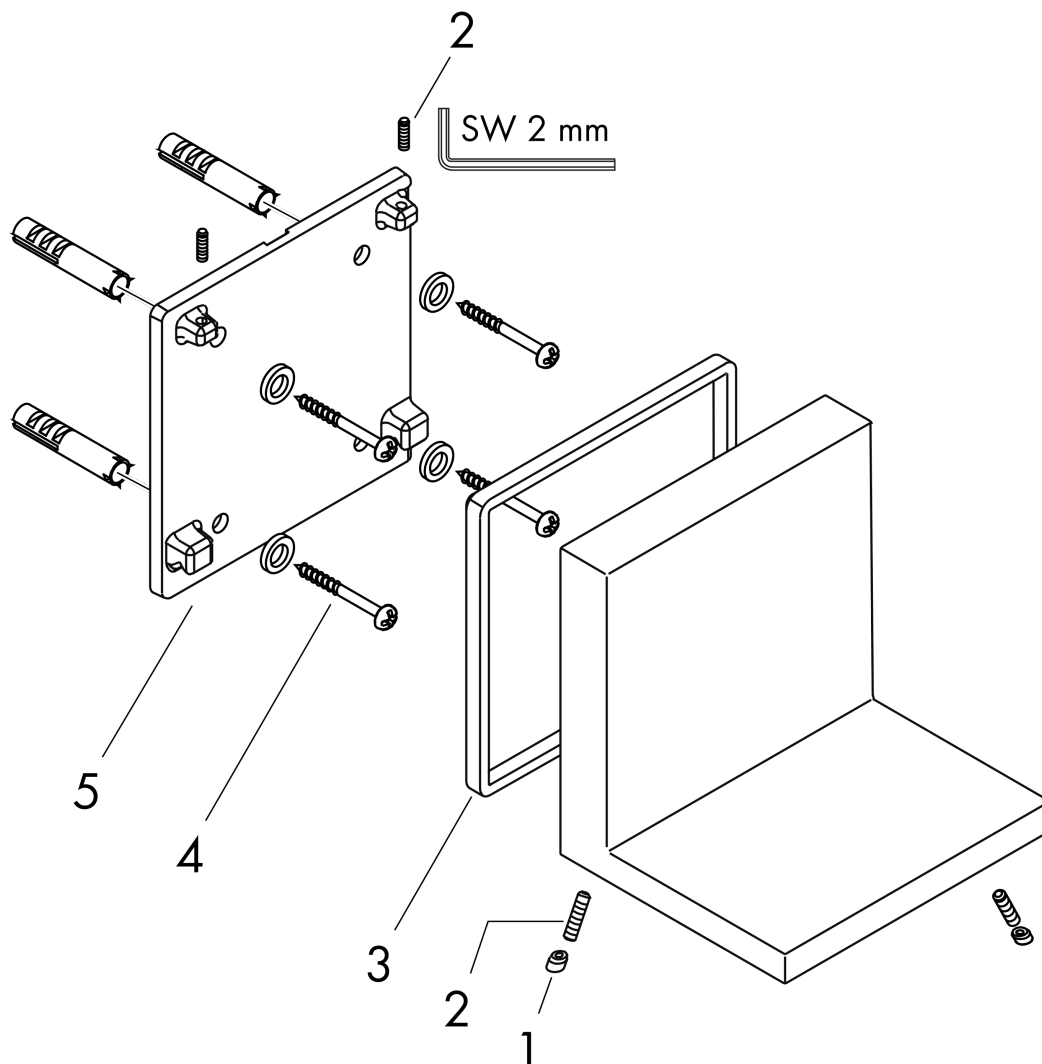
Shelf 120/120

Surfaces: **Chrome** Article Number: **40872000**



Exploded Drawing

Year of production: >01/09



AXOR ShowerSolutions

Shelf 120/120

Surfaces: **Chrome** Article Number: **40872000**



Spare part list

Year of production: >01/09

Pos.	Description	Article Number	PC	PU
1	screw cover	96338000	1	1
2	hollow set screw M4x16	97663000	1	1
3	seal	97737000	3	1
4	mounting set	96179000	4	1
5	support element	95312000	19	1