



## Product family datasheet

### Technical data

#### Electrical data

Product description	Nominal voltage	Mains frequency	Input voltage AC	Total harmonic distortion	Power factor $\lambda$	ECG efficiency
ELEMENT 30/220...240/24	220...240 V	50...60 Hz	198...264 V	< 20 %	> 0.90	86 %
ELEMENT 60/220...240/24	220...240 V	50...60 Hz	198...264 V	< 20 %	> 0.90	86 %
ELEMENT 90/220...240/24	220...240 V	50...60 Hz	198...264 V	< 20 %	> 0.90	87 %

Product description	Device power loss	Protective conductor current	Inrush current	Max. ECG no. on circuit breaker 10 A (B)	Max. ECG no. on circuit breaker 16 A (B)
ELEMENT 30/220...240/24	4.2 W	<0.7 mA	<8 A	17	28
ELEMENT 60/220...240/24	8.4 W	<0.7 mA	< 23 A	10	16
ELEMENT 90/220...240/24	11.7 W	<0.7 mA	< 43 A	9	11

Product description	Max. ECG no. on circuit breaker 25 A (B)	Surge capability (L/N-Ground)	Surge capability (L-N)	Nominal output voltage
ELEMENT 30/220...240/24	47	1 kV	1 kV	24 V
ELEMENT 60/220...240/24	27	1 kV	1 kV	24 V
ELEMENT 90/220...240/24	18	1 kV	1 kV	24 V

Product description	U-OUT (working voltage)	Nominal output power	Galvanic isolation	Galvanic isolation primary/secondary
ELEMENT 30/220...240/24	24 V	30 W	SELV	3 kV
ELEMENT 60/220...240/24	24 V	60 W	SELV	3 kV
ELEMENT 90/220...240/24	24 V	90 W	SELV	3 kV

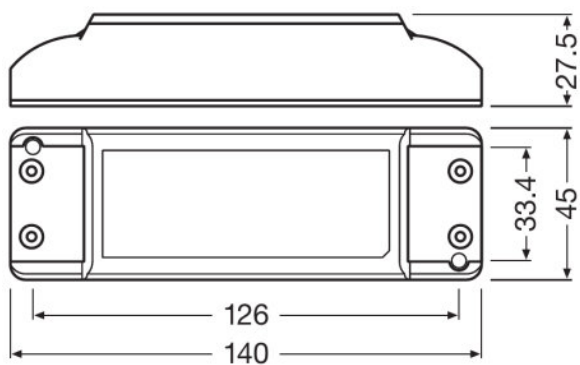
#### Dimensions & weight

Product description	Length	Height	Product weight	Cable cross-section, input side	Cable cross-section, output side
ELEMENT 30/220...240/24	140.0 mm	27.5 mm	145.00 g	0.75...1.5 mm <sup>2</sup>	0.75...1.5 mm <sup>2</sup>
ELEMENT 60/220...240/24	238.9 mm	30.0 mm	205.00 g	0.75...1.5 mm <sup>2</sup>	0.75...1.5 mm <sup>2</sup>
ELEMENT 90/220...240/24	230.0 mm	35.0 mm	564.00 g	0.75...1.5 mm <sup>2</sup>	0.75...1.5 mm <sup>2</sup>

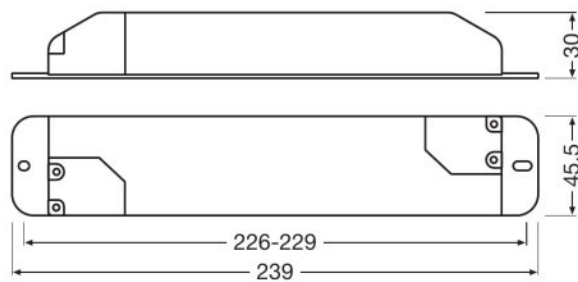
Product description	Wire preparation length, input side	Wire preparation length, output side
ELEMENT 30/220...240/24	8.0 mm	8.0 mm
ELEMENT 60/220...240/24	8.0 mm	8.0 mm
ELEMENT 90/220...240/24	8.0 mm	8.0 mm

## Product family datasheet

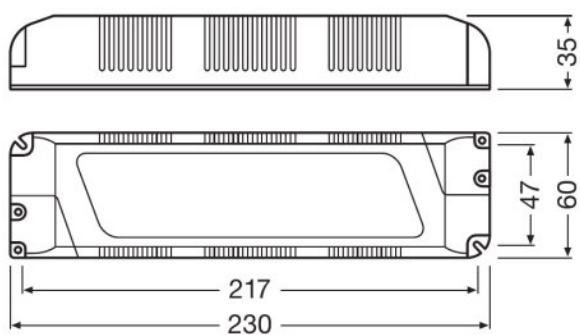
### Product line drawing



ELEMENT 30/220...240/24



ELEMENT 60/220...240/24



ELEMENT 90/220...240/24

## Product family datasheet

### Colors & materials

Product description	Casing material
ELEMENT 30/220...240/24	Plastic
ELEMENT 60/220...240/24	Plastic
ELEMENT 90/220...240/24	Plastic

### Temperatures & operating conditions

Product description	Ambient temperature range	Maximum temperature at tc test point	Max.housing temperature in case of fault	Permitted rel. humidity during operation
ELEMENT 30/220...240/24	-20...+45 °C	85 °C	110 °C	5...85 % <sup>1)</sup>
ELEMENT 60/220...240/24	-20...+50 °C	85 °C	110 °C	5...85 % <sup>1)</sup>
ELEMENT 90/220...240/24	-20...+50 °C	85 °C	110 °C	5...85 % <sup>1)</sup>

<sup>1)</sup> Maximum 56 days/year at 85 %

### Lifespan

Product description	ECG lifetime
ELEMENT 30/220...240/24	50000 h <sup>1)</sup>
ELEMENT 60/220...240/24	50000 h <sup>1)</sup>
ELEMENT 90/220...240/24	50000 h <sup>1)</sup>

<sup>1)</sup>  $T_c = 75^\circ\text{C}$ , with max. 10% failure rate

### Additional product data

Product description	Encapsulated
ELEMENT 30/220...240/24	Yes
ELEMENT 60/220...240/24	Yes
ELEMENT 90/220...240/24	Yes

### Capabilities

Product description	Dimmable	Overheating protection	Overload protection
ELEMENT 30/220...240/24	No	Yes	Yes
ELEMENT 60/220...240/24	No	Yes	Yes
ELEMENT 90/220...240/24	No	Yes	Yes

Product description	Short-circuit protection	No-load proof	Max. cable length to lamp/LED module	Suitable for fixtures with prot. class
ELEMENT 30/220...240/24	Yes	Yes	3.0 m	II
ELEMENT 60/220...240/24	Yes	Yes	3.0 m	II
ELEMENT 90/220...240/24	Yes	Yes	3.0 m	II

## Product family datasheet

Product description	Type of connection, output side
ELEMENT 30/220...240/24	Fixed connection (terminal)
ELEMENT 60/220...240/24	Fixed connection (terminal)
ELEMENT 90/220...240/24	Fixed connection (terminal)

### Certificates & standards

Product description	Approval marks – approval
ELEMENT 30/220...240/24	CE
ELEMENT 60/220...240/24	CE
ELEMENT 90/220...240/24	CE

Product description	Standards	Protection class
ELEMENT 30/220...240/24	Acc. to IEC 61347-1/Acc. to IEC 61347-2-13/Acc. to IEC 62384/Acc. to IEC 61000-3-2/Acc. to CISPR 15/Acc. to IEC 61000-3-3/Acc. to IEC 61547	II
ELEMENT 60/220...240/24	Acc. to IEC 61347-1/Acc. to IEC 61347-2-13/Acc. to IEC 62384/Acc. to IEC 61000-3-2/Acc. to CISPR 15/Acc. to IEC 61000-3-3/Acc. to IEC 61547	II
ELEMENT 90/220...240/24	Acc. to IEC 61347-1/Acc. to IEC 61347-2-13/Acc. to IEC 62384/Acc. to IEC 61000-3-2/Acc. to CISPR 15/Acc. to IEC 61000-3-3/Acc. to IEC 61547	II

Product description	Type of protection
ELEMENT 30/220...240/24	IP20
ELEMENT 60/220...240/24	IP20
ELEMENT 90/220...240/24	IP20

### Logistical data

Product description	Temperature range at storage
ELEMENT 30/220...240/24	-40...85 °C
ELEMENT 60/220...240/24	-40...85 °C
ELEMENT 90/220...240/24	-40...85 °C

### Application advice





For more detailed application information and graphics please see product datasheet.

### Sales and Technical Support

Sales and Technical Support [www.osram.com](http://www.osram.com)

## Product family datasheet

### Download Data

File	
	Product Datasheet 728237_Datasheet ELEMENT 3024
	Declarations of conformity 727241_EC ELEMENT
	Product Datasheet 728238_Datesheet ELEMENT 6024
	Product Datasheet 728239_Datesheet ELEMENT 9024

### Logistical Data

Product code	Product description	Packaging unit (Pieces/Unit)	Dimensions (length x width x height)	Volume	Gross weight
4052899463776	ELEMENT 30/220...240/24	Shipping carton box 20	242 mm x 153 mm x 162 mm	6.00 dm <sup>3</sup>	3180.00 g
4052899463790	ELEMENT 60/220...240/24	Shipping carton box 20	255 mm x 244 mm x 177 mm	11.01 dm <sup>3</sup>	4679.00 g
4052899463813	ELEMENT 90/220...240/24	Shipping carton box 20	317 mm x 244 mm x 197 mm	15.24 dm <sup>3</sup>	11956.00 g

- The mentioned product code describes the smallest quantity unit which can be ordered. One shipping unit can contain one or more single products. When placing an order, for the quantity please enter single or multiples of a shipping unit.

### Disclaimer

Subject to change without notice. Errors and omission excepted. Always make sure to use the most recent release.