

EAN: 6414150082481

[www.oras.com/en/products/oras/product/3016F](http://www.oras.com/en/products/oras/product/3016F)



Touchless washbasin faucet with a temperature adjustment handle. Battery-operated 6 V. The faucet is equipped with litter filters, non-return valves and Autofocus sensor which enables installation without adjustments. The impulse-controlled solenoid valve gives the battery a long operating life. Bluetooth connection enables easy monitoring and adjustments of the faucet. Flow rate 6 l/min. F = with flexible pipes

- Public & Semi-public
- Touchless, Battery-operated, Bluetooth®
- Deck mounted
- Chrome
- Temperature control handle
- Non-return valve(s), Litter filter(s)
- Autofocus sensor, Impulse-controlled solenoid valve
- 3S-installation system for safe and simple mounting

## Technical data

### Flow properties

Flow-rate at 300 kPa (with flow controller)	<b>0.1 l/s</b>
Pressure loss with flow (0.1 l/s)	<b>200 kPa</b>

### Technical properties

Hot water supply	<b>max. +70°C</b>
Working pressure	<b>100 - 1000 kPa</b>
Connection size	<b>G3/8</b>
Projection	<b>138 mm</b>
Material	<b>brass</b>

### Software settings

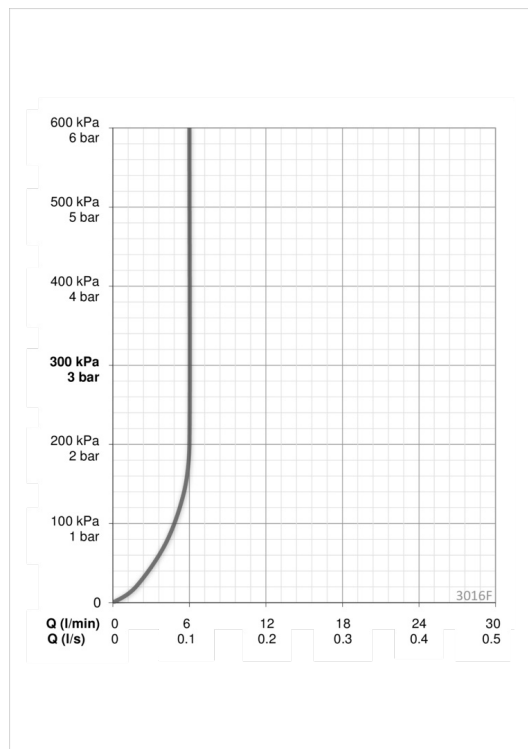
Afterflow period	<b>3 s (1-20 s)</b>
Automatic flush	<b>off (off/1-120 h)</b>
Automatic flush period	<b>30 s (1-1800 s)</b>
Max. flow period	<b>2 min (1 s-30 min)</b>

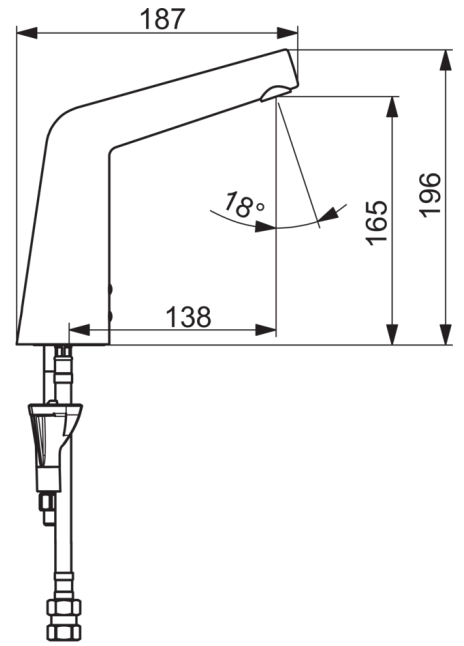
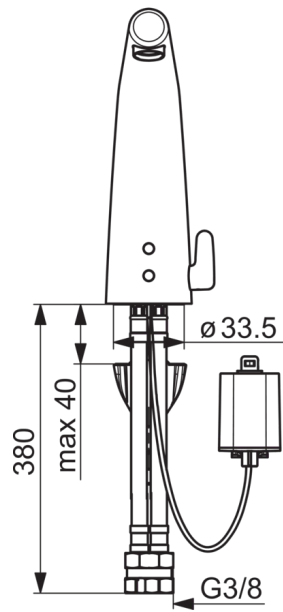
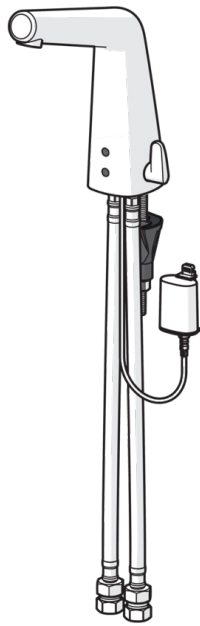
### Electronic properties

Battery	<b>Lithium 2CR5 6 V</b>
Bluetooth version	<b>4.x</b>

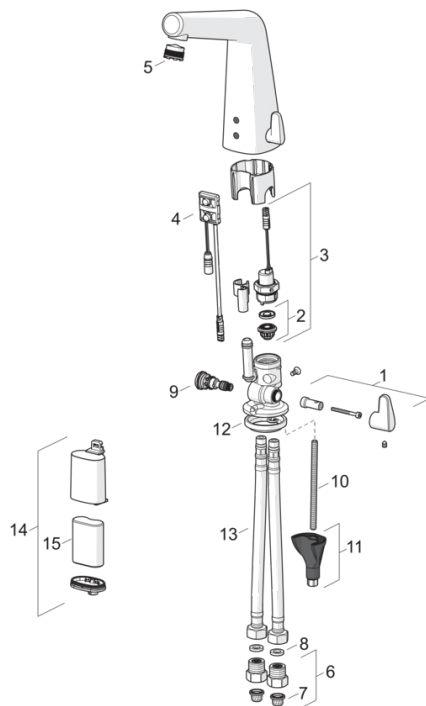
### Regulations

EMC Directive	<b>CE 2014/30/EU</b>
EN standard	<b>EN 15091</b>
Noise class	<b>I (ISO 3822) Oras lab.</b>
Protection class	<b>IP 55</b>





## Spare parts



### SP3016F

	Code
01	1002424V
02	199205V
03	199206V
04	1001424V
05	601901V
06	198473/2
07	199257/2
08	600705/10
09	199201V
10	1000780V
11	602610V
12	1002371V
13	1002311/2
14	199438V
15	198330