

EAN: 6414150066238

www.oras.com/en/products/oras/product/2891



Thermostatic rain shower faucet with spout, fixed head shower pipe, rain shower and soap holder.

- Shower
- Thermostatic
- Wall mounted
- Chrome
- soap dish
- rain
- Thermostatic cartridge that reacts quickly and precisely to changes in water temperature

Technical data

Flow properties

Flow-rate at 300 kPa	0.23 l/s
Pressure loss with flow (0.2 l/s)	230 kPa

Technical properties

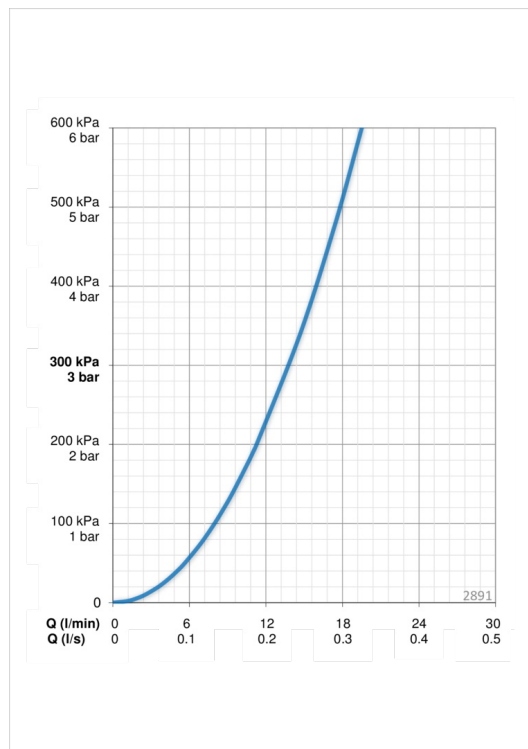
Hot water supply	max. +80°C
Working pressure	100 - 1000 kPa
Connection size	G3/4
Installation width	CC150± 3 mm
Material	brass

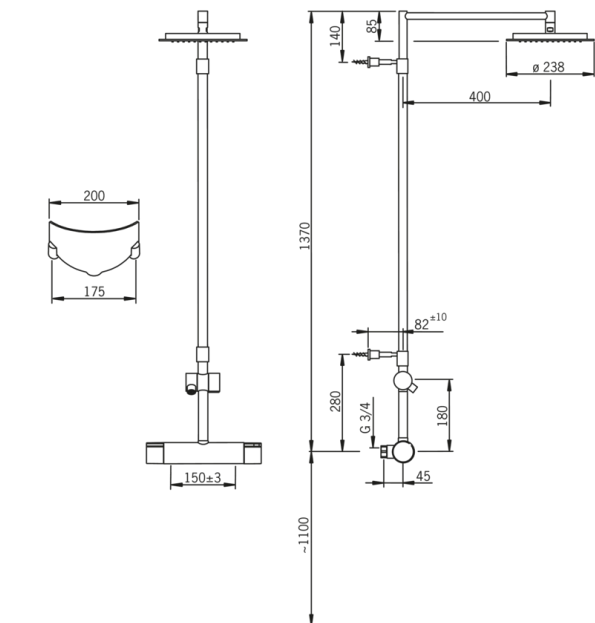
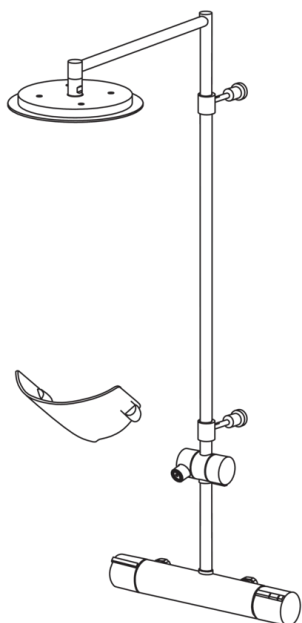
Regulations

EN standard	EN 1111
Noise class	I (ISO 3822)

Type approvals

STF certificate	STF VTT-RTH-00062-11
ETA-Danmark	VA 1.43/19991





Spare parts



SP2891

	Code
01	159045V
02	109898
03	178375V
04	178796V
05	159048V
06	178780V
07	600358V
08	600359V