

EAN: 6414150069987

www.oras.com/en/products/oras/product/2701F



Single lever washbasin faucet with an Easy-Grip lever, thermostatic control unit, Smart press pad and a rapid pop-up waste. The Easy-Grip lever is pleasant to touch and adjusts both the water flow and temperature. Thermostatic control unit maintains the requested water temperature when using the Smart press pad. The faucet is equipped with flexible pipes. The function of Smart press pad: pressing the press pad starts the water flow from the faucet. The faucet closes automatically after 6 seconds or by re-pressing the pad. Smart press pad can be placed freely close to the faucet, e.g. on the wall or on the side of the washbasin.

- Bathroom
- Single lever, Battery-operated
- Deck mounted
- Chrome
- utility shut-off valve with remote control
- Easy-Grip Lever
- Push pop-up waste without draw-rod
- Thermostatic cartridge that reacts quickly and precisely to changes in water temperature
- surfaces in contact with drinking water contain less than 0.3% lead

Technical data

Flow properties

| | |
|-----------------------------------|-----------------|
| Flow-rate at 300 kPa | 0.12 l/s |
| Pressure loss with flow (0.1 l/s) | 200 kPa |

Technical properties

| | |
|------------------|-----------------------|
| Hot water supply | max. +70°C |
| Working pressure | 100 - 1000 kPa |
| Connection size | G3/8 |
| Projection | 98 mm |
| Material | brass |

Software settings

| | |
|------------------|----------------------|
| Max. flow period | 6 s (4 - 15s) |
|------------------|----------------------|

Electronic properties

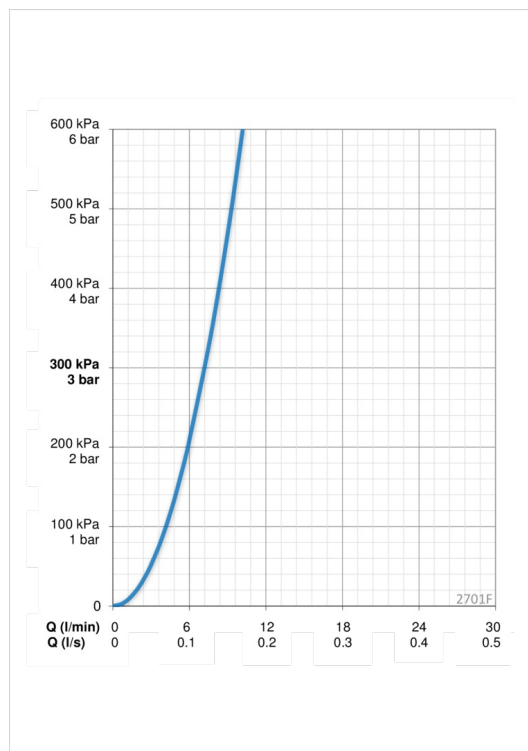
| | |
|-----------------------------|--|
| Battery | AA 1.5 V Lithium x 2, CR 2450 3 V |
| Number of devices connected | max. 8 |

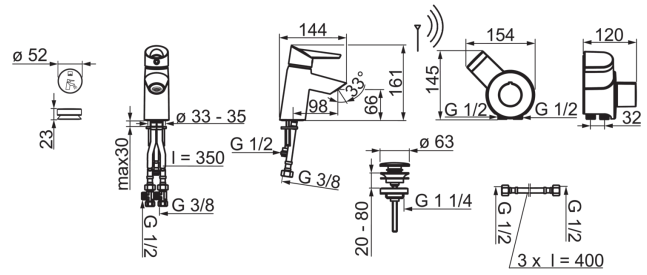
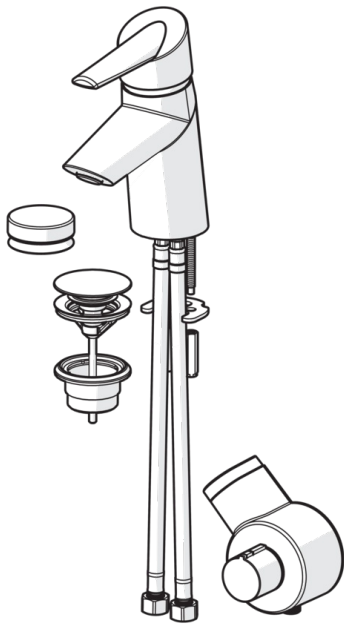
Regulations

| | |
|------------------|--------------------------|
| EMC Directive | CE 2004/108/EY |
| EN standard | EN 15091 , EN 817 |
| Noise class | I (ISO 3822) |
| Protection class | IP 55 |

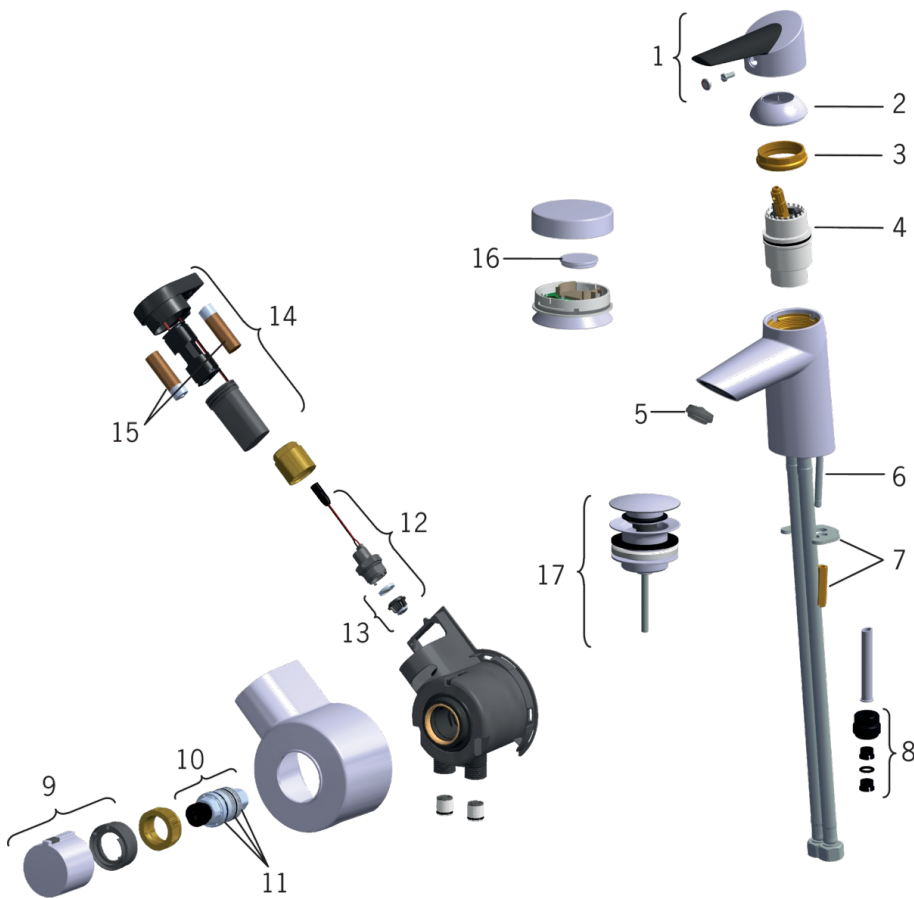
Type approvals

| | |
|-----------------|-------------------------|
| STF certificate | VTT-RTH-00063-14 |
| ETA-Danmark | VA 1.42/20420 |
| Sintef | Sintef Nr. 3082 |
| KIWA SE | 1462 |





Spare parts



SP2701F

| | Code |
|----|-----------|
| 01 | 601319V |
| 02 | 159053V |
| 03 | 158726 |
| 04 | 158890 |
| 05 | 601500V |
| 06 | 158727/10 |
| 07 | 158697 |
| 08 | 159684 |
| 09 | 159048V |
| 10 | 178780V |
| 11 | 178796V |
| 12 | 601307V |
| 13 | 601512V |
| 14 | 601590V |
| 15 | 600599V |
| 16 | 601468V |
| 17 | 159056V |