



INDICATIVE PHOTO

General features : RS4380

RS range unit coolers have been designed to be installed inside cold rooms suited for fresh and frozen goods storage.

Their shape, being extremely compact, make their installation possible also in cold rooms having very small dimensions

RS range unit coolers are available in two main versions: the one suited for high temperature (differentiated fin spacing 3,5/7mm); the other version suited for medium and low temperature application (differentiated fin spacing 4,5/9mm).

In models for high temperature the version with the fitted defrosting heater is not available; for these models the heaters are optional items and they will be supplied not mounted.

The models for medium and low temperature application are available in the version supplied without defrosting heater (mod. RS...B) and with defrosting heater mounted and wired on the unit cooler's terminal box as well (mod. RS...BED).

The coil is made of aluminium fins and 3/8" copper tube with geometry 25x22
It is tested with nitrogen at a pressure of 25 bar

The fan motor models in use have the following features:

Manufactured following EN 60335-1 laws, with internal thermal protection

Draw through air flow

Fan guard made of plastic and brackets made of steel

Fan diameter 200mm, 34° inclination

Power supply 220-240V/1/50-60Hz

IP42 protection rate

Operating temperature from -40°C to +40°C

B insulation class

It is tested with nitrogen at a pressure of 25 bar

The housing is made of aluminium

The manufacturing solutions used give the housing strength and guarantee the absence of vibrations during the functioning.

Screws, washers and nuts are made of stainless steel

The B and BED models are supplied with fitted drip tray



INDICATIVE PHOTO

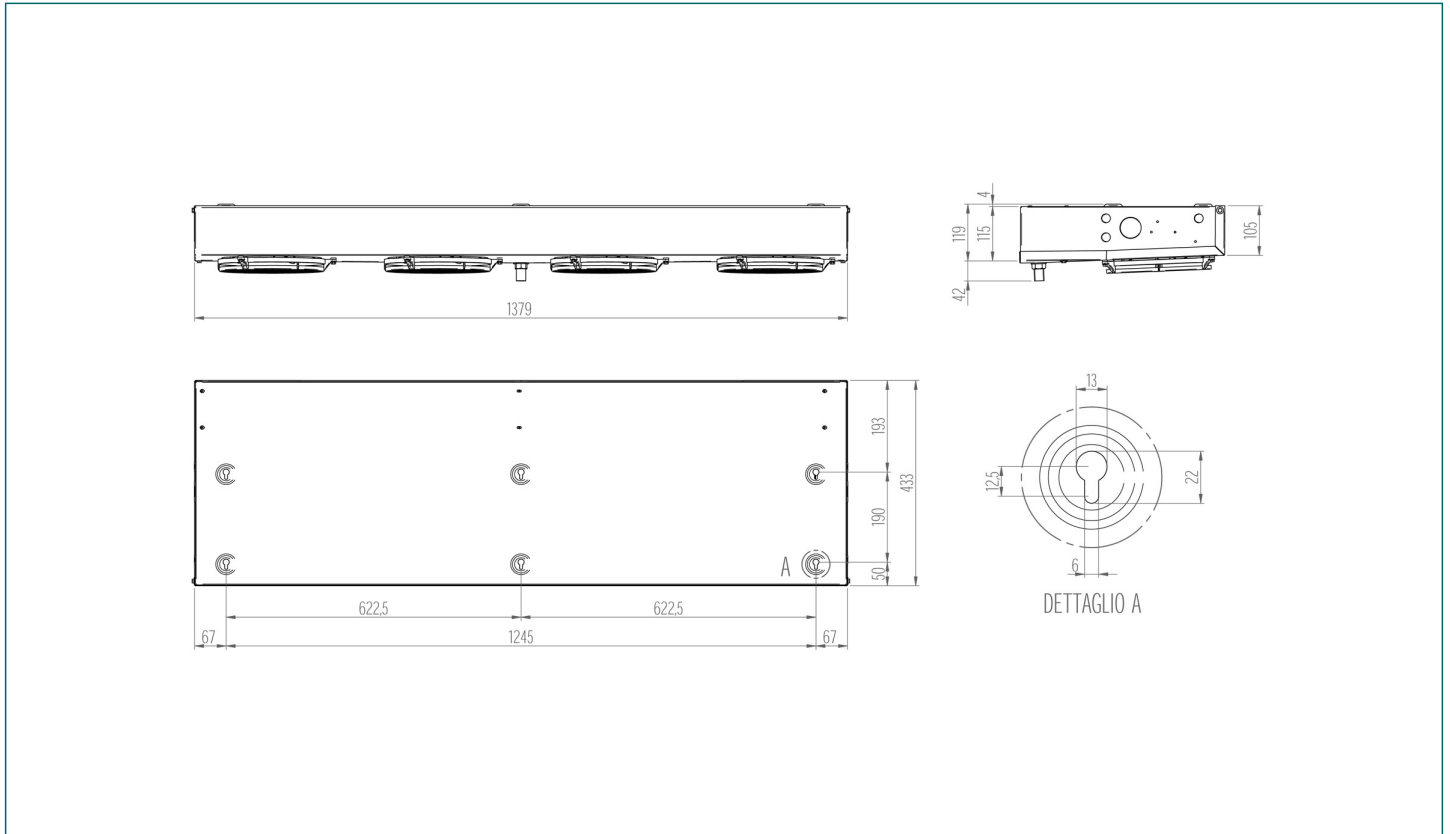
Product file : Unit coolers

Code	RS4380
Model	Ceiling
Range	RS
Application	MBP
Net weight	16,5 kg
Inlet connection	12 mm-1/2" SAE
Outlet connection	16 mm
Drain connection	1/2" Gas (20mm)
Ped	0
Rows	4
Fin spacing	3,5/7
Circuit volume	2,19 dm ³
Total surface	9,1 m ²

Fan motor

Fans no.	4
Diameter	200 mm
Power supply	220-240/1/50-60
Speed	1300 rpm
Power consumption	172 W
Current consumption	1 A
Air flow	784 m ³ /h
Air throw	2,5 m

Technical drawing - RS4380



Refrigerating capacity table (watt) - Gas : R404A

dT \ Tc	-5°C	0°C	2°C	4°C	6°C	8°C	10°C	12°C	15°C
10	2120	2300	2360	2400	2450	2490	2560	2640	2760
9	1930	2100	2140	2180	2220	2260	2330	2400	2505
8	1730	1870	1910	1930	1970	2010	2080	2140	2230
7	1510	1640	1660	1680	1700	1760	1810	1860	1935
6	1290	1400	1410	1430	1450	1510	1550	1600	1675
5	1040	1130	1140	1150	1190	1230	1270	1310	1370