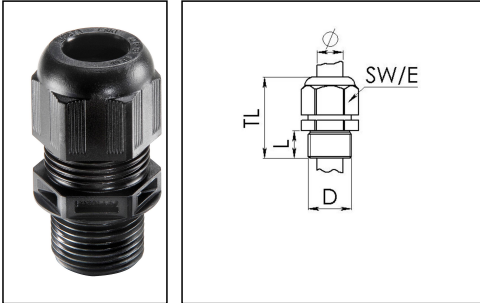


## ESKV-L 63

Cable gland, polyamide with long thread



Product illustrations are exemplary and may differ from the chosen product. Further variants and individual customization, we will gladly provide you on request.



|                          |                                |
|--------------------------|--------------------------------|
| Material cable gland     | Polyamide                      |
| Material sealing gasket  | EPDM                           |
| Protection class         | IP 69K, IP 68, 5 bar 30 min    |
| Temp. range min          | -40 °C                         |
| Temp. range max          | 100 °C                         |
| Intermittent temp. range | 120 °C                         |
| Glow wire test           | 750 °C                         |
| Thread type              | M                              |
| Ø Connection thread D    | 63                             |
| Lead                     | 1,5                            |
| Length screw-in thread L | 18 mm                          |
| Ø cable diameter min     | 34 mm                          |
| Ø cable diameter max     | 48 mm                          |
| Ø cable diameter UL      | 38,1 mm - 47,5 mm              |
| Key width SW             | 68 mm                          |
| Collar diameter (E)      | 75 mm                          |
| Total length TL          | 67 mm - 81 mm                  |
| Type of cable anchorage  | A                              |
| Install. torques fitting | 30 N m                         |
| Impact category          | 5                              |
| Install. torques cap nut | 30 N m                         |
| Advice                   | VDE - Approval: -20°C - 100°C  |
| Equipment                | Incl. connection thread gasket |
| Type                     | ESKV-L 63                      |
| Product Color            | RAL 9005                       |

|                            |          |
|----------------------------|----------|
| <b>Order no. RAL 9005</b>  | 10066507 |
| <b>Packing unit</b>        | 10       |
| <b>ETIM-Classification</b> | EC000441 |

Recommended accessories

|   |          |
|---|----------|
| <b>RDE 63</b>                             | 10062189 |
| <b>BS 38</b>                              | 10064018 |
| <b>MFD 63/01/131-01/118-03/084-02/064</b> | 10101114 |
| <b>MFD 63/03/065</b>                      | 10101201 |
| <b>MFD 63/02/065-01/090</b>               | 10101223 |

14.12.2015

