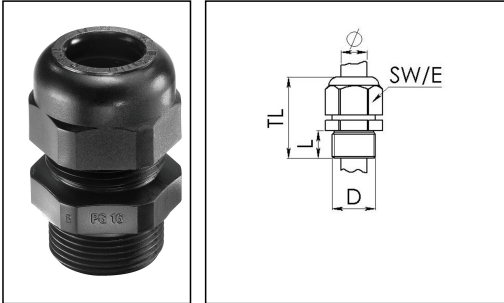


## SKV 13,5

Cable gland, polyamide



Product illustrations are exemplary and may differ from the chosen product. Further variants and individual customization, we will gladly provide you on request.



<b>Material cable gland</b>	Polyamide
<b>Material sealing gasket</b>	EPDM
<b>Temp. range min</b>	-40 °C
<b>Temp. range max</b>	100 °C
<b>Intermittent temp. range</b>	120 °C
<b>Protection class</b>	IP 68, 5 bar 30 min
<b>Thread type</b>	PG
<b>Connection thread size D</b>	13,5
<b>Length screw-in thread L</b>	10 mm
<b>Cable diameter min</b>	6 mm
<b>Cable diameter max</b>	12 mm
<b>Key width SW</b>	24 mm
<b>Collar diameter (E)</b>	26 mm
<b>Total length TL</b>	35 mm - 41 mm
<b>Glow wire test</b>	750 °C
<b>Type of cable anchorage</b>	A
<b>Product Color</b>	RAL 9005
<b>Order no. RAL 9005</b>	10066194
<b>Type</b>	SKV 13,5
<b>Packing unit</b>	50
<b>ETIM-Classification</b>	EC000441

Recommended accessories

<b>MUG 13,5</b>	10060673
<b>ADR 13,5</b>	10061422

22.11.2015

