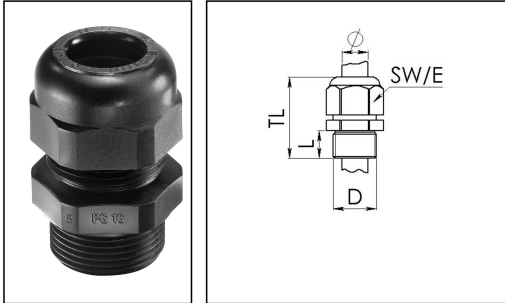


SKV 42

Cable gland, polyamide



Product illustrations are exemplary and may differ from the chosen product. Further variants and individual customization, we will gladly provide you on request.



| | |
|---------------------------------|---------------------|
| Material cable gland | Polyamide |
| Material sealing gasket | EPDM |
| Temp. range min | -40 °C |
| Temp. range max | 100 °C |
| Intermittent temp. range | 120 °C |
| Protection class | IP 68, 5 bar 30 min |
| Thread type | PG |
| Connection thread size D | 42 |
| Length screw-in thread L | 14 mm |
| Cable diameter min | 28 mm |
| Cable diameter max | 38 mm |
| Key width SW | 60 mm |
| Collar diameter (E) | 67 mm |
| Total length TL | 58 mm - 67 mm |
| Glow wire test | 750 °C |
| Type of cable anchorage | A |
| Product Color | RAL 9005 |
| Order no. RAL 9005 | 10066199 |
| Type | SKV 42 |
| Packing unit | 5 |
| ETIM-Classification | EC000441 |

Recommended accessories

| | |
|---------------|----------|
| MUG 42 | 10060678 |
| ADR 42 | 10061427 |

22.11.2015

