



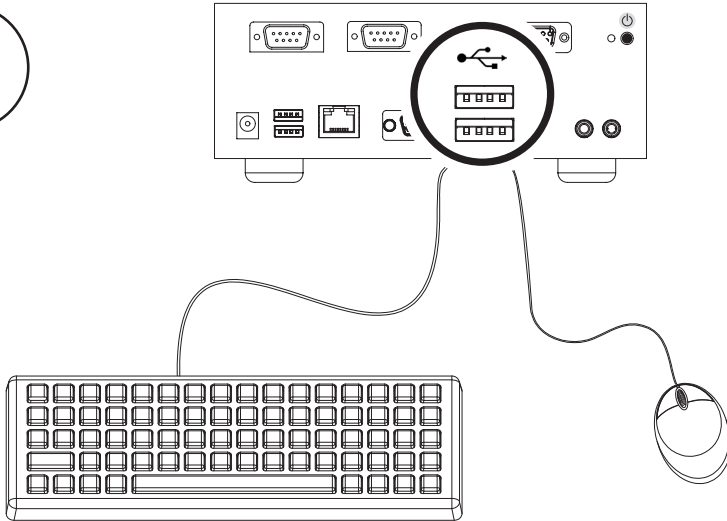
Operating Manual



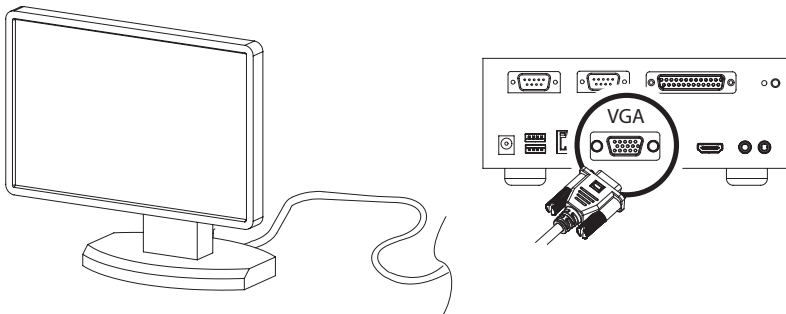
1.	Wiring Diagram	4
2.	Installation	5
3.	Network address	7
3.1	Board address Dip Switch setting	7
4.	Operational Instructions - Connection With Rs 485 Serial Line	8
4.1	Installation notes	8
4.2	Earthing of network	8
4.3	Cable specification	9
5.	USB / RS485 Adapter	10
5.1	Choice of configuration	10
6.	Activation - Login - First Installation	14
7.	Monitoring	20
8.	I/O Input - Output Board	24
8.1	Input - Output I/O board management	25
9.	Events management	26
10.	Event creation - Weekly per unit	27
10.1	Event creation - Weekly per I/O board	29
10.2	Event creation - Special per unit	31
10.3	Event creation - Special per I/O board	33
11.	Statistics & Report	36
12.	System Management	37
13.	Administration	41

Installation

1



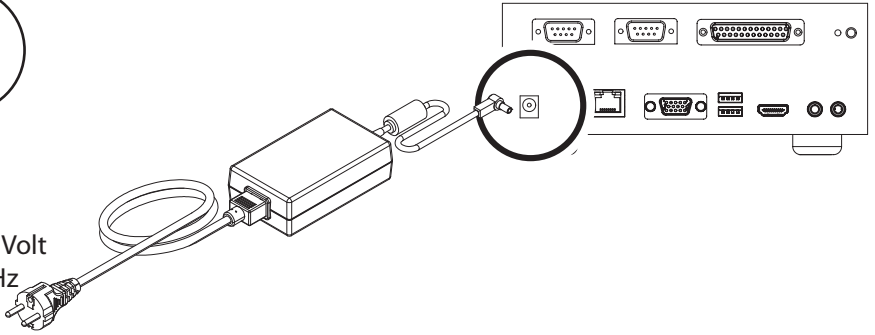
2



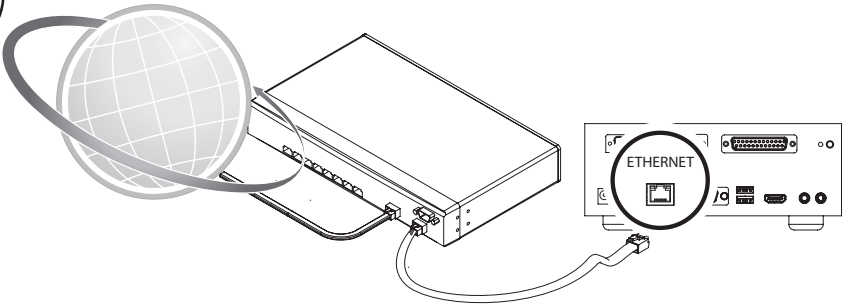
MINIMUM RESOLUTION 1280 x 800

3

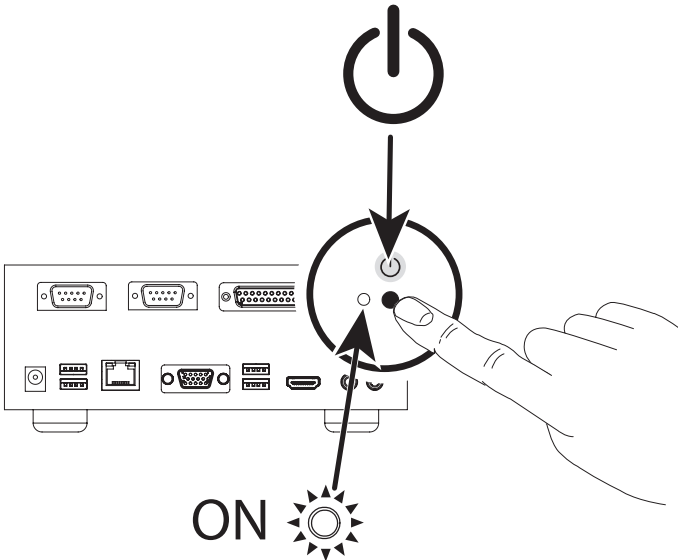
230 Volt
50Hz



4



5



Operational Instructions For Connection With Rs 485 Serial Line

Particular attention must be given in electrically connecting a cassette network using serial connection:

1. type of cable to be used;
2. the network's overall length must not exceed 700/800 metres. (provide more terminals if necessary to increase the overall distance);
3. a maximum of 60 cassette can be connected.

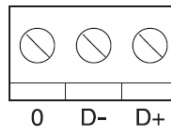
Installation notes

1. Tighten the cables to a force of less than 12 kg. A greater force may fray the cables reducing the transmission properties.
2. Do not twist, knot, crush or fray the cables.
3. Do not lay the signal and power cables together if they must cross, intersection must be at 90°, do not join cable sections. Always use only one cable to connect the individual units together.
4. Do not excessively tighten the cables under the terminal connection clamps.
5. Carefully strip the cable end.
6. Do not crush the cable at cable glands or safety supports.
7. always respect the colours position in correspondence of the connection start and end points.
8. visually and physically check the cables are in good condition and correctly positioned, once wiring is completed.
9. install the cables and units minimising the possibility of accidental contacts with other power cables or potentially dangerous cables, such as the lighting system cables.
10. do not lay the 12 volt power supply and communication cables near power rods, lights, antennae, transformers or hot water or steam pipes.
11. never position the communication cables in any conduits, pipes, junction boxes or other container together with the power cables or lighting system cables.
12. always adequately separate communication cables from all other electrical cables.
13. keep the communication cables and the units, at least 2 metres away from units with heavy inductive loads (distribution panels, motors, generators for lighting systems).

Earthing of network

Respect the connection symbols during appliances' serial connection:

- clamp "D-" with clamp "D-"
- clamp "D+" with clamp "D+"
- clamp "0": connect the serial cable's shielding.



NEVER INVERT CONNECTIONS.

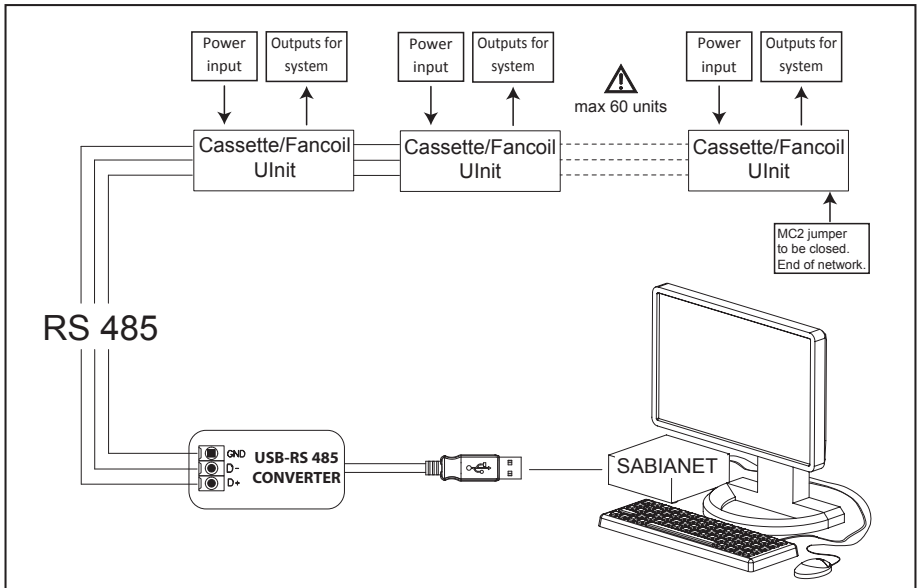
USB / RS485 Adapter

IMPORTANT: the Sabianet system only works with the supplied USB adapter.

The different types of connections in series that can be used are illustrated. Particularly:

- **Configuration 1** – connection up to 60 units
- **Configuration 2** – connection of more than 60 units using the Router (1 every 60 units)
- **Configuration 3** – connection of more than 60 units using more Router (1 every 60 units) and sub-networks.

- Configuration 1 – connection up to 60 units

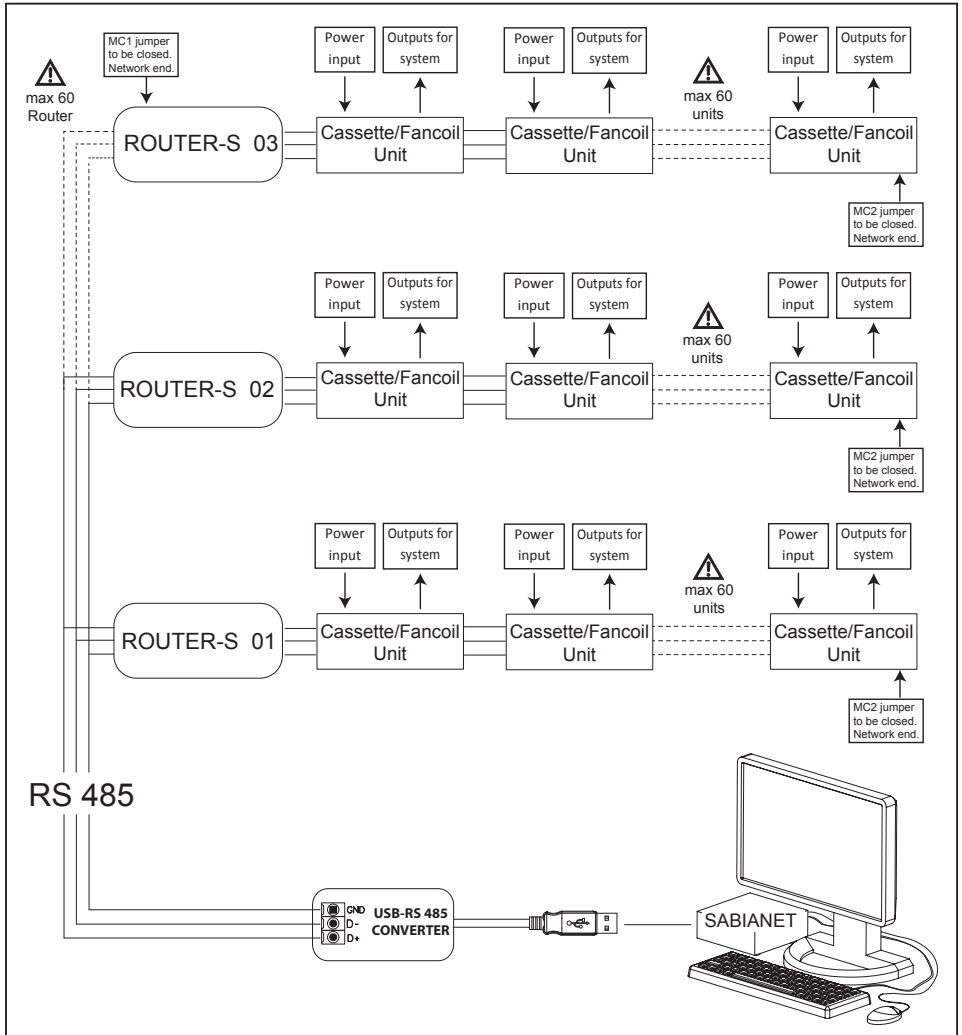


First Element = Software

Last Element = Cassette / Fancoil Unit

The units may be connected in series without inserting a Router, if having less than 60 units connected in network and not requiring an on field control.

- Configuration 2 – connection of more than 60 units using the Router (1 every 60 units)



First and last sub-network element: Router and cassette/fancoil unit.

First and last main network element: Adapter and Router.

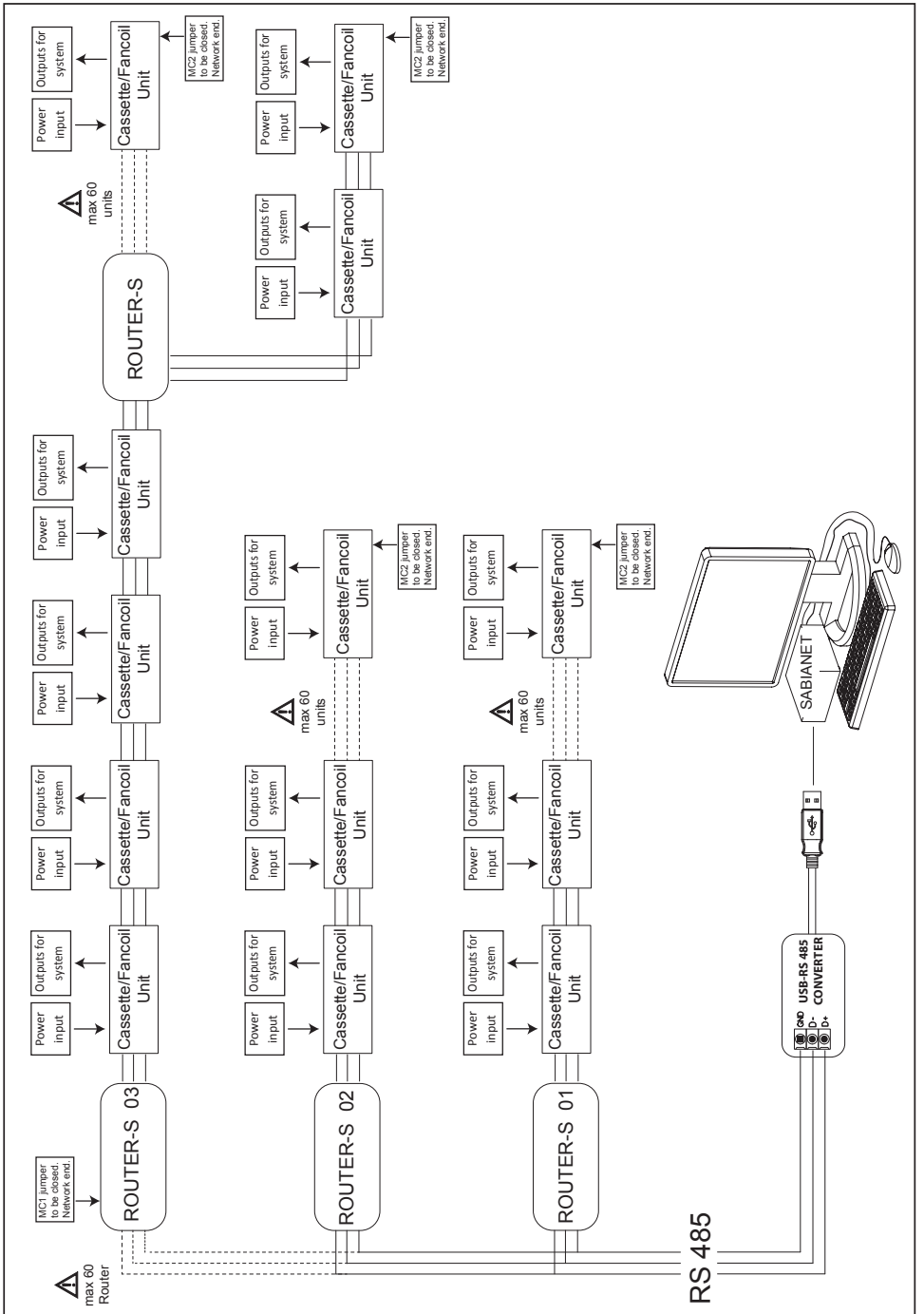
This connection configuration allows placing more than 60 units in series.

The overall network is divided into sub-networks, each connected to a Router.

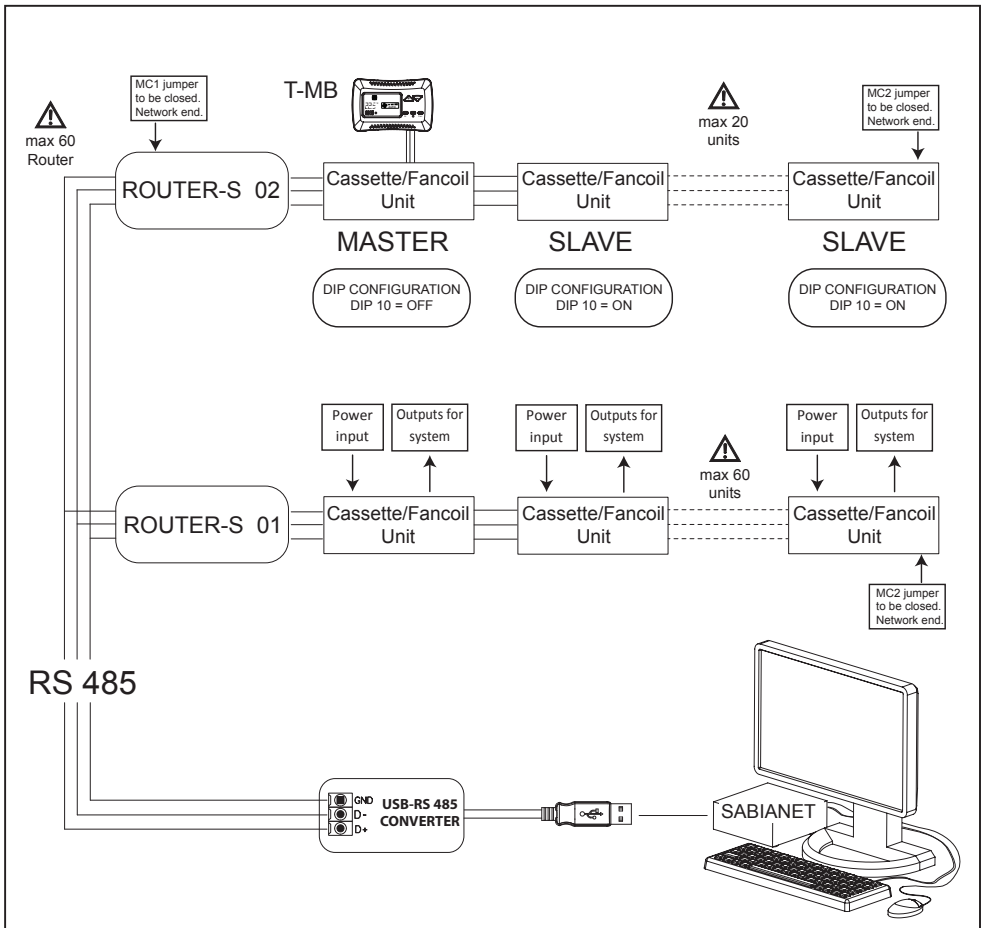
60 units can be connected for each Router.

The Router are connected to PC by means of USB / RS485 adapter.

- Configuration 3 – connection of more than 60 units using more Router (1 every 60 units) and sub-networks.



- Configuration 4 – Master and Slave connection with T-MB wall mounted control



First and last sub-network element: Router and cassette/fancoil unit.

First and last main network element: Adapter and Router.

The Router are connected to PC by means of USB / RS485 adapter.

The overall network is divided into sub-networks, each connected to a Router.

ROUTER-S 01: 60 units can be connected for each Router.

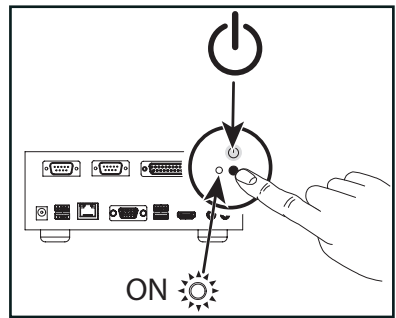
ROUTER-S 02: Managing a group of appliances, via serial connection, with just one T-MB control. . It is possible to connect multiple devices controlling them simultaneously, transmitting settings from the T-MB control to a single MASTER unit. All other units are defined SLAVE. The operation of each individual appliance will depend, on the other hand, on the temperature conditions measured by each of these.

Activation - Login - First Installation

Press the switch located on Sabianet's rear part, once all connections have been correctly made. (as shown in figure).

The green indicator switches on.

Login is displayed, after a few seconds, on the previously connected monitor.



Enter the User Name and password and press **ENTER**.

The Sabianet system's first setting window is accessed if the User Name and password are correct.

Username
administrator

Password
administrator

Login

IP 192.168.0.119

For first login use:

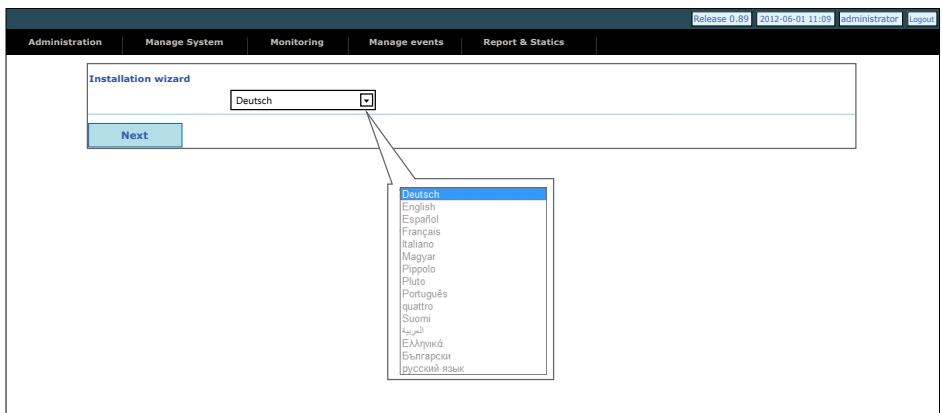
Username: administrator

Password: administrator

NOTE: the username and password can be subsequently created/modified as required.

An initial Sabianet system installation window appears once logged in:

1 - Language choice: Select the wanted language from those offered and press "Next".



2 - Define the number of units: Using the following fields, indicate the maximum number of router and units in the system. Then press “ **Next** ” to activate the automatic search procedure.

Administration | Manage System | Monitoring | Manage events | Report & Statics

Release 0.89 | 2012-06-01 11:09 | administrator | Logout

Wizard discovery
Please specify the maximum number of router and unit in the system using the form ; then click on next button for booking the discovery.

Router: 0
Unit: 1

Next

Wait a few seconds once the automatic “discovery” search is activated...

Administration | Manage System | Monitoring | Manage events | Report & Statics

Release 0.89 | 2012-06-01 11:09 | administrator | Logout

Wizard discovery
The Discovery process will analyze the network, in a few moment trovate will print the list of the found unit.

Working event

The monitor shows the system’s summary screen with the found appliances’ analysis.

Press “ **Next** ” to go onto the subsequent setting.

Administration | Manage System | Monitoring | Manage events | Report & Statics

Release 0.89 | 2012-06-01 11:09 | administrator | Logout

Summary

Router	Device under the router
Level 0	6
Total Router	0
I/O Total	0
Totale unit	6

Discovery summary

	Router	Unit
Request	0	6
Found	0	0

Wizard discovery

Serial	Description	Routing	Address	Active
13243722550100392660	Cassette ECM	---	1	✓
13243722551049471815	Cassette ECM	---	2	✓
13243722550564815290	Cassette ECM	---	3	✓
13243722540990113409	Cassette ECM	---	4	✓
13243722540729379656	Cassette ECM	---	5	✓
13305248220886589674	Cassette ECM	---	6	✓

Previous | Next

3 - Define the groups' names: This setting is optional and allows naming any groups forming part of the network, if already identified.

Wizard discovery
Define groups name

Name

Add

#	Name	

Previous **Next**

Example: enter the group name, e.g. group1, into the white box and press “ **Add** ”.
The name of the just created group is displayed in the following table.

Wizard discovery
Define groups name

Name

Add

#	Name	
1	Group 1	✘

Previous **Next**

More group names can be added or delete a group name, using the symbol ✘.
Press “ **Next** ” to go onto the subsequent screen.

4 - Associate a name to the unit: Associate a name to the network units, once discovery has been run:

- 1 - Choose a unit from the “Device” cell.
- 2 - Enter the unit’s name in the “Name” cell.
- 3 - Press “Add ” button.

Wizard discovery
The discovery has found following devices, in this step it's possible to assign a name.

Device ← 1 = Choose a unit from the “Device” cell.

Name ← 2 = Enter the unit’s name in the “Name” cell.

3 = Press “Add” Button → **Add** **Auto-naming**

#	Type (Address)	Name

Previous **Next**

The added names are highlighted in the following table. Once the names have been associated to all units, press “ **Next** ”.

Wizard discovery
The discovery has found following devices, in this step it's possible to assign a name.

Device: ← 1 = Choose a unit from the “Device” cell.
Name: ← 2 = Enter the unit’s name in the “Name” cell.

3 = Press “Add” Button →

#	Type (Address)	Name	
1	Cassette ECM (routing: 1.0.0 addr: 1)	unità 1	✘
2	Cassette ECM (routing: 1.0.0 addr: 2)	unità 2	✘
3	Cassette ECM (routing: 1.0.0 addr: 3)	unità 3	✘
4	Cassette ECM (routing: 1.0.0 addr: 4)	unità 4	✘

The name associated to a unit can be deleted using the ✘ symbol.

NOTE: the names can be automatically associated to the units by pressing “**Auto-naming**”; the system associates a progressive name based on each unit’s address. Press “ **Next** ” to access the subsequent screen.

Wizard discovery
The discovery has found following devices, in this step it's possible to assign a name.

Device:
Name:

#	Type (Address)	Name	
1	Cassette ECM (routing: 1.0.0 addr: 1)	C01000001	✘
2	Cassette ECM (routing: 1.0.0 addr: 2)	C01000002	✘
3	Cassette ECM (routing: 1.0.0 addr: 3)	C01000003	✘
4	Cassette ECM (routing: 1.0.0 addr: 4)	C01000004	✘

5 - Define the I/O Board names: The system proposes a screen for indicating the inputs and outputs names of the I/O devices found in the system, if an I/O board is present in the network.

Enter the inputs and outputs names in the cells below. Press “**Update**” to confirm.

Press “ **Next** ” to go to the next screen.

NOTE: this screen is optional, the inputs and outputs can be subsequently named.

Press “ **Next** ” to continue.

Release 0.89 2012-06-01 11:09 administrator Logout

Administration Manage System Monitoring Manage events Report & Statics

Set the input and output name of the I/O devices found in the system.

Input	Output
Input 1 <input type="text"/>	Output 1 <input type="text"/>
Input 2 <input type="text"/>	Output 2 <input type="text"/>
Input 3 <input type="text"/>	Output 3 <input type="text"/>
Input 4 <input type="text"/>	Output 4 <input type="text"/>
Input 5 <input type="text"/>	Output 5 <input type="text"/>
Input 6 <input type="text"/>	Output 6 <input type="text"/>
Input 7 <input type="text"/>	Output 7 <input type="text"/>
Input 8 <input type="text"/>	Output 8 <input type="text"/>

6 - Unit association to a group: The units can be associated to a previously created group. This is optional and can be subsequently created, modified.

Administration Manage System Monitoring Manage events Report & Statics

Wizard discovery

Groups to device link

Group:

Devices:

- C01000001
- C01000002
- C01000003
- C01000004
- C01000007
- C01000010
- F03210022
- F03210023
- F03210024
- F03210025
- F03210026

Mouse click to select
 Ctrl + Mouse click to undo select
 SHIFT + Mouse click to multiple select

Select the group, select the unit or units to insert into the chose group; once selected press “ **Link** ”. The made associations are shown in the table.

#	Group	Devices	
1	Group1	C01000001	✘
2	Group1	C01000002	✘
3	Group1	C01000003	✘

Press “ **Next** ” to go onto the subsequent step.

7 - Association for consumption calculation: (optional - not essential for operation)

Associate the devices found during discovery to the consumption calculation models

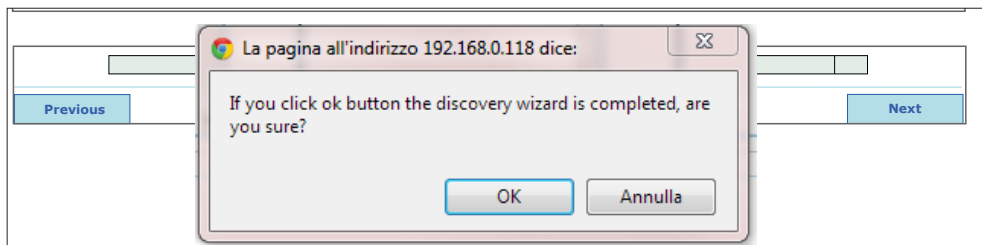
Devices	Type	Models
C01000001	Cassette	SK-ECM 1
C01000002	Cassette ECM	SK-ECM 2
C01000003	Fancoil	SK-ECM 3
C01000004	Fancoil ECM	SK-ECM 4
C01000005		SK-ECM 5
C01000006		SK-ECM 6

Devices	Type	Models
C01000001	Cassette ECM	SK-ECM 2

By automatically selecting a device from the list on the left, the type of said unit is highlighted; Now associate the model to the selected device. The association is shown in the table.

Devices	Types	Models	
C01000001	Cassette ECM	SK-ECM 2	✘

Once units have been associated to model, press “ **Next** ”.
Installation and first setting are completed; Press OK to confirm.



8 - First display state: the Sabianet supervisory system is installed. A first display screen showing the units found in the network and associated is proposed.

Not linked	C01000001	C01000002	C01000003	C01000004	C01000005	C01000006
------------	-----------	-----------	-----------	-----------	-----------	-----------

Monitoring

- Press “Monitoring” ;
- The screen displays the main parameters of each unit in network, in real time

Administration Manage System **Monitoring** Manage events Report & Statics

Release 0.89 2012-06-01 11:09 administrator Logout

Not linked

C01000001 TA 26 TSET 24

C01000002 TA 26 TSET 24

C01000003 TA 26 TSET 24

C01000004 TA 26 TSET 24

C01000005 TA 26 TSET 24

C01000006 TA 26 TSET 24

Commands

On/Off

Select fan function

Mode

Tset

Min heating limit

Max heating limit

Min cooling limit

Max cooling limit

Blocks

All action Yes No

On / Off Yes No

Block modality Yes No

Block temperature set Yes No

Block fan Yes No

Displaying a unit

The above screen shows the units that have been connected to the network and scanned by the program.

C01000001

TA 26
TSET 24

Power: ON OFF

Operation mode: Summer (☀️), Winter (❄️), Automatic (AUTO), Ventilation (🌀)

Fan speed: Low (▬▬), Medium (▬▬▬), High (▬▬▬▬), Automatic (▬▬▬▬ A)

The icon of the terminal unit provides the following information:

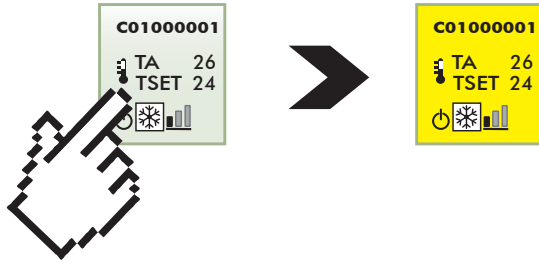
- Unit name (*C01000001*)
- Set temperature (*TSET*)
- Ambient temperature detected (*TA*)
- Unit state: ON (☺️) o OFF (☹️)
- Operation mode: Summer (☀️), Winter (❄️), Automatic (AUTO), Ventilation (🌀)
- Fan speed: Low (▬▬), Medium (▬▬▬), High (▬▬▬▬), Automatic (▬▬▬▬ A)

Select the unit to be modified

Operate in one of the following ways to select one of the units:

- **Select the unit from the main screen**

Click the icon of the unit to be modified once; the icon becomes yellow.



- **Select a Unit group**

Click the icon of the group to be modified once; the icons become yellow.

The screenshot shows the system's main interface. At the top, there are navigation tabs: Administration, Manage System, Monitoring, Manage events, and Report & Statics. The 'Monitoring' tab is active. The main area displays a grid of unit cards. A hand cursor is clicking on a box labeled 'Group 1', which contains six unit cards (C01000001 to C01000006). These cards are yellow, indicating they are selected. Below this, there are more unit cards, some of which are light green and labeled 'Not linked'. On the right side, there is a 'Commands' panel with various settings: On/Off (On), Select fan function (High), Mode (Summer), Tset (23), Min heating limit (10), Max heating limit (30), Min cooling limit (10), and Max cooling limit (30). There are 'Execute', 'All on', and 'All off' buttons. Below the 'Commands' panel, there is a 'Blocks' section with radio buttons for 'All action', 'On / Off', 'Block modality', 'Block temperature set', and 'Block fan', each with 'Yes' or 'No' options. An 'Execute' button is also present at the bottom of the 'Blocks' section.

Modify the operation parameters

Commands

On/Off

Select fan function

Mode

Tset

Min heating limit

Max heating limit

Min cooling limit

Max cooling limit

• Modify the parameters from the main screen

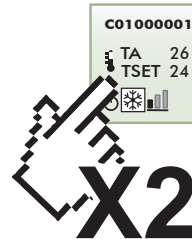
The new operation parameters of the previously selected unit(s), can be set using the following list of parameters.

Press **“Execute”** to confirm the changes once settings have been executed.

• Modify the parameters of a single unit from the “ Full details ” window

The parameters of a single unit can be set by clicking the icon of the unit to be modified, twice.

- 1 - Scroll the side bar until the **“Actions”** field is displayed;
- 2 - Set the chosen values
- 3 - Press **“Execute”** to confirm..
- 4 - Use the **“Back”** key to return to main screen.



Actions

On/Off 2

Mode

Min cooling limit

Min heating limit

Winter band

Low speed voltage

High speed voltage

Low limit vel invert summer

Low limit vel invert winter

3

Blocks

All action Yes No

On/Off Yes No

Mode Yes No

Block fan Yes No

Block temperature set Yes No

4

1

Furthermore, said screen allows displaying the operation data in real time and the unit's installation parameters.

On

Address	01000001	Name	C01000001
Device type	Cassette ECM		
Serial	13243722521402036071	Firmware release	0.47
Group	No group	Ventilation status	Off
Fan	Middle	Heating status	On
Mode	Winter	Cooling status	Off
Tset	28		
Limits			
Min heating limit	10	Pump	Present
Max heating limit	30	T1	21.0
Min cooling limit	10	T2	---
Max cooling limit	30	T3	24.6
Inverter parameters			
V OUT	0.2		
Low speed voltage	1		
Middle speed voltage	5		
High speed voltage	10		
Summer band	3.50	Winter band	3.50
Low limit vel invert winter	1	High limit vel invert winter	10
Low limit vel invert summer	1	High limit vel invert summer	10
Blocks			
All action	No	On/Off control	On
On/Off	No	Window contact	Close
Mode	No		
Block fan	No		
Block temperature set	No		

Input - Output I/O Board

The I/O board is an electronic power board equipped with 8 voltage-free contact inputs for displaying the different devices status and 8 relay outputs with SP-ST (2A AC3) type NO contact, for controlling remote electric utilities switch-on or off, for example:

- Pumps and Solenoid Valves
- Chiller
- Air shutter
- Lights, Outdoor lights
- Extractors
- Fans

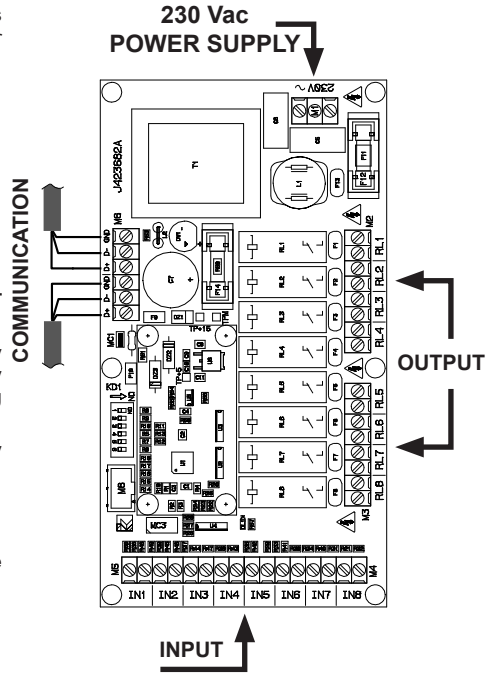
Use the Output board combined with the Sabianet supervisory program or the PSM-DI wall-mounted control.

The contacts of each individual relay (OUTPUT) identified by output number from 1 to 8 opening/closing can be managed by means of the Sabianet program or the PSM-DI control, checking the status at any moment.

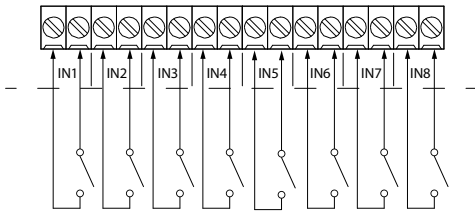
Also, the output relay status can be combined to a weekly program.

Similarly, the status of the inputs contacts can be displayed.

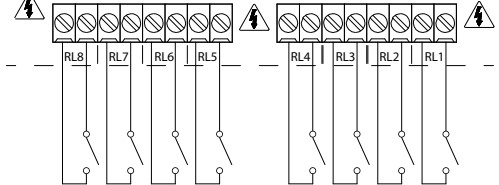
IMPORTANT!: Firstly define the physical address using the 6 Dip connector.



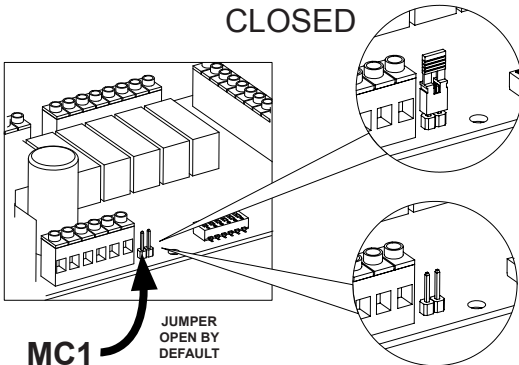
INPUT



OUTPUT



CLOSED



Serial connection - network end JUMPER.

The network must be closed on the last board in case of RS485 connection (Master/Slave or Sabianet). Closure is through **JUMPER MC1** if the last card is the I/O card.

Input - Output I/O Board Management

OUTPUT

The outputs statuses can only be modified using the unit's main screen:

- Click the selected Input / Output board icon twice – a window opens showing the outputs state in real time.
- Select the wanted state of each output (ON or OFF) in the “**Actions**” field.
- Confirm by pressing “Esegui (Run)”.
- Press “All on” to bring all outputs at ON.
- Press “All off” to bring all outputs at OFF.
- Press “Back” to return to main screen.

Off	
Address	03000032
Name	I03000032
Device type	Modulo IO
Serial	13312134161139657433
Firmware release	0.7
Group	No group
(Input 1)	Off
(Input 2)	Off
(Input 3)	Off
(Input 4)	Off
(Input 5)	Off
(Input 6)	Off
(Input 7)	Off
(Input 8)	Off

Actions

Output 1	<input type="button" value="v"/>	Output 2	<input type="button" value="v"/>
Output 3	<input type="button" value="v"/>	Output 4	<input type="button" value="v"/>
Output 5	<input type="button" value="v"/>	Output 6	<input type="button" value="v"/>
Output 7	<input type="button" value="v"/>	Output 8	<input type="button" value="v"/>

INPUT

The inputs statuses can only be read and associated to the alarms using the unit's main screen:

- Click the selected Input / Output board icon twice – a window opens showing the Inputs state in real time.
- The input Off status indicates an open contact. The On state indicates a closed contact.
- Select the input to be associated to an alarm from the “**Inputs Monitoring**” field.
- Confirm by pressing “**Link**”.

NOTE: The alarm is of visual type. It is displayed on the main screen and at top of I/O board management screen. The alarm condition is with OPEN contact (Off).

- Press “**Back**” to return to main screen.

Input monitoring

Input 1
Input 2
Input 3
Input 4
Input 5
Input 6
Input 7
Input 8

Mouse click to select
CTRL + mouse click to undo select
SHIFT + mouse click to multiple select

Manage events

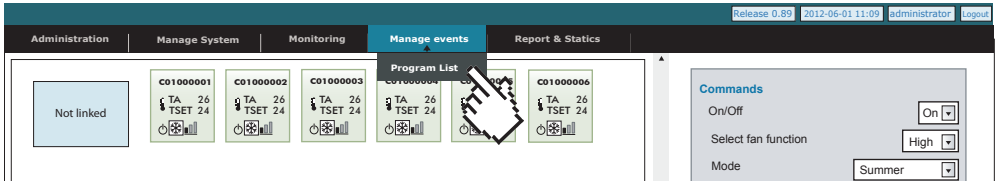
Sabianet allows defining multiple Programs, activate them and deactivate them one by one.

The Weekly Program allows creating a program that sets and modifies the operation parameters of the selected units in different daily time bands, for each day of the week, both for terminal units and for the connected Output boards.

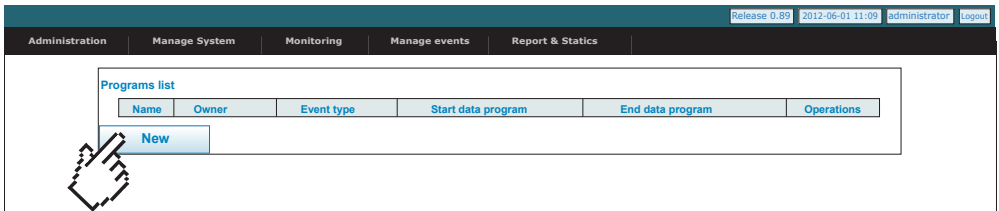
Each Program can be set for each individual Unit or for Groups of Units.

The Weekly Program allows implementing multiple changes in operation parameters, during a single day.

Click on the “ **Manage Events** ” menu and on “ **Program list** ” to access the window for creating weekly programs and special events.



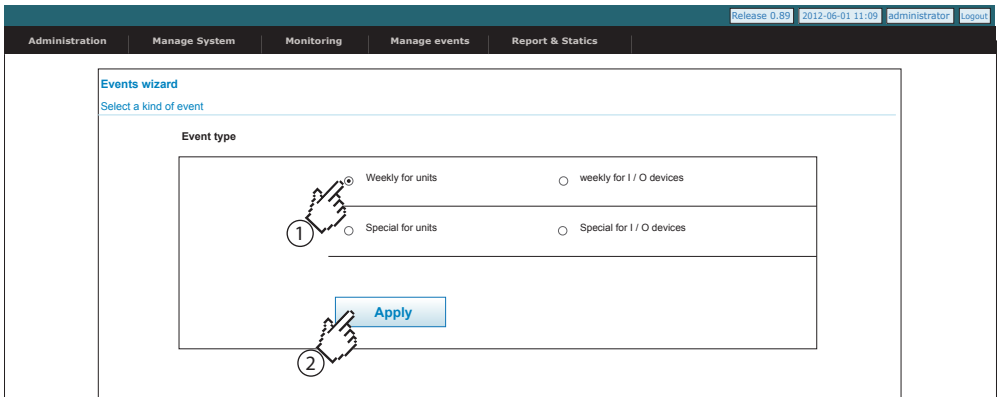
Create a new event by pressing “ **New** ”;



Now choose the type of event to be created among:

- Weekly for units
- Weekly for I/O devices
- Special for units
- Special for I/O devices

Select the wanted type of event and press “ **Apply** ”.



The event creation window opens.

Events wizard - Weekly for units

The following details must be selected in the weekly per unit program screen:

- Set the program name
- Select when the program must be enabled (Start Date and End Date)
- Set the day of the week
- Select the wanted units
- Define the wanted actions

Every program event must be a combination of two parameters: the Units and actions that must be activated upon the set time's expiry.

- Select the units

Select the Units from the square if wanting to set an event for each selected Unit, or the Unit group name (if present) if wanting to intervene on Groups of Units.

- Define the wanted actions

Choose the wanted operation parameters in the window. Attention, two different events cannot have the same start time.

Press "Apply" once selection is completed.

Release 0.89 2012-06-01 11:09 administrator Logout

Administration Manage System Monitoring Manage events Report & Statics

Program name:

Start date:

End date:

Set day:

Copy by day:

Group:

Devices:

State:

Mode:

Temperature:

Fan speed:

Time start:

Mouse click to select
Ctrl + mouse click to undo select
SHIFT (Malusc) + mouse Click to multiple select

Monday Tuesday Wednesday Thursday Friday Saturday Sunday

07:00 On Cold 24°C
Auto

The event will appear in the correct place on the weekly program table.


Monday

07:00 On Cold 24°C
Auto


- The parameters defined in the program will be displayed in the box:
- the day of the week
 - the event start time
 - the state, the mode, the set and the set speed.

Furthermore, by clicking the wanted symbol twice:


 **Information key:**
Lists the event parameters in detail.

Monday Tuesday Wed

07:00 On Cold 24°C
Auto



Time start	07:00
Devices	C01000001 C01000002 C01000003
State	On
Mode	Cold
Temperature	24°C
Fan Speed	Auto




 **Modify key:**
Use this function to make changes to the selected event. The screen proposes the currently entered parameters; make the wanted modifications and save by pressing "Apply".

 **Remove key:**
Use this function to delete the selected event from the programming screen.


Press “Apply” once program insertion is completed; the following screen is displayed:

ation Manage System Monitoring Manage events Report & Statics

Programs list

Name	Owner	Event type	Start data program	End data program	Operations
test	administrator	Weekly for units	Fri, 22 Jun 2012	Thu, 28 Jun 2012	  <input type="checkbox"/> 




[New](#)

 The program "test" saved.

IMPORTANT: to function, the created programs must be enabled.

Managing an event

Operation

The weekly program, once created, can be displayed, modified, enabled or deleted using the keys in the “Operations” box:



Display program



Modify program



Activate program



Delete program

Event creation - Weekly for I/O board

Select the event and press “Apply”; The event creation window opens.


Administration Manage System Monitoring Manage events Report & Statics Release 0.89 2012-06-01 11:09 administrator Logout

Events wizard

Select a kind of event

Event type

<input type="radio"/> Weekly for units	<input checked="" type="radio"/> weekly for I / O devices
<input type="radio"/> Special for units	<input type="radio"/> Special for I / O devices

 [Apply](#)

Release 0.89 2012-06-01 11:09 administrator Logout

Administration Manage System Monitoring Manage events Report & Statics

Program name

Start date 12 End date 12

Set day Copy by day

Devices I03000032

Output #1
 Output #2
 Output #3
 Output #4
 Output #5
 Output #6
 Output #7
 Output #8

Time start

Apply

Monday Tuesday Wednesday Thursday Friday Saturday Sunday

Apply Cancel

Mouse click to select
 Ctrl + mouse click to undo select
 Shift (Mauisc) + mouse Click to multiple select

The following details must be selected in the weekly program square:

- Set the program name
- Select when the program must be enabled (Start Date and End Date)
- Set the day of the week
- Select the wanted units
- Define the wanted actions

- Select the units

Select the I/O board from the square

Devices I03000032

Mouse click to select
 Ctrl + mouse click to undo select
 Shiftf (Mauisc) + mouse Click to multiple select

- Define the wanted actions

Choose the wanted operation parameters in the window.

Press **“Apply”** once selection is completed.

Output #1
 Output #2
 Output #3
 Output #4
 Output #5
 Output #6
 Output #7
 Output \ #8

Time start

Apply

Administration Manage System Monitoring Manage events Report & Statics

Program name:

Devices:

Start date: End date:

Set day: Copia da giorno:

Output #1: Output #2: Output #3: Output #4: Output #5: Output #6: Output #7: Output #8:

Time start:

Monday Tuesday Wednesday Thursday Friday Saturday Sunday

07:00 On Off Off Off Off Off Off Off

Mouse click to select
Ctrl + mouse click to undo select
Shift (Mausc) + mouse Click to multiple select

The event will appear in the correct place on the weekly program table.

Press “**Apply**” once program insertion is completed;

The following screen is displayed:

Programs List

Name	Owner	Event type	Start data program	End data program	Operations
I/O Board	administrator	Weekly for I/O devices	Mon, 01 Jun 2012	Sat, 29 Sep 2012	<input type="checkbox"/>

The program "I/O board" saved

IMPORTANT: to function, the created programs must be enabled.

Event creation - Special per unit

The Special per unit program is similar to the Weekly Program, but allows creating a specific event that will have priority over every other parameter set for the Units or for the Output boards, both through Weekly Program and in any control given by the User.

Every Special Event must have a start date, start time and end date.

Important: Sabianet does not allow entering data that contrast with each other.

Administration Manage System Monitoring Manage events Report & Statics

Events wizard

Select a kind of event

Event type

Weekly for units weekly for I / O devices

Special for units Special for I / O devices

1 2

The Special Events window opens:

Define the following from the Special Events square:

- Set the program name
- Select when the program must be enabled (Start Date and End Date)
- Select the units

Select the Units from the square if wanting to set an event for each selected Unit, or the Unit group name (if present) if wanting to intervene on Groups of Units.

- Define the wanted actions

Choose the wanted operation parameters in the window. Attention, two different events cannot have the same start time.

Press **“Apply”** once selection is completed.

The event will appear in the special program table:

Administration | Manage System | Monitoring | Manage events | Report & Statics

Program name:

Start Date: End Date:

Dispositivi:

State:
 Mode:
 Temperature:
 Fan speed:
 Time start:

Apply

Operations

06:00 On Fan 23°C High

Apply

Cancel

Press "Apply" once program insertion is completed; the following screen is displayed:

Administration | Manage System | Monitoring | Manage events | Report & Statics

Programs list

Name	Owner	Event type	Start data program	End data program	Operations
Special for unit 1	administrator	Special for units	Mon, 02 Jul 2012	tue, 03 Jul 2012	

New

The program "Special for unit 1" saved

IMPORTANT: to function, the created programs must be enabled.

Event creation - Special for I/O board

Select the event and press "Apply";
 The event creation window opens.

Release 0.89 | 2012-06-01 11:09 | administrator | Logout

Administration | Manage System | Monitoring | Manage events | Report & Statics

Events wizard

Select a kind of event

Event type

Weekly for units weekly for I / O devices

Special for units Special for I / O devices

Apply

1

2

Release 0.89 2012-06-01 11:09 administrator Logout

Administration Manage System Monitoring Manage events Report & Statics

Program name: Devices:

Start date: End date:

Output #1
 Output #2
 Output #3
 Output #4
 Output #5
 Output #6
 Output #7
 Output #8

Time start:

Mouse click to select
 Ctrl + mouse click to undo select
 Shift (Majusc) + mouse Click to multiple select

Operations

07:00 On Off Off Off Off Off Off Off

Press “Apply” once program insertion is completed; the following screen is displayed:

ation Manage System Monitoring Manage events Report & Statics

Programs List

Name	Owner	Event type	Start data program	End data program	Operations
Special I/O Board	administrator	Special for I/O devices	Mon, 01 Jun 2012	Sat, 29 Sep 2012	<input type="button" value="E"/> <input type="button" value="P"/> <input type="button" value="X"/>

The program "Special I/O board" saved

IMPORTANT: to function, the created programs must be enabled.

Statistics & Report

Sabianet allows consulting reports and charts for the system's performance.

- **Errors report** – details the communication errors per device, with regard to the selection operating period.
- **Costs report** – provides the unit's electric consumption flow, with regard to the operating period. (only if the machine models have been associated - see paragraph.....)
- **Events report** – shows all occurred unit events, with regard to the operating period.
- **Allarm report** – details the signalled alarms per day and device, with regard to the selection operating period.
- **Status changes report** – shows all changes made on the units.

It is also possible to display two types of charts:

- **Errors graph** – displays the percentage of communication errors on the devices.
- **Temperature graph** – displays the temperature flow of the probe chosen for the device.

Select the wanted entry from the Statistics & Report menu:

The screenshot displays the Sabianet web interface. At the top, there is a navigation bar with tabs: Administration, Manage System, Monitoring, Manage events, and Statistics & Report (which is currently selected). The top right corner shows 'Release 0.83', '2012-06-01 11:09', 'administrator', and a 'Logout' link.

The main content area is divided into several sections:

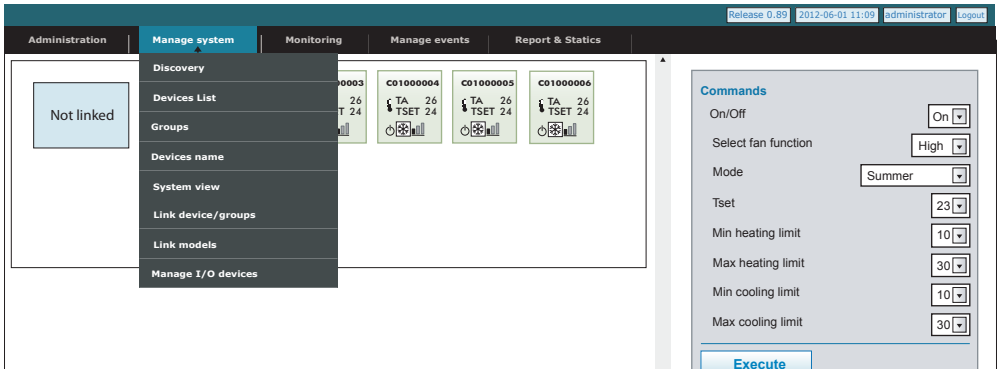
- Left Panel:** A box labeled 'Nott Linked' and five device status cards. Each card shows a device ID (e.g., C01000001), TA (26), TSET (24), and a small bar chart.
- Statistics & Report Menu:** A dropdown menu is open, listing: Errors graph, Temperature graph, Errors report, Costs report, Events report, Allarm report, and Status changes report.
- Commands Panel:** A control panel with various settings:
 - On/Off: On (dropdown)
 - Select fan function: High (dropdown)
 - Mode: Summer (dropdown)
 - Tset: 23 (dropdown)
 - Min heating limit: 10 (dropdown)
 - Max heating limit: 30 (dropdown)
 - Min cooling limit: 10 (dropdown)
 - Max cooling limit: 30 (dropdown)Buttons: Execute, All on, All off.
- Blocks Panel:** A control panel with radio button options:
 - All action: Yes No
 - On / Off: Yes No
 - Block modality: Yes No
 - Block temperature set: Yes No
 - Block fan: Yes NoButton: Execute.

Manage System

This menu allows managing and setting the main system parameters, such as:

- Create Groups of units
- Associate names to units
- Display the list of devices in the system network
- Associate a unit to a group
- Run association of the devices found during discovery to the consumption calculation models
- Run Discovery
- Indicate the inputs and outputs of the I/O devices found in the system names.

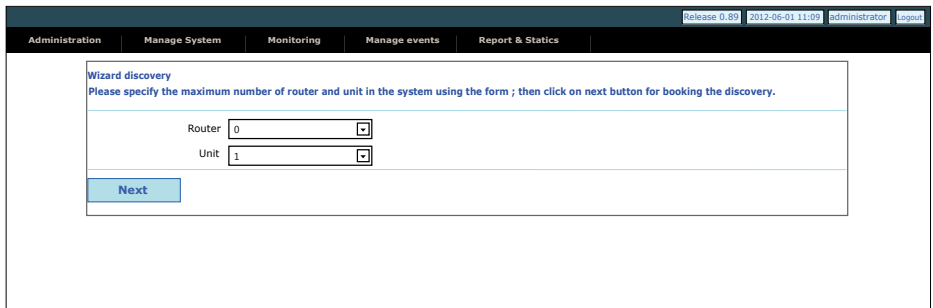
Select the wanted entry from the Manage system menu:



- Run Discovery

Discovery is used to search the units in the system. This operation is automatically run upon commissioning; discovery must be run again by pressing the “**Discovery**” key from the **Manage system**, if one or more new appliances are added.

The screen proposes:



Enter the router and units forming part of the system, number, and press “**Next**”.
Now follow the instructions as previously described in the paragraph at page 16.

- Devices List

Allows displaying the list of devices found during discovery.

The screenshot shows the 'Devices List' page with a navigation bar at the top containing 'Administration', 'Manage System', 'Monitoring', 'Manage events', and 'Report & Statics'. The page is titled 'Release 0.89' and shows the date '2012-06-01 11:09' and user 'administrator' with a 'Logout' button.

Summary

Router	Device under the router
Level 0	6
Total Router	0
I/O Total	0
Total unit	6

Devices details

Serial	Description	Routing	Address	Active
13243722550100392660	Cassette ECM	---	1	✓
13243722551049471815	Cassette ECM	---	2	✓
13243722550564815290	Cassette ECM	---	3	✓
13243722540990113409	Cassette ECM	---	4	✓
13243722540729379656	Cassette ECM	---	5	✓
13305248220886589674	Cassette ECM	---	6	✓

- Groups

This setting allows creating new groups names and display the previously created ones.

The screenshot shows the 'Groups' page with a navigation bar at the top containing 'Administration', 'Manage System', 'Monitoring', 'Manage events', and 'Report & Statics'. The page is titled 'Release 0.89' and shows the date '2012-06-01 11:09' and user 'administrator' with a 'Logout' button.

Wizard discovery
Groups in the system

Name

Add

#	Name	
1	group1	✗

- Devices name

This setting allows associating a name to the system units, or delete an already present association and re-name it with another name:

To add a unit:

- 1 - Choose a unit from the "device" cell.
- 2 - Enter the unit's name in the "Name" cell.
- 3 - Press "Add"

The screenshot shows the 'Devices name' page with a navigation bar at the top containing 'Administration', 'Manage System', 'Monitoring', 'Manage events', and 'Report & Statics'. The page is titled 'Release 0.89' and shows the date '2012-06-01 11:09' and user 'administrator' with a 'Logout' button.

Wizard discovery
Name to device link

Device ← 1 = Choose a unit

Name ← 2 = Enter the unit's name

Add ← 3 = Press "Add".

The added names are highlighted in the following table.

Administration | Manage System | Monitoring | Manage events | Report & Statics

Wizard discovery
Name to device link

Device: ← 3 = Choose a unit

Name: ← 4 = Enter the unit's name

← Auto-naming ← 5 = Press "Add".

1 = Choose a unit

#	Type (Address)	Name	
1	Cassette ECM (routing: 1.0.0 addr: 1)	unit 1	
2	Cassette ECM (routing: 1.0.0 addr: 2)	unit 2	
3	Cassette ECM (routing: 1.0.0 addr: 3)	unit 3	
4	Cassette ECM (routing: 1.0.0 addr: 4)	unit 4	

2 = Choose a unit

To change name to the unit:

- 1 - Choose a unit from the table's list
- 2 - Use the symbol; the name association to the unit is deleted.
- 3 - The unit is now proposed in the list of the "device" cell.
- 4 - Enter the unit's new name in the "Name" cell.
- 5 - Press "Add"

- System View

This function allows displaying how the system is divided and composed (displays the units and any groups).

Release 0.89 | 2012-06-01 11:09 | administrator | Logout

Administration | Manage System | Monitoring | Manage events | Report & Statics

Group 1

- C01000001
- C01000002
- C01000003

Not linked

- C01000004
- C01000005
- C01000006
- C01000007
- C01000008
- C01000009
- C01000010
- C02000001
- F03210022
- F03210023
- F03210024
- F03210025
- F03210026
- F03210027
- F03210028
- F03210029
- F03210030
- F03210031
- I03000032

- Link Devices / Groups

This function allows associating the units to the groups; or eliminate a previously created association.

ator: RUN - Scanner: Caching reading | Release 1.0 | 2012-11-21 15:25 | administrator | Logout

Administration | Manage system | Monitoring | Manage events | Report & Statics

Wizard discovery
Groups to device link

Group:

Devices:

- c01000002
- C01000003
- C01000004
- C01000005
- C01000006
- C01000007
- C01000008
- C01000009
- C01000010

Mouse click to select
CTRL + mouse click to undo select
SHIFT + mouse click to multiple select

#	Group	Devices
---	-------	---------

- Link Models

This function allows associating the units found during discovery to the relative consumption calculation models. This operation is essential if wanting to use the "Costs Report".

By automatically selecting a device from the list on the left, the type of said unit is highlighted; Now associate the model to the selected device. The association is shown in the table.

Devices	Type	Models	
C01000001	Cassette ECM	SK-ECM 2	

- Manage I/O device

This function allows associating a name to every input and to every output of the I/O board (if present).

Administration

ATTENTION! do not use these functions. Operation is for the exclusive use of the manufacturer. This menu allows managing and running settings relating to:

- *Manage Languages*
- *Manage users*
- *Manage Privileges*
- *Manage profiles*
- *Manage system*

Select the wanted entry from the “Administration” menu:

The screenshot shows a web-based control system interface. At the top, there is a navigation bar with the following tabs: Administration (selected), Manage System, Monitoring, Manage events, and Report & Statics. The top right corner displays 'Release 0.89', '2012-05-01 11:09', 'administrator', and 'Logout'. The 'Administration' menu is open, showing a list of options: Manage Language, Manage users, Manage privileges, Manage profile, and Manage system. The main content area displays five control cards for units C01000002 through C01000006. Each card shows 'TA 26' and 'TSET 24' with a fan icon and a bar chart. On the right side, there are two panels. The 'Commands' panel includes: On/Off (On), Select fan function (High), Mode (Summer), Tset (23), Min heating limit (10), Max heating limit (30), Min cooling limit (10), and Max cooling limit (30). Below these are 'Execute', 'All on', and 'All off' buttons. The 'Blocks' panel includes: All action (radio buttons Yes/No), On / Off (radio buttons Yes/No), Block modality (radio buttons Yes/No), Block temperature set (radio buttons Yes/No), and Block fan (radio buttons Yes/No). Below these are 'Execute' and 'All off' buttons.

NOTES:

NOTES:

