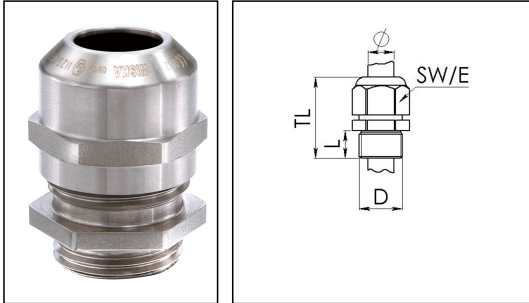


ESSKE 32

Ex-cable gland, stainless steel



Product illustrations are exemplary and may differ from the chosen product. Further variants and individual customization, we will gladly provide you on request.



| | |
|--------------------------|---|
| Material cable gland | Stainless steel A2 (1.4305) |
| Material clamping cage | Polyamide |
| Material sealing gasket | EPDM |
| Temp. range min | -40 °C |
| Temp. range max | 75 °C |
| Protection class | IP 68, 5 bar 30 min, IP 69K |
| Marking | II 2 G Ex e IIC Gb, II 2 D Ex tb IIIC Db IP68 |
| Approval | IECEX PTB 13.0035X, PTB 05 ATEX 1098 X |
| Thread type | M |
| Connection thread size D | 32 |
| Lead | 1,5 |
| Length screw-in thread L | 8 mm |
| Cable diameter min | 13 mm |
| Cable diameter max | 21 mm |
| Cable Diameter UL | 14,6 mm - 19,5 mm |
| Key width SW | 36 mm |
| Collar diameter (E) | 40 mm |
| Total length TL | 36 mm - 44 mm |
| Type of cable anchorage | A |
| Install. torques fitting | 20 N m |
| Install. torques cap nut | 20 N m |
| Impact category | 6 |
| WISKA-Order no. | 10069204 |
| Type | ESSKE 32 |
| Packing unit | 5 |

ETIM-Classification

EC000441

Recommended accessories

| | |
|----------------|----------|
| RDE 32 | 10062186 |
| BS 14 | 10064011 |
| BS 21 | 10064014 |
| ESMU 32 | 10064192 |

23.02.2015