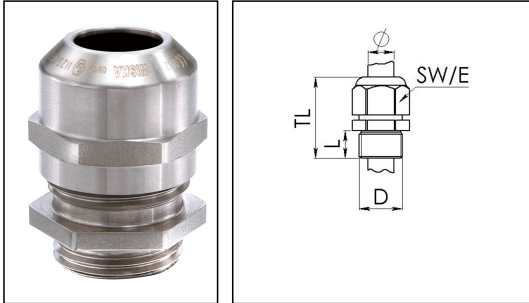


ESSKE 25

Ex-cable gland, stainless steel



Product illustrations are exemplary and may differ from the chosen product. Further variants and individual customization, we will gladly provide you on request.



Material cable gland	Stainless steel A2 (1.4305)
Material clamping cage	Polyamide
Material sealing gasket	EPDM
Temp. range min	-40 °C
Temp. range max	75 °C
Protection class	IP 68, 5 bar 30 min, IP 69K
Marking	II 2 G Ex e IIC Gb, II 2 D Ex tb IIIC Db IP68
Approval	IECEX PTB 13.0035X, PTB 05 ATEX 1098 X
Thread type	M
Connection thread size D	25
Lead	1,5
Length screw-in thread L	7 mm
Cable diameter min	10 mm
Cable diameter max	17 mm
Cable Diameter UL	10,8 mm - 15,8 mm
Key width SW	30 mm
Collar diameter (E)	33 mm
Total length TL	33 mm - 42 mm
Type of cable anchorage	A
Install. torques fitting	15 N m
Install. torques cap nut	15 N m
Impact category	6
WISKA-Order no.	10069203
Type	ESSKE 25
Packing unit	10

ETIM-Classification

EC000441

Recommended accessories

RDE 25	10060768
BS 12	10064009
BS 17	10064012
ESMU 25	10064191

23.02.2015