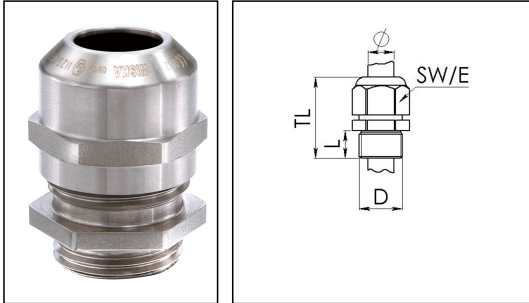


## ESSKE 16

Ex-cable gland, stainless steel



Product illustrations are exemplary and may differ from the chosen product. Further variants and individual customization, we will gladly provide you on request.



Material cable gland	Stainless steel A2 (1.4305)
Material clamping cage	Polyamide
Material sealing gasket	EPDM
Temp. range min	-40 °C
Temp. range max	75 °C
Intermittent temp. range	120 °C
Protection class	IP 68, 5 bar 30 min, IP 69K
Marking	II 2 G Ex e IIC Gb, II 2 D Ex tb IIIC Db IP68
Approval	IECEx PTB 13.0035X, PTB 05 ATEX 1098 X
Thread type	M
Connection thread size D	16
Lead	1,5
Length screw-in thread L	5 mm
Cable diameter min	5 mm
Cable diameter max	10 mm
Cable Diameter UL	6 mm - 8,6 mm
Key width SW	22 mm
Collar diameter (E)	24 mm
Total length TL	26 mm - 34 mm
Type of cable anchorage	A
Install. torques fitting	7,5 N m
Install. torques cap nut	7,5 N m
Impact category	6
WISKA-Order no.	10069201
Type	ESSKE 16

Packing unit

10

ETIM-Classification

EC000441

Recommended accessories

<b>RDE 16</b>	10062184
<b>BS 6</b>	10064004
<b>BS 10</b>	10064008
<b>ESMU 16</b>	10064189

23.02.2015