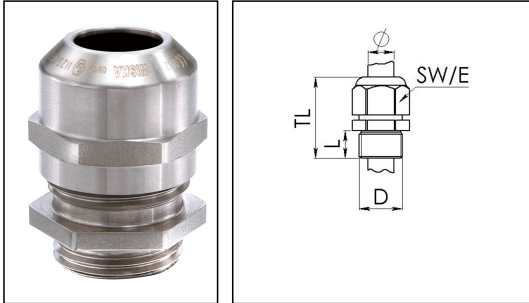


## ESSKE 12

Ex-cable gland, stainless steel



Product illustrations are exemplary and may differ from the chosen product. Further variants and individual customization, we will gladly provide you on request.



Material cable gland	Stainless steel A2 (1.4305)
Material clamping cage	Polyamide
Material sealing gasket	EPDM
Temp. range min	-40 °C
Temp. range max	75 °C
Protection class	IP 68, 5 bar 30 min, IP 69K
Marking	II 2 G Ex e IIC Gb, II 2 D Ex tb IIIC Db IP68
Approval	IECEX PTB 13.0035X, PTB 05 ATEX 1098 X
Thread type	M
Connection thread size D	12
Lead	1,5
Length screw-in thread L	5 mm
Cable diameter min	4 mm
Cable diameter max	7 mm
Cable Diameter UL	4,1 mm - 6 mm
Key width SW	17 mm
Collar diameter (E)	19 mm
Total length TL	23 mm - 30 mm
Type of cable anchorage	A
Install. torques fitting	5 N m
Install. torques cap nut	5 N m
Impact category	6
WISKA-Order no.	10069200
Type	ESSKE 12
Packing unit	10

ETIM-Classification

EC000441

Recommended accessories

<b>RDE 12</b>	10062183
<b>BS 3</b>	10064001
<b>BS 7</b>	10064005
<b>ESMU 12</b>	10064188

23.02.2015