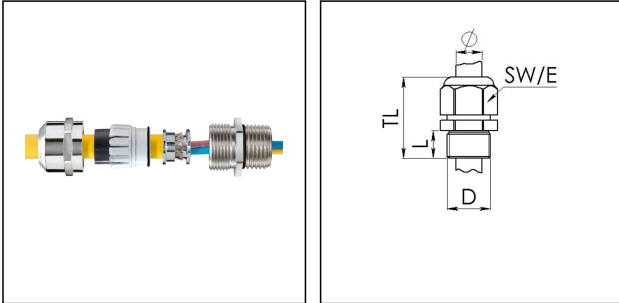


## EMSKE-L 32 EMV-Z

Ex-EMC-cable gland, brass with long thread



Product illustrations are exemplary and may differ from the chosen product. Further variants and individual customization, we will gladly provide you on request.



Material cable gland	Brass nickel-plated
Material clamping cage	Polyamide
Material sealing gasket	EPDM
Temp. range min	-40 °C
Temp. range max	75 °C
Protection class	IP 66 / IP 68, 5 bar 30min
Marking	II 2 D Ex tb IIIC Db IP68, II 2 G Ex e IIC Gb
Approval	PTB 04 ATEX 1112 X
Thread type	M
Connection thread size D	32
Lead	1,5
Length screw-in thread L	15 mm
Cable diameter min	13 mm
Cable diameter max	21 mm
Cable Diam. below cable shield	20 mm
Cable Diameter UL	14,6 mm - 19,5 mm
Key width SW	36 mm
Collar diameter (E)	40 mm
Total length TL	43 mm - 51 mm
Install. torques fitting	20 N m
Install. torques cap nut	20 N m
Type of cable anchorage	A
Impact category	6
Surface	Nickel-plated
Order no. nickel-plated	10065926

<b>Type</b>	EMSKE-L 32 EMV-Z
<b>Packing unit</b>	25
<b>ETIM-Classification</b>	EC000441

Recommended accessories

<b>RDE 32</b>	10062186
<b>EMMU-EMV 32</b>	10063214
<b>BS 14</b>	10064011
<b>BS 21</b>	10064014

23.02.2015