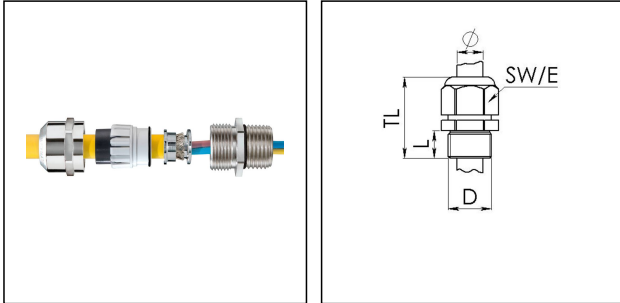


EMSKE-L 25 EMV-Z

Ex-EMC-cable gland, brass with long thread



Product illustrations are exemplary and may differ from the chosen product. Further variants and individual customization, we will gladly provide you on request.



Material cable gland	Brass nickel-plated
Material clamping cage	Polyamide
Material sealing gasket	EPDM
Temp. range min	-40 °C
Temp. range max	75 °C
Protection class	IP 66 / IP 68, 5 bar 30min
Marking	II 2 D Ex tb IIIC Db IP68, II 2 G Ex e IIC Gb
Approval	PTB 04 ATEX 1112 X
Thread type	M
Connection thread size D	25
Lead	1,5
Length screw-in thread L	12 mm
Cable diameter min	10 mm
Cable diameter max	17 mm
Cable Diam. below cable shield	16 mm
Cable Diameter UL	10,8 mm - 15,8 mm
Key width SW	29 mm
Collar diameter (E)	32 mm
Total length TL	38 mm - 47 mm
Install. torques fitting	10 N m
Install. torques cap nut	10 N m
Type of cable anchorage	A
Impact category	6
Surface	Nickel-plated
Order no. nickel-plated	10065925

Type	EMSKE-L 25 EMV-Z
Packing unit	50
ETIM-Classification	EC000441

Recommended accessories

RDE 25	10060768
EMMU-EMV 25	10063213
BS 12	10064009
BS 17	10064012

23.02.2015