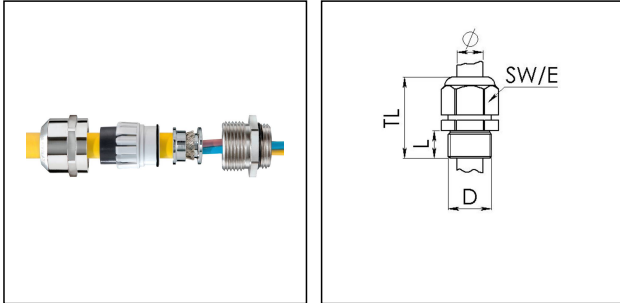


EMSKE 16 EMV-Z

Ex-EMC-cable gland, brass with short thread



Product illustrations are exemplary and may differ from the chosen product. Further variants and individual customization, we will gladly provide you on request.



Material cable gland	Brass nickel-plated
Material clamping cage	Polyamide
Material sealing gasket	EPDM
Temp. range min	-40 °C
Temp. range max	75 °C
Protection class	IP 66 / IP 68, 5 bar 30min
Marking	II 2 D Ex tb IIIC Db IP68, II 2 G Ex e IIC Gb
Approval	PTB 04 ATEX 1112 X
Thread type	M
Connection thread size D	16
Lead	1,5
Length screw-in thread L	5 mm
Cable diameter min	4,5 mm
Cable diameter max	10 mm
Cable Diam. below cable shield	7,5 mm
Cable Diameter UL	6 mm - 8,6 mm
Key width SW	20 mm
Collar diameter (E)	22 mm
Total length TL	26 mm - 34 mm
Install. torques fitting	4 N m
Install. torques cap nut	4 N m
Type of cable anchorage	A
Impact category	6
Surface	Nickel-plated
Order no. nickel-plated	10065057

Type

EMSKE 16 EMV-Z

Packing unit

50

ETIM-Classification

EC000441

Recommended accessories

RDE 16

10062184

EMMU-EMV 16

10063211

BS 6

10064004

BS 10

10064008

23.02.2015