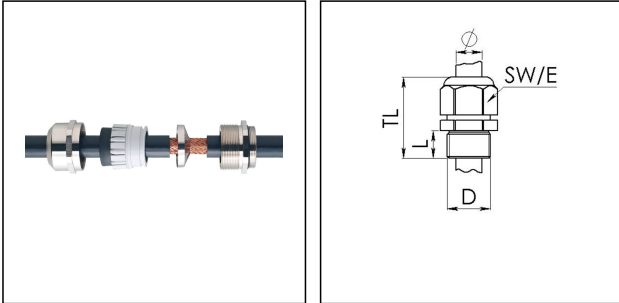


EMSKE 16 EMV-S

Ex-EMC-cable gland, brass



Product illustrations are exemplary and may differ from the chosen product. Further variants and individual customization, we will gladly provide you on request.



Material cable gland	Brass nickel-plated
Material clamping cage	Polyamide
Material sealing gasket	EPDM
Temp. range min	-40 °C
Temp. range max	75 °C
Protection class	IP 66 / IP 68, 5 bar 30min
Marking	II 2 D Ex tb IIIC Db IP68, II 2 G Ex e IIC Gb
Approval	PTB 04 ATEX 1112 X
Thread type	M
Connection thread size D	16
Lead	1,5
Length screw-in thread L	5 mm
Cable diameter min	4,5 mm
Cable diameter max	10 mm
Cable Diam. below cable shield	7,5 mm
Key width SW	20 mm
Collar diameter (E)	22 mm
Total length TL	26 mm - 34 mm
Install. torques fitting	4 N m
Install. torques cap nut	4 N m
Type of cable anchorage	A
Impact category	6
Surface	Nickel-plated
Order no. nickel-plated	10102972
Type	EMSKE 16 EMV-S

Recommended accessories

RDE 16	10062184
EMMU-EMV 16	10063211
BS 6	10064004
BS 10	10064008

23.02.2015