

Content

1.The Basic Structure of Slewing Bearing	02
2.The Naming of Slewing Bearing	04
3.Slewing Bearing Raceway and Gear Heat Treatment	05
4.Single Row Four point Contact Ball Slewing Bearing	
Technical Data	06
Load Curve Capacity	16
5.Single Row Crossed Roller Slewing Bearing	
Technical Data	22
Load Curve Capacity	28
6.Double Row Ball Slewing Bearing	
Technical Data	32
Load Curve Capacity	38
7.Three Row Roller Slewing Bearing	
Technical Data	42
Load Curve Capacity	48
8.Thin Section Slewing Bearing (Light Type)	
Technical Data	52
Load Curve Capacity	56
9.Thin Section Slewing Bearing (Flange)	
Technical Data	54
Load Curve Capacity	56

Introduction to enterprise



Slewing Bearing Co.,Ltd. is a professional manufacturer and exporter of slewing bearing, slewing drives, which are mainly applied in port machinery, mining machinery, welding machinery, construction vehicles, modular vehicles, single or dual axis solar tracking systems, and small wind power systems etc.

Slewing bearing/drives can bear axial force, radial force and tilting moment.The diameter range of slewing bearing can be from 200 mm to 4000 mm For slewing drive, there are nine (9) different sizes available from 3" to 25" with more than 60 models to meet both regular and precise tracking requirements in PV, CPV and solar thermal power tracking fields.For detailed information pls download our catalogue.

Wanda delivers custom-engineered solutions to customers in 34 countries. Our manufacturing standard is according to machinery standard JB/T2300-2011, we also has been found the efficient Quality Management Systems(QMS) of ISO 9001:2008 and GB/T19001-2008. We devote ourselves to the R &D of customized slewing bearing with high precision,special purpose and requirements.

Wanda team is committed to keep the spirit of continuous improvement and focus our strategy of strict quality control standards, quick response, prompt delivery and low price.We look forward to working on all of our customers' growing demands. Our ability to optimize the bearing design for your specific needs is unparalleled and we will assist you throughout the design, manufacturing and implementation process.

1.The Basic Structure of Slewing Bearing

Slewing bearing have many forms, but the structure composed almost the same. Figure 1 is the basic structure of slewing bearing.

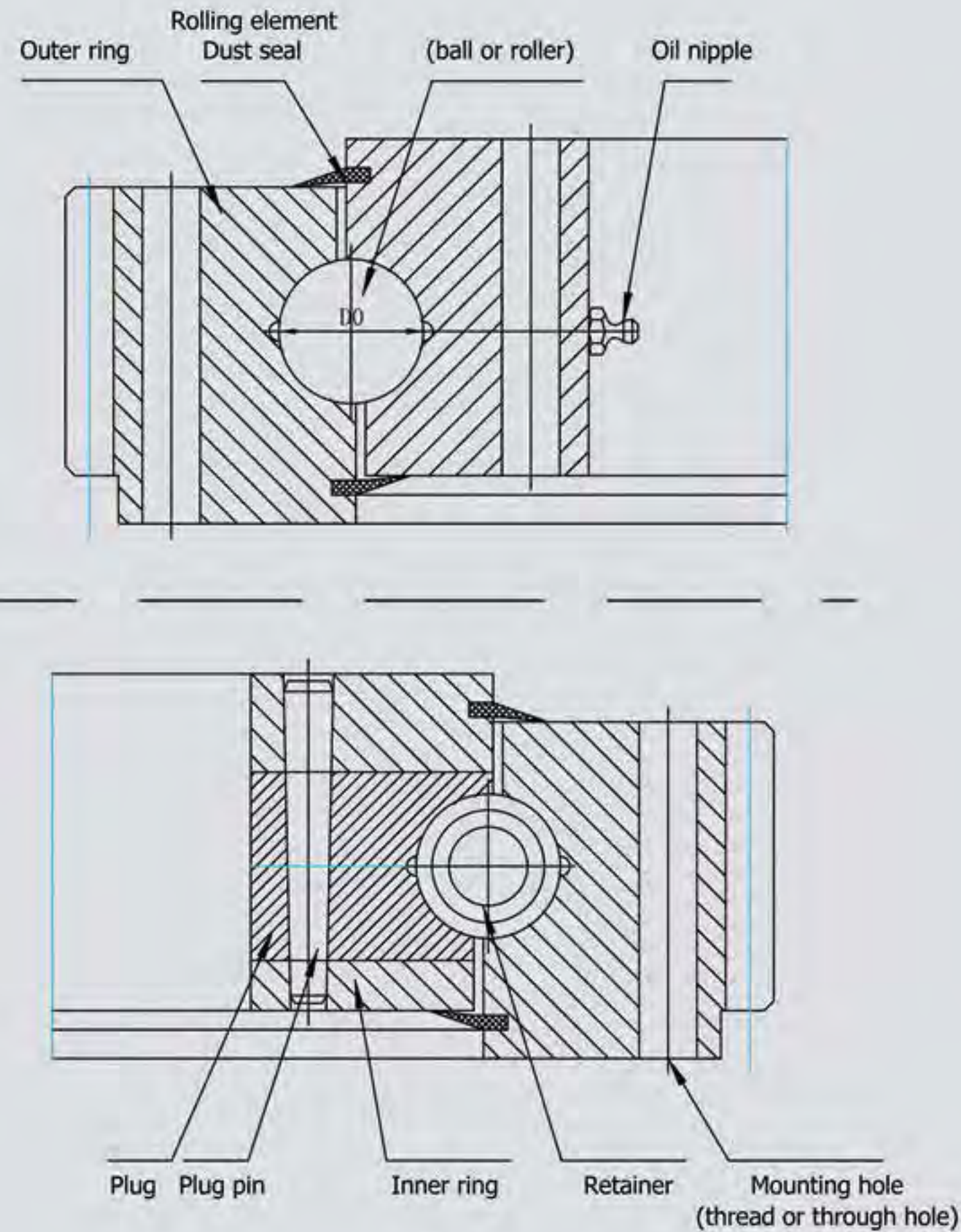


Fig. 1

Single Row Four Point Contact ball Structure



Single Row Crossed Roller Structure



Double Row different Ball Structure



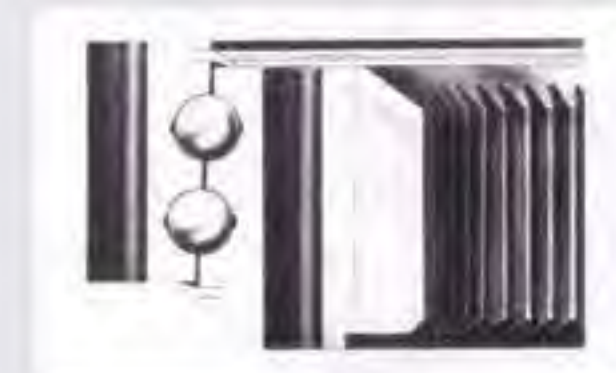
Three Row Roller Structure



Ball and Roller Combination Structure

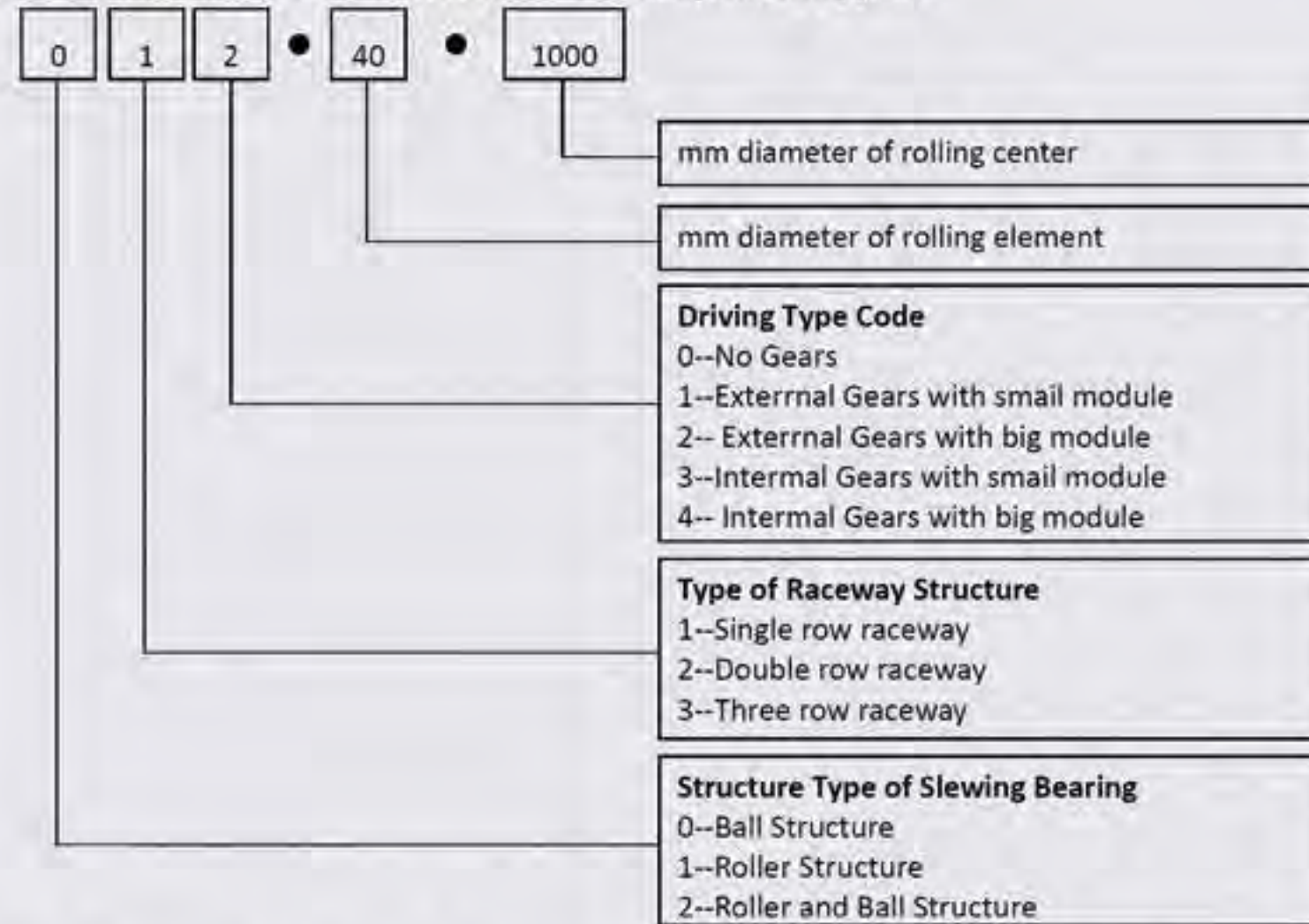


Double Row Ball Structure



2.The Naming of Slewing Bearing

2.1 The examples of specification for standard types



2.2 The Naming of Slewing Bearing -- Standard JB/T2300-1900

(1) Structure type of slewing bearing

- 0--ball series slewing bearing
- 1--roller series slewing bearing
- 2--roller and ball combination slewing bearing

(2) Type of raceway structure

- 1--Single row crossed roller series, single row four point contact series
- 2--Double row different ball series
- 3--Three row roller series

(3) Driving type code

- 0--Ungeared
- 1--External Involute gears meshing small module
- 2--External Involute gears meshing large module
- 3--Internal Involute gears meshing small module
- 4--External Involute gears meshing large module

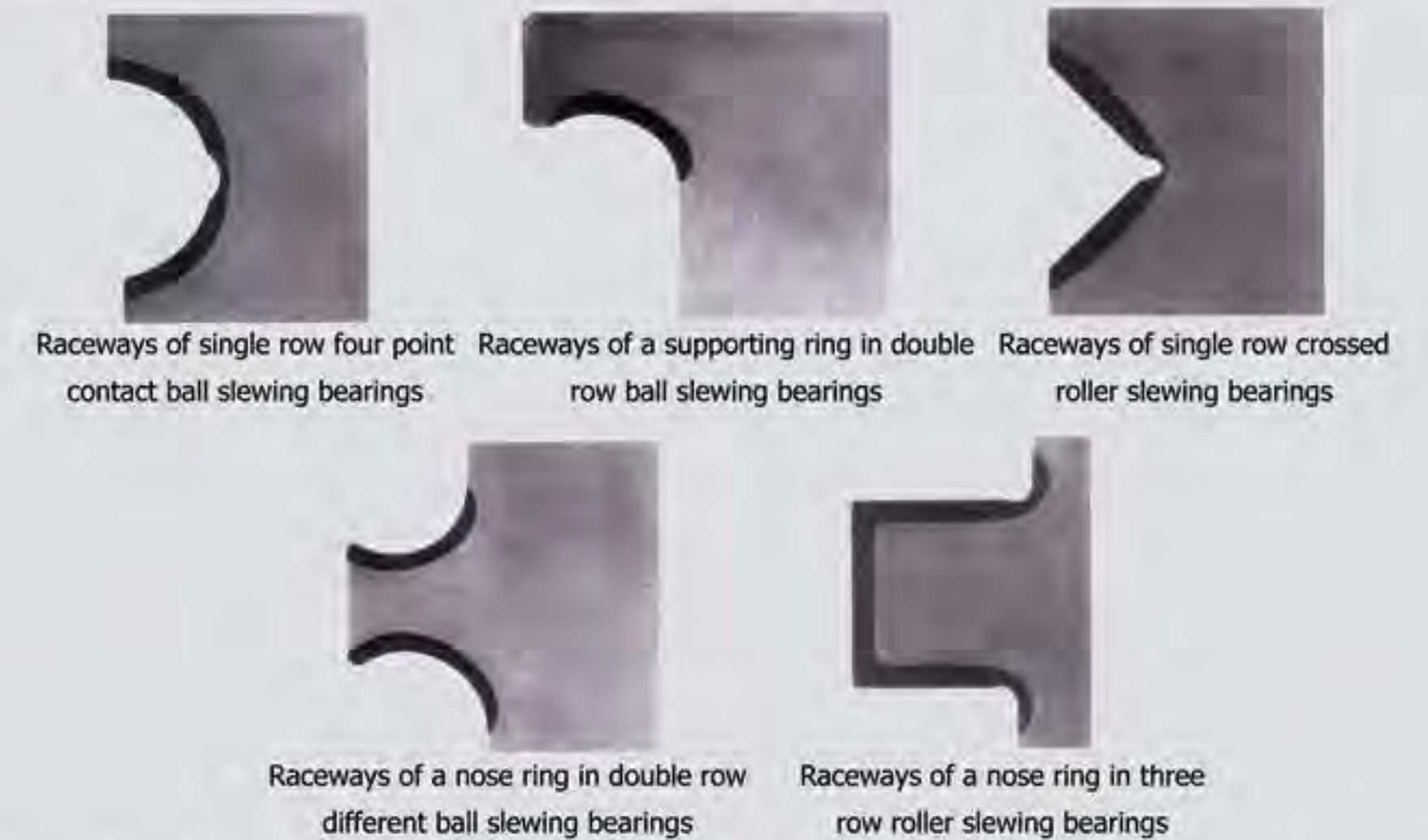
(4) Rolling element(steel ball or roller) diameter

(5) Diameter of rolling center

3.Slewing Bearing Raceway and Gear Heat Treatment

Raceway heat treatment

Our company has advanced induction quenching lathe,all the slewing bearings' raceway are processed by surface induction quenching.The hardness will assure in the range of 55HRC ~ 62HRC,and can reach to enough depth for quenching.



Gear heat treatment

The statement of gear heat treatment normally have two statement, normalizing and tempering.The quenching of gear surface can processed according to customer's requirement,the hardness are in the range of 50HRC ~ 60HRC. In different application,the gear quenching can divide into whole tooth quenching and single tooth induction quenching,the latter one can divide into tooth surface & root quenching and tooth surface quenching.



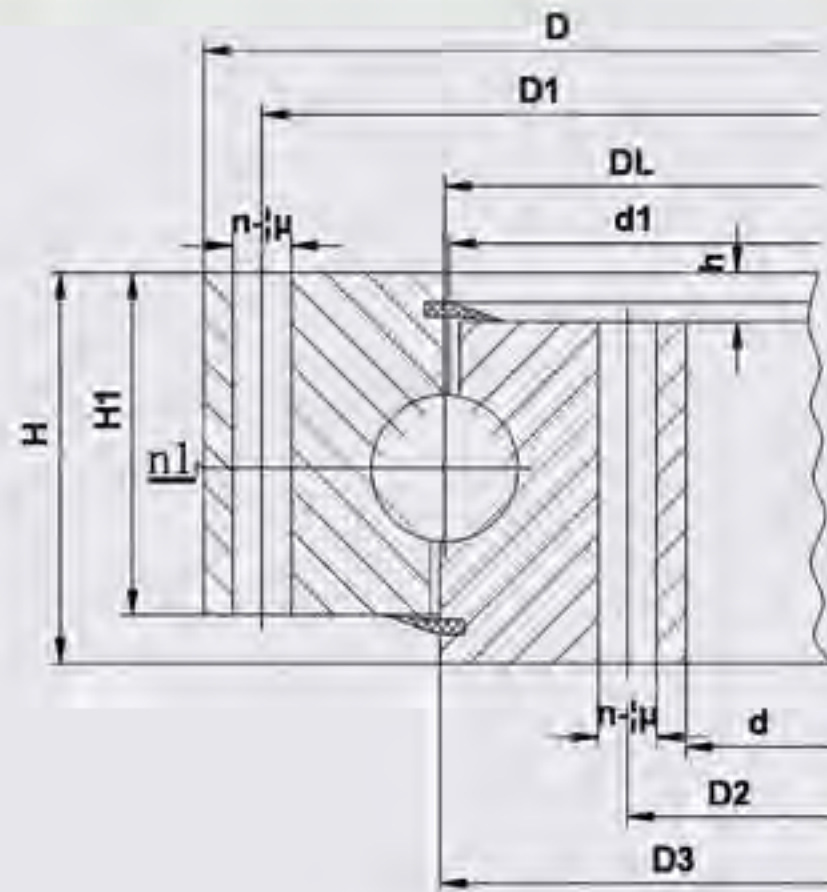
4.Single Row Four point Contact Ball Slewing Bearing

Characteristic of structure, performance and application

The single row four point contact ball slewing bearing is composed of two seat rings, which design in compact structure and light weight, steel ball contact with the circular raceway at four point, it can bear the axial force, radial force and the tilting moment at the same time.

It can be used for slewing conveyer, welding manipulator, light & medium duty crane, excavator, and other construction machinery.

① Ung geared (010 Series)



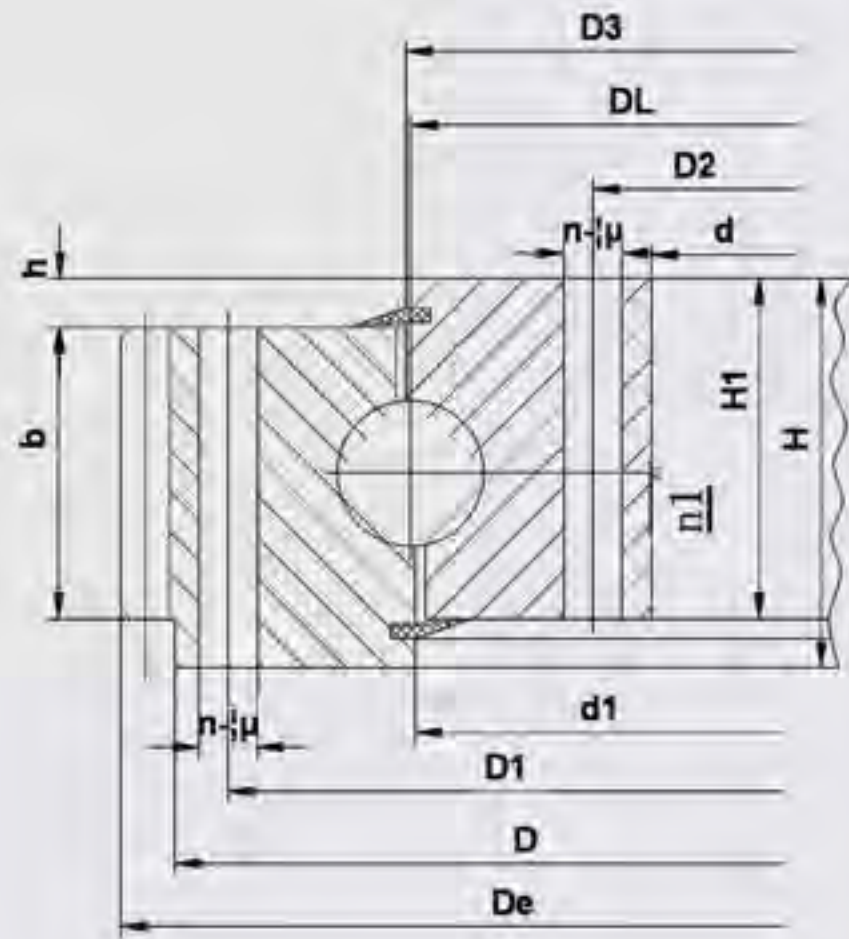
010

Note:

1. n1 is the nos of lubricating holes.Oil cup M10×1JB/T7940.1~JB/T7940.2.The Oil nipple's location can be change according to the user's application.
2. n-φ can change to tapped hole,the diameter of tapped hole is M,depth is 2M.
3. The tangential tooth force in the form is the max tooth force,the nominal tangential tooth force is 1/2 of the max one.
4. "K" is addendum reduction coefficient.

No	Non gear D L mm	Dimensions			Mounting Dimensions					Structural Dimension				Gear data				Tooth force		weight kg					
		D mm	d mm	H mm	D 1 mm	D 2 mm	n	Ø mm	dm mm	L mm	n 1	D 3 mm	d 1 mm	H 1 mm	h mm	b mm	x	M mm	D e mm		z	Norm alizing Z10 ⁴ N	Quen ching T10 ⁴		
1	010.20.200	280	120	60	248	152	12	16	M14	28	2	201	199	50	10									20	
2	010.20.224	304	144	60	272	176	12	16	M14	28	2	225	223	50	10										22
3	010.20.250	330	170	60	298	202	18	16	M14	28	2	251	249	50	10										25
4	010.20.280	360	200	60	328	232	18	16	M14	28	2	281	279	50	10										28
5	010.25.315	408	222	70	372	258	20	18	M16	32	2	316	314	60	10										44
6	010.25.355	448	262	70	412	298	20	18	M16	32	2	356	354	60	10										49
7	010.25.400	493	307	70	457	343	20	18	M16	32	2	401	399	60	10										56
8	010.25.450	543	357	70	507	393	20	18	M16	32	2	451	449	60	10										62
9	010.30.500	602	398	80	566	434	20	18	M16	32	4	501	498	70	10										85
9'	010.25.500	602	398	80	566	434	20	18	M16	32	4	501	499	70	10										85
10	010.30.560	662	458	80	626	494	20	18	M16	32	4	561	558	70	10										95
10'	010.25.560	662	458	80	626	494	20	18	M16	32	4	561	559	70	10										95
11	010.30.630	732	528	80	696	564	24	18	M16	32	4	631	628	70	10										110
11'	010.25.630	732	528	80	696	564	24	18	M16	32	4	631	629	70	10										110
12	010.30.710	812	608	80	776	644	24	18	M16	32	4	711	708	70	10										120
12'	010.25.710	812	608	80	776	644	24	18	M16	32	4	711	709	70	10										120
13	010.40.800	922	678	100	878	722	30	22	M20	40	6	801	798	90	10										220
13'	010.30.800	922	678	100	878	722	30	22	M20	40	6	801	798	90	10										220
14	010.40.900	1022	778	100	978	822	30	22	M20	40	6	901	898	90	10										240
14'	010.30.900	1022	778	100	978	822	30	22	M20	40	6	901	898	90	10										240
15	010.40.1000	1122	878	100	1078	922	36	22	M20	40	6	1001	998	90	10										270
15'	010.30.1000	1122	878	100	1078	922	36	22	M20	40	6	1001	998	90	10										270
16	010.40.1120	1242	998	100	1198	1042	36	22	M20	40	6	1121	1118	90	10										300
16'	010.30.1120	1242	998	100	1198	1042	36	22	M20	40	6	1121	1118	90	10										300
17	010.45.1250	1390	1110	110	1337	1163	40	26	M24	48	5	1252	1248	100	10										420
17'	010.35.1250	1390	1110	110	1337	1163	40	26	M24	48	5	1251	1248	100	10										420
18	010.45.1400	1540	1260	110	1487	1313	40	26	M24	48	5	1402	1398	100	10										480
18'	010.35.1400	1540	1260	110	1487	1313	40	26	M24	48	5	1401	1398	100	10										480
19	011.45.1600	1740	1460	110	1687	1513	45	26	M24	48	5	1602	1598	100	10										550
19'	010.35.1600	1740	1460	110	1687	1513	45	26	M24	48	5	1601	1598	100	10										550
20	010.45.1800	1940	1660	110	1887	1713	45	26	M24	48	5	1802	1798	100	10										610
20'	010.35.1800	1940	1660	110	1887	1713	45	26	M24	48	5	1801	1798	100	10										610
21	010.60.2000	2178	1825	144	2110	1891	48	33	M30	60	8	2002	1998	132	12										1100
21'	010.40.2000	2178	1825	144	2110	1891	48	33	M30	60	8	2001	1998	132	12										1100
22	010.60.2240	2418	2065	144	2350	2131	48	33	M30	60	8	2242	2238	132	12										1250
22'	010.40.2240	2418	2065	144	2350	2131	48	33	M30	60	8	2241	2238	132	12										1250
23	010.60.2500	2678	2325	144	2610	2391	56	33	M30	60	8	2502	2498	132	12										1400
23'	010.40.2500	2678	2325	144	2610	2391	56	33	M30	60	8	2501	2498	132	12										1400
24	010.60.2800	2978	2625	144	2910	2691	56	33	M30	60	8	2802	2798	132	12										1600
24'	010.40.2800	2978	2625	144	2910	2691	56	33	M30	60	8	2802	2798	132	12										1600
25	010.75.3150	3376	2922	174	3286	3014	56	45	M42	84	8	3152	3147	162	12										2800
25'	010.50.3150	3376	2922	174	3286	3014	56	45	M42	84	8	3152	3147	162	12										2800
26	010.75.3550	3776	3322	174	3686	3014	56	45	M42	84	8	3552	3547	162	12										3500
26'	010.50.3550	3776	3322	174	3686	3014	56	45	M42	84	10	3552	3548	162	12										3500
27	010.75.4000	4226	3772	174	4136	3864	60	45	M42	84	10	4002	3997	162	12										4200
27'	010.50.4000	4226	3772	174	4136	3864	60	45	M42	84	10	4002	3998	162	12										4200
28	010.75.4500	4726	4272	174	4636	4364	60	45	M42	84	10	4502	4497	162	12										5100
28'	010.50.4500	4726	4272	174	4636	4364	60	45	M42	84	10	4502	4498	162	12										5100

② External Gear(011/012 Series)



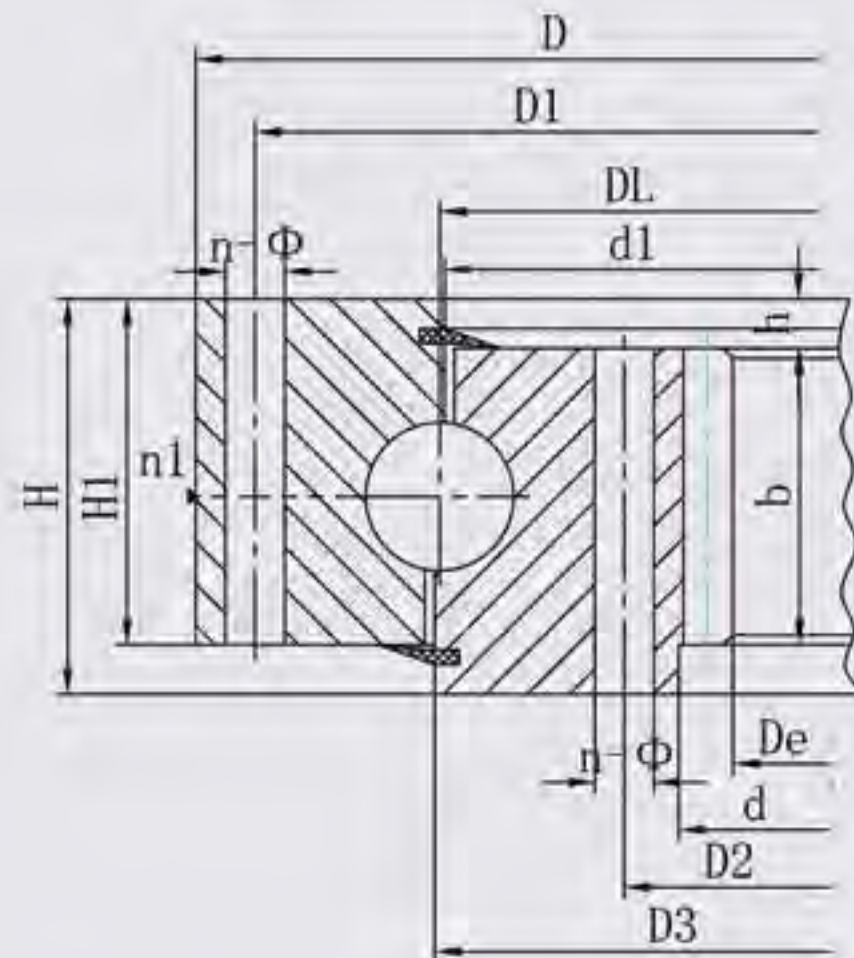
011.012

Note:

1. n1 is the nos of lubricating holes.Oil cup M10×1JB/T7940.1~JB/T7940.2.The Oil nipple's location can be change according to the user's application.
2. n-φcan change to tapped hole,the diameter of tapped hole is M,depth is 2M.
3. The tangential tooth force in the form is the max tooth force,the nominal tangential tooth force is 1/2 of the max one.
4. "K" is addendum reduction coefficient.

No.	External gear D L mm	Dimensions			Mounting Dimensions					Structural Dimension					Gear data			Tooth force		weight kg			
		D mm	d mm	H mm	D 1 mm	D 2 mm	n	∅ mm	dm mm	L mm	n 1	D 3 mm	d 1 mm	H 1 mm	h mm	b mm	x	M mm	D e mm		z	Norma lizing Z10 ⁴ N	Quenc hing T10 ⁴ N
18	011.45.1400	1540	1260	110	1487	1313	40	26	M24	48	5	1402	1398	100	10	90	0.5	12	1605.6	131	13.5	18.8	480
	14																	1607.2	112	15.5	21.9		
18'	011.35.1400	1540	1260	110	1487	1313	40	26	M24	48	5	1401	1398	100	10	90	0.5	12	1605.6	131	13.5	18.8	480
	14																	1607.2	112	15.8	21.9		
19	011.45.1600	1740	1460	110	1687	1513	45	26	M24	48	5	1602	1598	100	10	90	0.5	14	1817.2	127	15.8	21.9	550
	16																	1820.8	111	18.1	25		
19'	011.35.1600	1740	1460	110	1687	1513	45	26	M24	48	5	1601	1598	100	10	90	0.5	14	1817.2	127	15.8	21.9	550
	16																	1820.8	111	18.1	25		
20	011.45.1800	1940	1660	110	1887	1713	45	26	M24	48	5	1802	1798	100	10	90	0.5	14	2013.2	141	15.8	21.9	610
	16																	2012.8	123	18.1	25		
20'	011.35.1800	1940	1660	110	1887	1713	45	26	M24	48	5	1801	1798	100	10	90	0.5	14	2013.2	141	15.8	21.9	610
	16																	2012.8	123	18.1	25		
21	011.60.2000	2178	1825	144	2110	1891	48	33	M30	60	8	2002	1998	132	12	120	0.5	16	2268.8	139	24.1	33.3	1100
	18																	2264.4	123	27.1	37.5		
21'	011.40.2000	2178	1825	144	2110	1891	48	33	M30	60	8	2001	1998	132	12	120	0.5	16	2268.8	139	24.1	33.3	1100
	18																	2264.4	123	27.1	37.5		
22	011.60.2240	2418	2065	144	2350	2131	48	33	M30	60	8	2242	2238	132	12	120	0.5	16	2492.8	153	24.1	33.3	1250
	18																	2498.4	136	27.1	37.5		
22'	011.40.2240	2418	2065	144	2350	2131	48	33	M30	60	8	2241	2238	132	12	120	0.5	16	2492.8	153	24.1	33.3	1250
	18																	2498.4	136	27.1	37.5		
23	011.60.2500	2678	2325	144	2610	2391	56	33	M30	60	8	2502	2498	132	12	120	0.5	18	2768.4	151	27.1	37.5	1400
	20																	2776	136	30.1	41.8		
23'	011.40.2500	2678	2325	144	2610	2391	56	33	M30	60	8	2501	2498	132	12	120	0.5	18	2768.4	151	27.1	37.5	1400
	20																	2776	136	30.1	41.8		
24	011.60.2800	2978	2625	144	2910	2691	56	33	M30	60	8	2802	2798	132	12	120	0.5	18	3074.4	168	27.1	37.5	1600
	20																	3076	151	30.1	41.8		
24'	011.40.2800	2978	2625	144	2910	2691	56	33	M30	60	8	2802	2798	132	12	120	0.5	18	3074.4	168	27.1	37.5	1600
	20																	3076	151	30.1	41.8		
25	011.75.3150	3376	2922	174	3286	3014	56	45	M42	84	8	3152	3147	162	12	150	0.5	20	3476	171	37.7	52.2	2800
	22																	3471.6	155	41.5	57.4		
25'	011.50.3150	3376	2922	174	3286	3014	56	45	M42	84	8	3152	3147	162	12	150	0.5	20	3476	171	37.7	52.2	2800
	22																	3471.6	155	41.5	57.4		
26	011.75.3550	3776	3322	174	3686	3014	56	45	M42	84	8	3552	3547	162	12	150	0.5	20	3876	191	37.7	51.7	3500
	22																	3889.6	174	41.5	57		
26''	011.50.3550	3776	3322	174	3686	3014	56	45	M42	84	10	3552	3548	162	12	150	0.5	20	3876	191	37.7	51.7	3500
	22																	3889.6	174	41.5	57		
27	011.75.4000	4226	3772	174	4136	3864	60	45	M42	84	10	4002	3997	162	12	150	0.5	22	4329.6	194	41.5	57	4200
	25																	4345	171	47.1	64.6		
27''	011.50.4000	4226	3772	174	4136	3864	60	45	M42	84	10	4002	3998	162	12	150	0.5	22	4329.6	194	41.5	57	4200
	25																	4345	171	47.1	64.6		
28	011.75.4500	4726	4272	174	4636	4364	60	45	M42	84	10	4502	4497	162	12	150	0.5	22	4835.6	217	41.5	57	5100
	25																	4845	191	47.1	64.6		
28''	011.50.4500	4726	4272	174	4636	4364	60	45	M42	84	10	4502	4498	162	12	150	0.5	22	4835.6	217	41.5	57	5100
	25																	4845	191	47.1	64.6		

③ Internal Gear (013/014 Series)



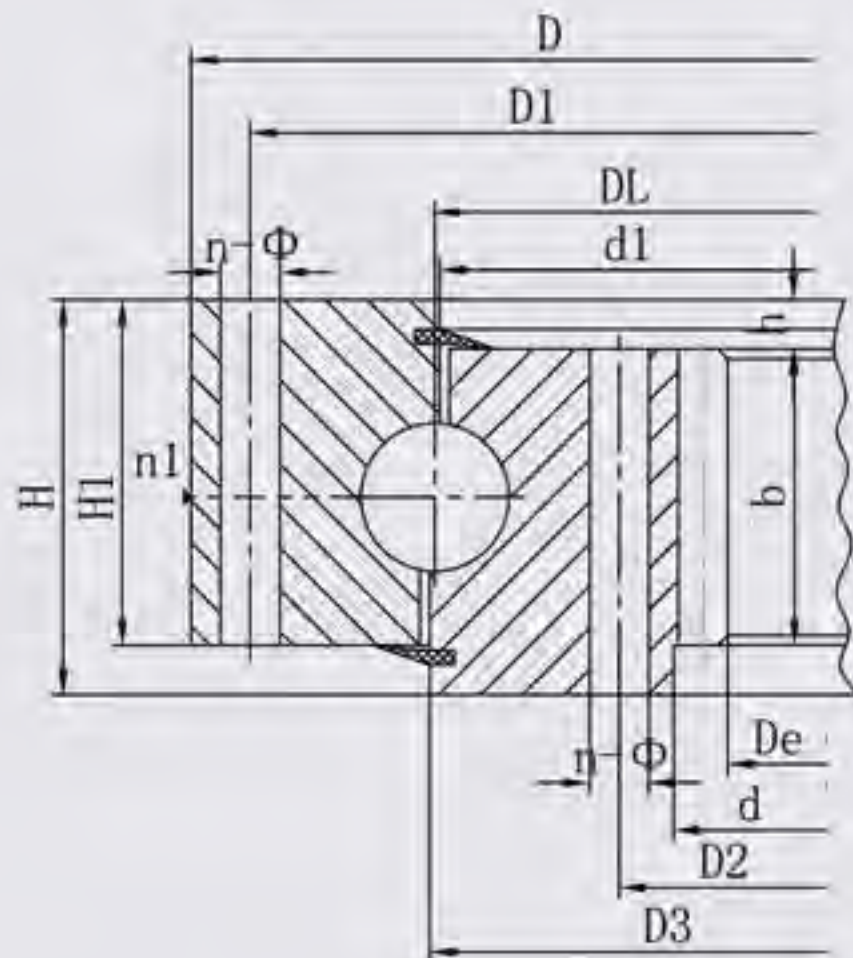
013. 014

Note:

1. n1 is the nos of lubricating holes.Oil cup M10×1JB/T7940.1~JB/T7940.2.The Oil nipple's location can be change according to the user's application.
2. n-φ can change to tapped hole,the diameter of tapped hole is M,depth is 2M.
3. The tangential tooth force in the form is the max tooth force,the nominal tangential tooth force is 1/2 of the max one.
4. "K" is addendum reduction coefficient.

No.	Internal gear D L mm	Dimensions			Mounting Dimensions						Structural Dimension				Gear data					Tooth force		weigh t kg	
		D mm	d mm	H mm	D 1 mm	D 2 mm	n	∅ mm	dm mm	L mm	n 1	D 3 mm	d 1 mm	H 1 mm	h mm	b mm	x	M mm	D e mm	z	Norm alizing Z10°N		Quenc hing T10°N
1	013.25.315	408	222	70	372	258	20	18	M16	32	2	316	314	60	10	50	0	5	190	40	2.9	4.4	49
2	013.25.355	448	262	70	412	298	20	18	M16	32	2	356	354	60	10	50	0	5	235	49	2.9	4.4	54
3	013.25.400	493	307	70	457	343	20	18	M16	32	2	401	399	60	10	50	0	6	276	48	3.5	5.3	62
4	013.25.450	543	357	70	507	393	20	18	M16	32	2	451	449	60	10	50	0	6	324	56	3.5	5.3	71
5	013.30.500	602	398	80	566	434	20	18	M16	32	4	501	498	70	10	60	0.5	5	367	74	3.7	5.2	85
5'	014.30.500																	6	368.4	62	4.5	6.2	
5'	013.25.500	602	398	80	566	434	20	18	M16	32	4	501	499	70	10	60	0.5	5	367	74	3.7	5.2	85
5'	014.25.500																	6	368.4	62	4.5	6.2	
6	013.30.560	662	458	80	626	494	20	18	M16	32	4	561	558	70	10	60	0.5	5	427	86	3.7	5.2	95
6'	014.30.560																	6	428.4	72	4.5	6.2	
6'	013.25.560	662	458	80	626	494	20	18	M16	32	4	561	559	70	10	60	0.5	5	427	86	3.7	5.2	95
6'	014.25.560																	6	428.4	72	4.5	6.2	
7	013.30.630	732	528	80	696	564	24	18	M16	32	4	631	628	70	10	60	0.5	6	494.4	83	4.5	6.2	110
7'	014.30.630																	8	491.2	62	6	8.3	
7'	013.25.630	732	528	80	696	564	24	18	M16	32	4	631	629	70	10	60	0.5	6	494.4	83	4.5	6.2	110
7'	014.25.630																	8	491.2	62	6	8.2	
8	013.30.710	812	608	80	776	644	24	18	M16	32	4	711	708	70	10	60	0.5	6	572.4	96	4.5	6.2	120
8'	014.30.710																	8	571.2	72	6	8.3	
8'	013.25.710	812	608	80	776	644	24	18	M16	32	4	711	709	70	10	60	0.5	6	572.4	96	4.5	6.2	120
8'	014.25.710																	8	571.2	72	6	8.9	
9	013.40.800	922	678	100	878	722	30	22	M20	40	6	801	798	90	10	80	0.5	8	635.2	80	8	11.1	220
9'	014.40.800																	10	634	64	10	14	
9'	013.30.800	922	678	100	878	722	30	22	M20	40	6	801	798	90	10	80	0.5	8	635.2	80	8	11.1	220
9'	014.30.800																	10	634	64	10	14.1	
10	013.40.900	1022	778	100	978	822	30	22	M20	40	6	901	898	90	10	80	0.5	8	739.2	93	8	11.1	240
10'	014.40.900																	10	734	74	10	14	
10'	013.30.900	1022	778	100	978	822	30	22	M20	40	6	901	898	90	10	80	0.5	8	739.2	93	8	11.1	240
10'	014.30.900																	10	734	74	10	14	
11	013.40.1000	1122	878	100	1078	922	36	22	M20	40	6	1001	998	90	10	80	0.5	10	824	83	10	14	270
11'	014.40.1000																	12	820.8	69	12	16.7	
11'	013.30.1000	1122	878	100	1078	922	36	22	M20	40	6	1001	998	90	10	80	0.5	10	824	83	10	14	270
11'	014.30.1000																	12	820.8	69	12	16.7	
12	013.40.1120	1242	998	100	1198	1042	36	22	M20	40	6	1121	1118	90	10	80	0.5	10	944	95	10	14	300
12'	014.40.1120																	12	940.8	79	12	16.7	
12'	013.30.1120	1242	998	100	1198	1042	36	22	M20	40	6	1121	1118	90	10	80	0.5	10	944	95	10	14	300
12'	014.30.1120																	12	940.8	79	12	16.7	
13	013.45.1250	1390	1110	110	1337	1163	40	26	M24	48	5	1252	1248	100	10	90	0.5	12	1049	88	13.5	18.8	420
13'	014.45.1250																	14	1042	75	15.8	21.9	
13'	013.35.1250	1390	1110	110	1337	1163	40	26	M24	48	5	1251	1248	100	10	90	0.5	12	1049	88	13.5	18.8	420
13'	014.35.1250																	14	1042	75	15.8	21.9	

③ Internal Gear (013/014 Series)



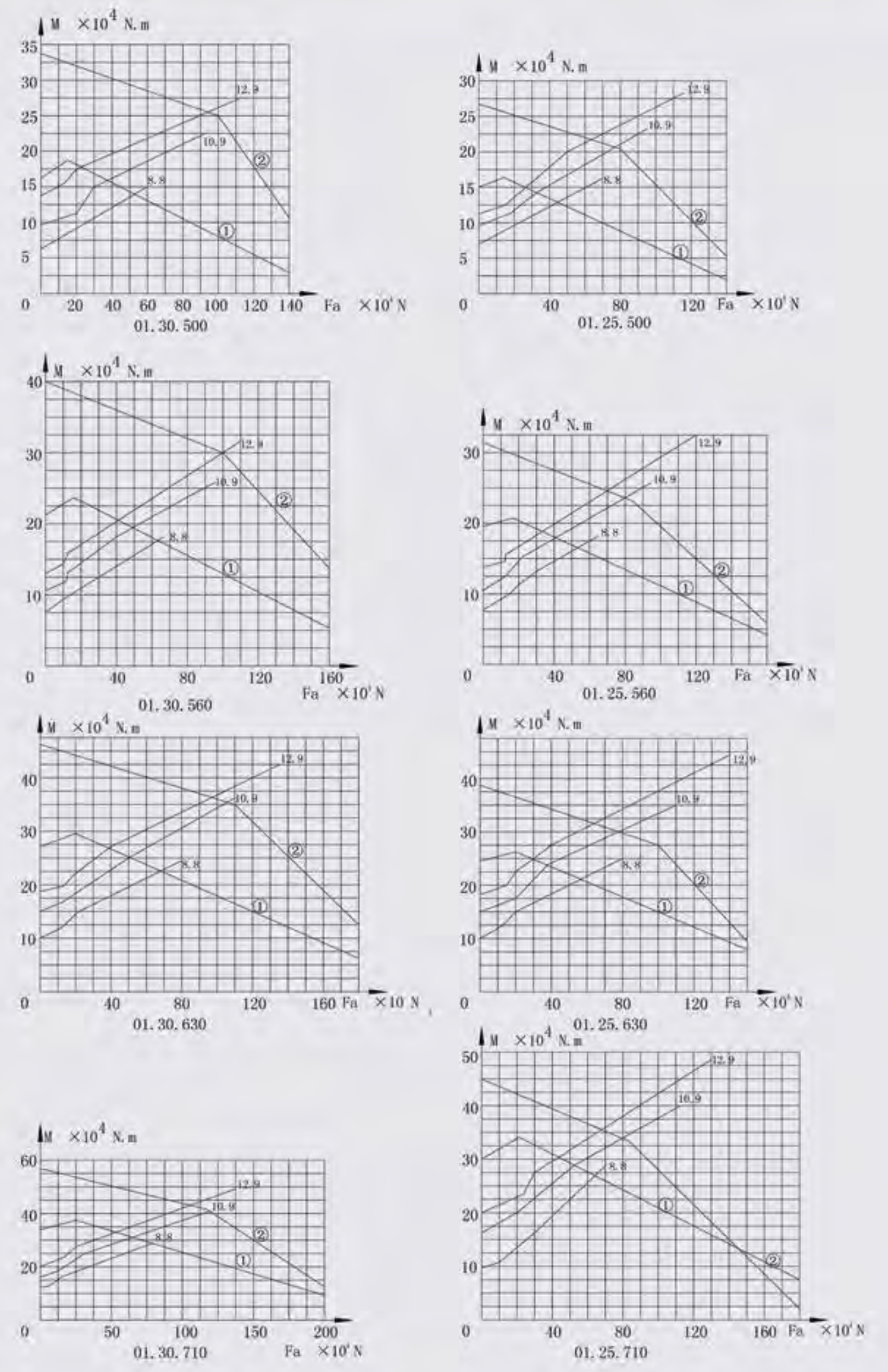
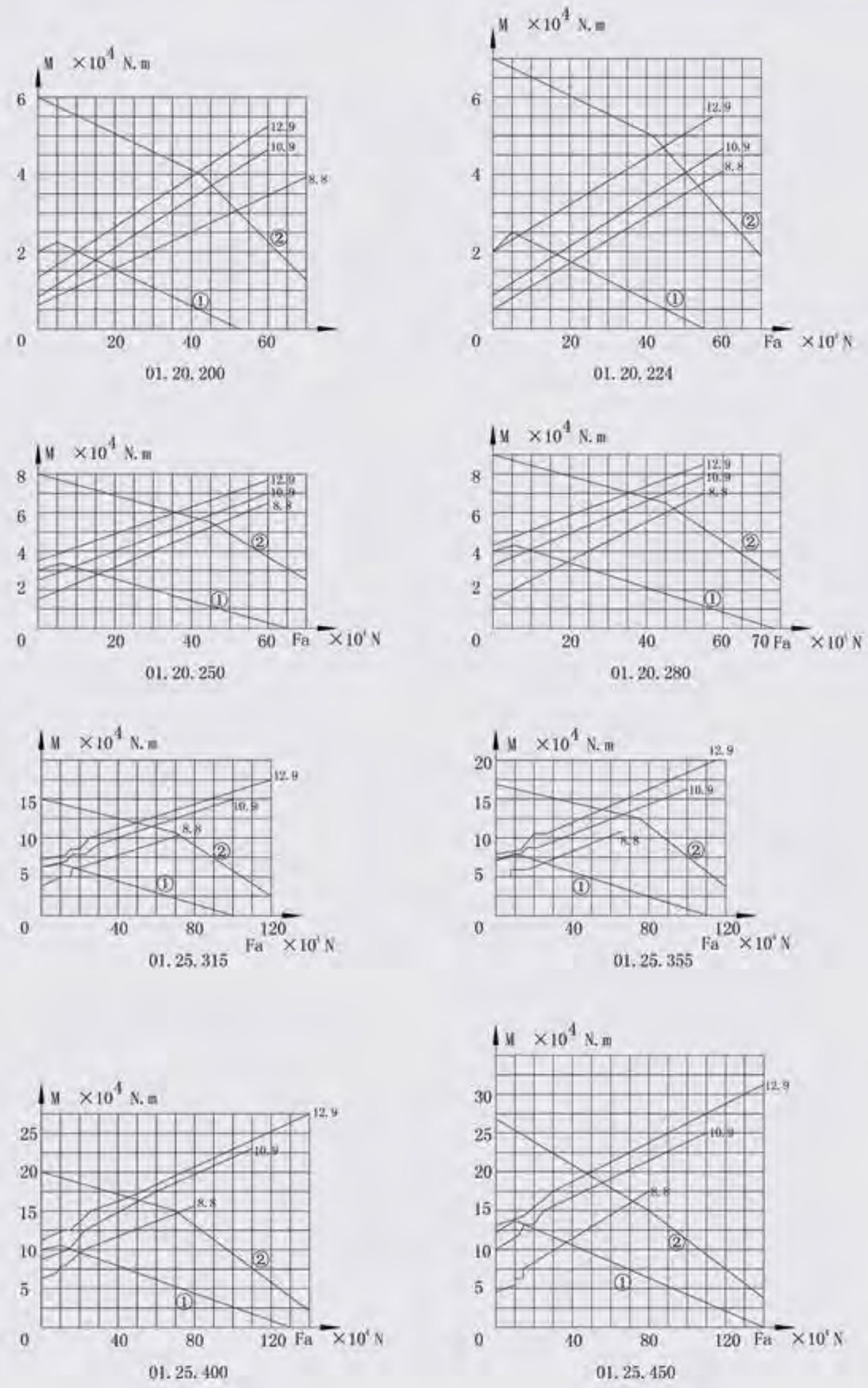
013. 014

Note:

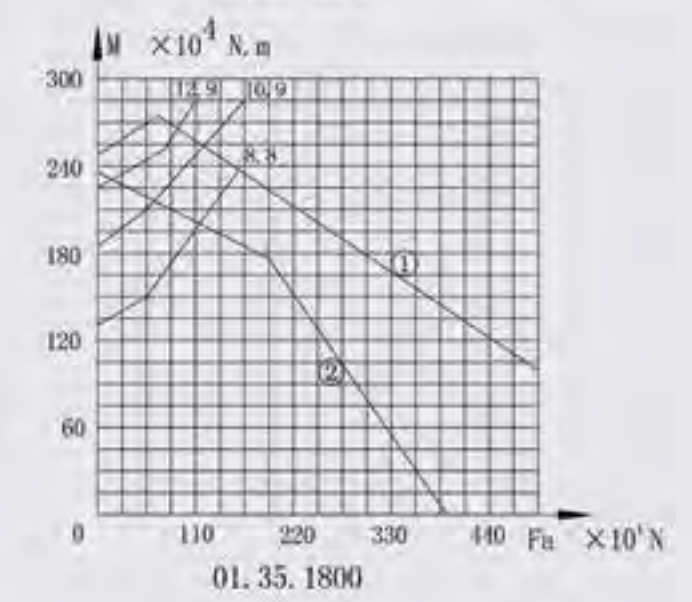
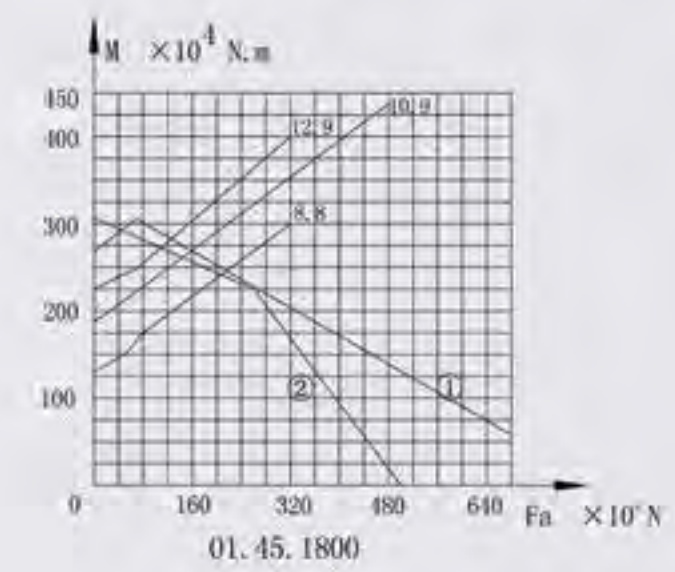
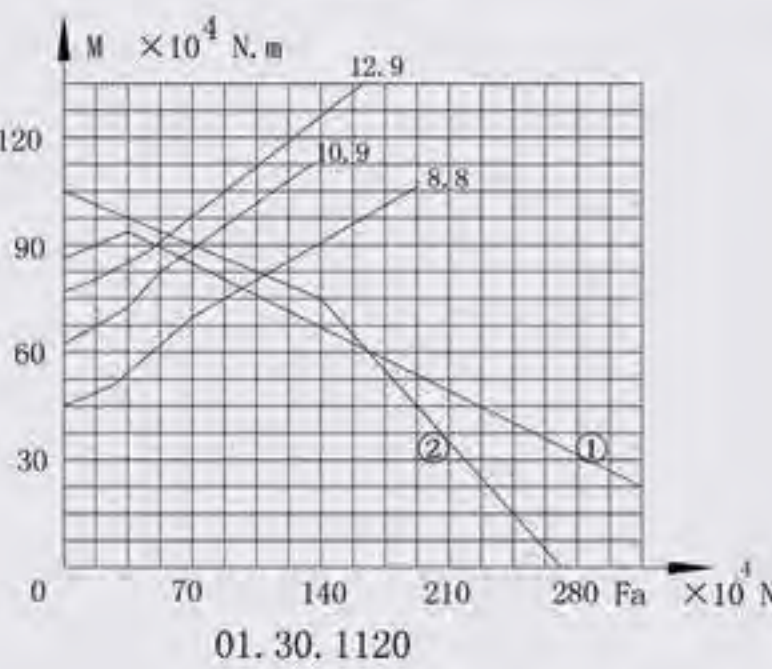
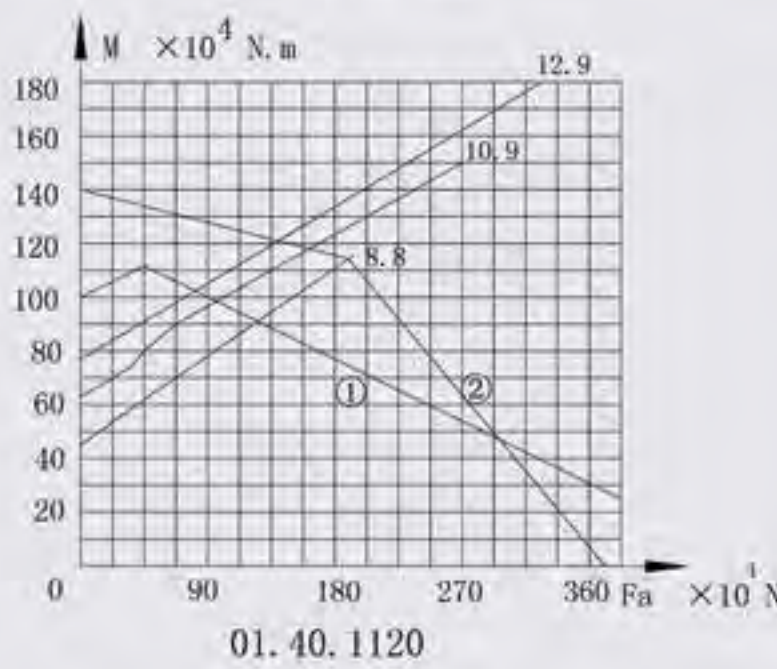
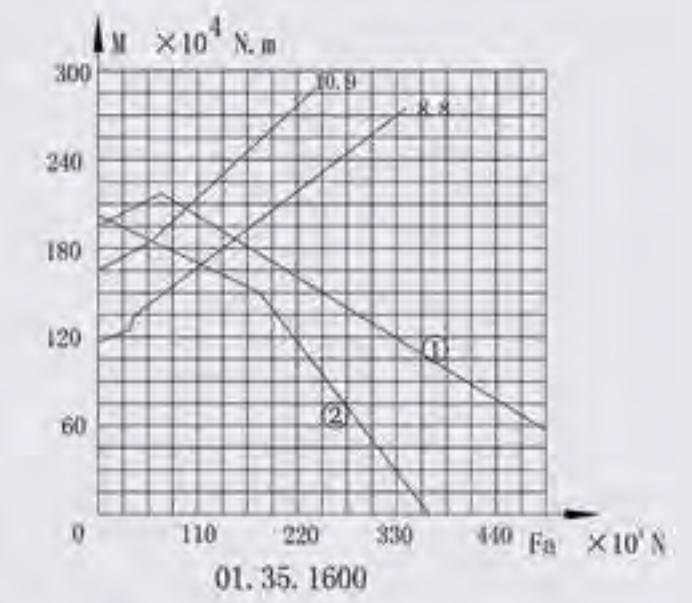
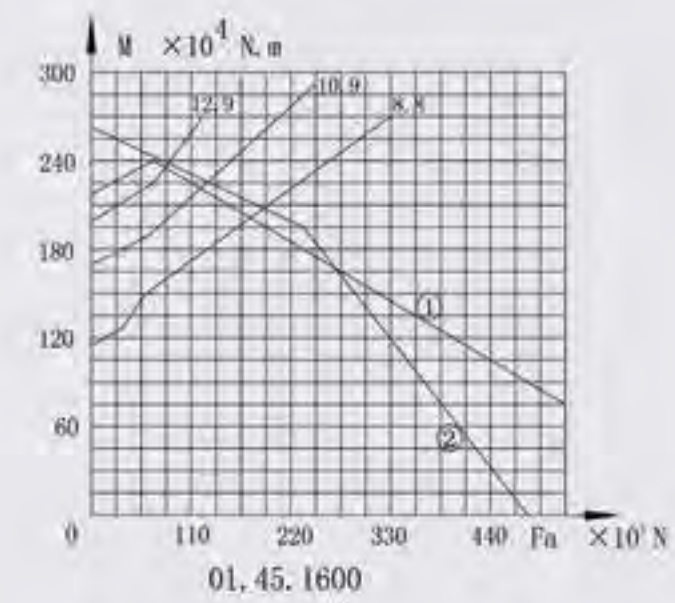
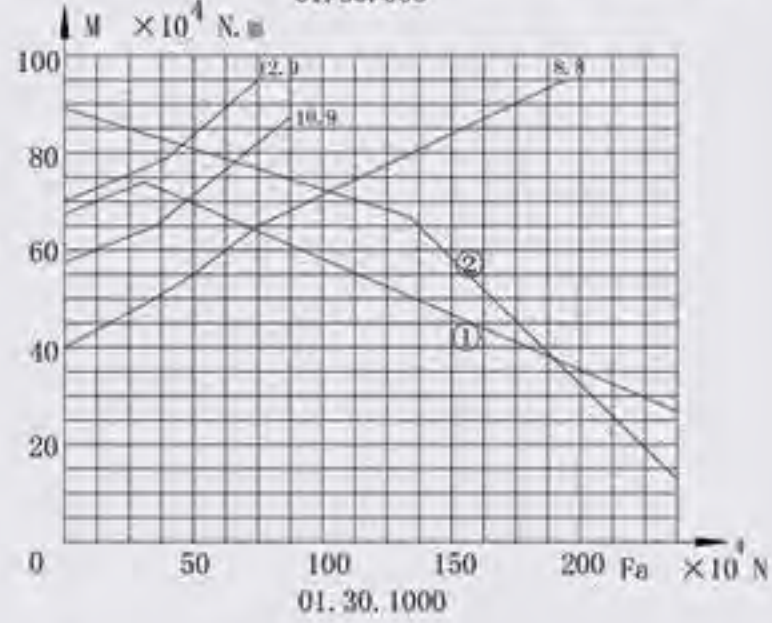
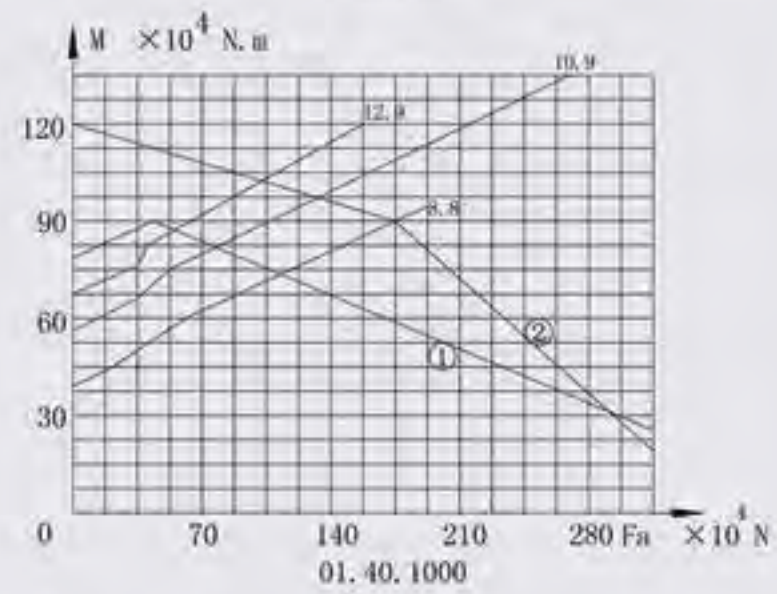
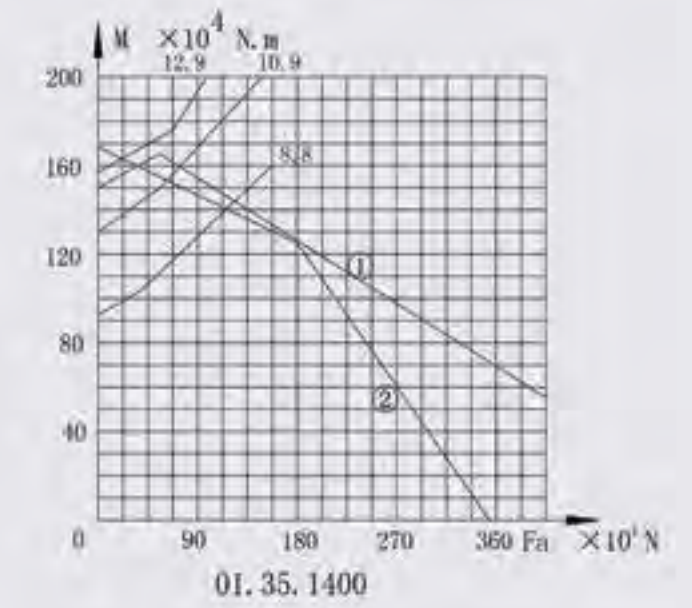
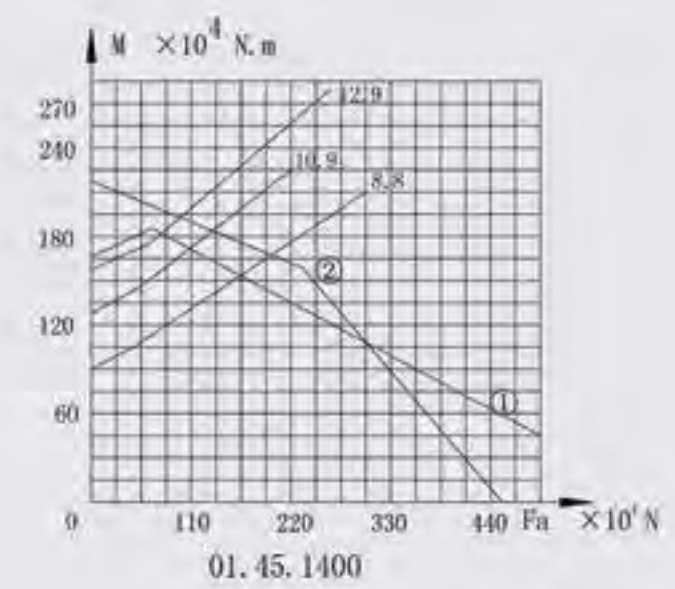
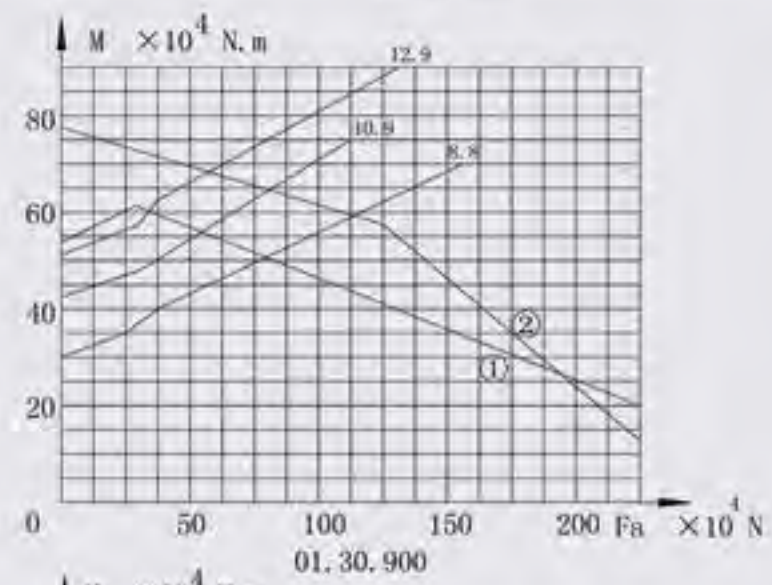
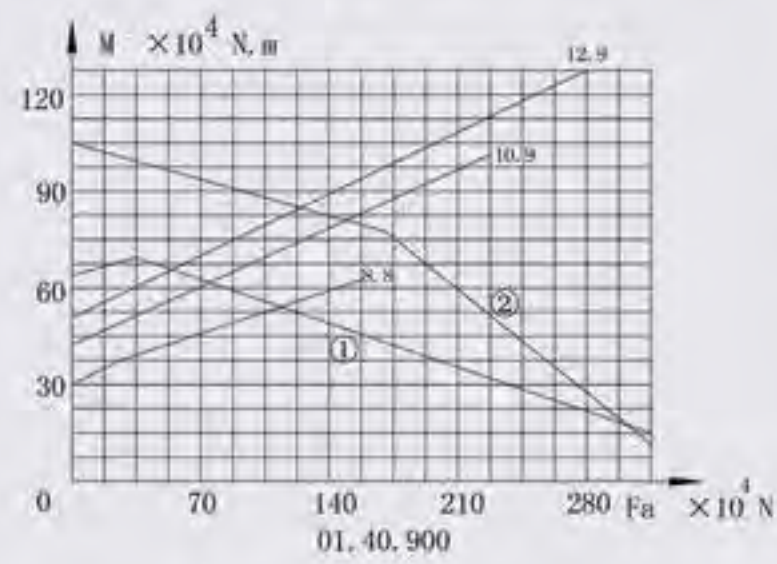
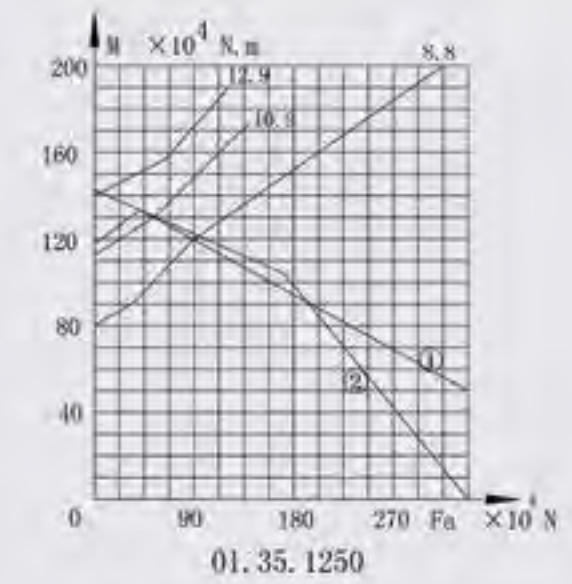
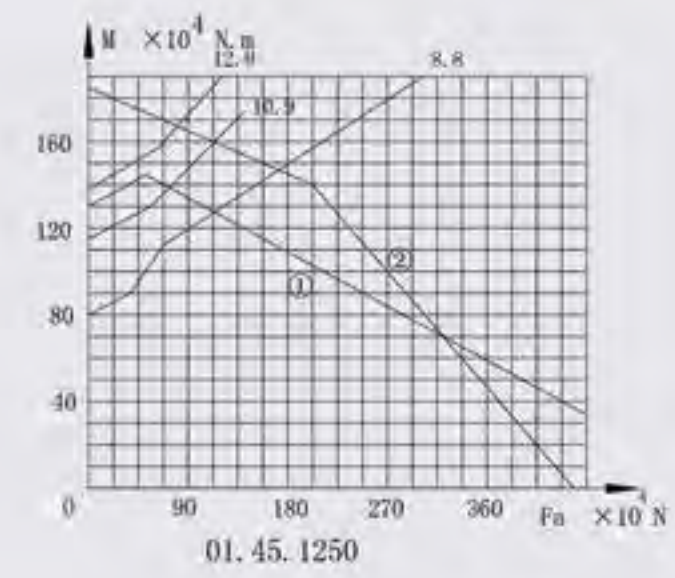
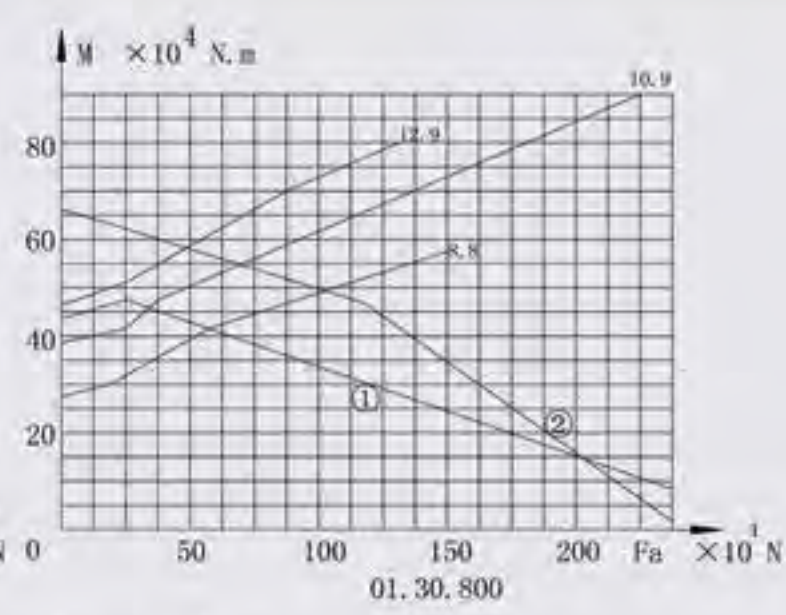
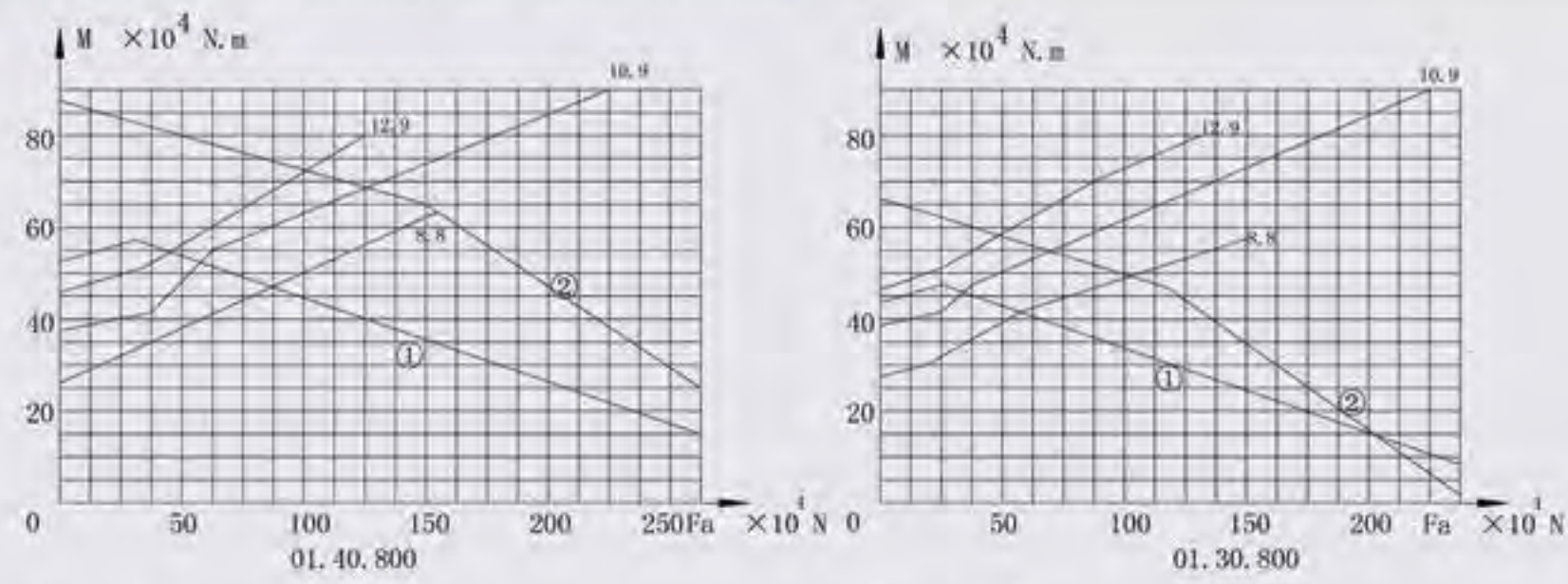
1. n1 is the nos of lubricating holes.Oil cup M10×1JB/T7940.1~JB/T7940.2.The Oil nipple's location can be change according to the user's application.
2. n-φ can change to tapped hole,the diameter of tapped hole is M,depth is 2M.
3. The tangential tooth force in the form is the max tooth force,the nominal tangential tooth force is 1/2 of the max one.
4. "K" is addendum reduction coefficient.

No.	Internal gear D L mm	Dimensions			Mounting Dimensions				Structural Dimension				Gear data				Tooth force		weigh t kg				
		D mm	d mm	H mm	D 1 mm	D 2 mm	n	Ø mm	dm mm	L mm	n 1	D 3 mm	d 1 mm	H 1 mm	h mm	b mm	x	M mm		D e mm	z	Norm alizing Z10°N	Quenc hing T10°N
14	013.45.1400	1540	1260	110	1487	1313	40	26	M24	48	5	1402	1398	100	10	90	0.5	12	1193	100	13.5	18.8	480
	14																	1196	86	15.5	21.9		
14'	013.35.1400	1540	1260	110	1487	1313	40	26	M24	48	5	1401	1398	100	10	90	0.5	12	1193	100	13.5	18.8	480
	14																	1196	86	15.8	21.9		
15	013.45.1600	1740	1460	110	1687	1513	45	26	M24	48	5	1602	1598	100	10	90	0.5	14	1392	100	15.8	21.9	550
	16																	1382	87	18.1	25		
15'	013.35.1600	1740	1460	110	1687	1513	45	26	M24	48	5	1601	1598	100	10	90	0.5	14	1392	100	15.8	21.9	550
	16																	1382	87	18.1	25		
16	013.45.1800	1940	1660	110	1887	1713	45	26	M24	48	5	1802	1798	100	10	90	0.5	14	1574	113	15.8	21.9	610
	16																	1574	99	18.1	25		
16'	013.35.1800	1940	1660	110	1887	1713	45	26	M24	48	5	1801	1798	100	10	90	0.5	14	1574	113	15.8	21.9	610
	16																	1574	99	18.1	25		
17	013.60.2000	2178	1825	144	2110	1891	48	33	M30	60	8	2002	1998	132	12	120	0.5	16	1734	109	24.1	33.3	1100
	18																	1735	97	27.1	37.5		
17'	013.40.2000	2178	1825	144	2110	1891	48	33	M30	60	8	2001	1998	132	12	120	0.5	16	1734	109	24.1	33.3	1100
	18																	1735	97	27.1	37.5		
18	013.60.2240	2418	2065	144	2350	2131	48	33	M30	60	8	2242	2238	132	12	120	0.5	16	1990	125	24.1	33.3	1250
	18																	1987	111	27.1	37.5		
18'	013.40.2240	2418	2065	144	2350	2131	48	33	M30	60	8	2241	2238	132	12	120	0.5	16	1990	125	24.1	33.3	1250
	18																	1987	111	27.1	37.5		
19	013.60.2500	2678	2325	144	2610	2391	56	33	M30	60	8	2502	2498	132	12	120	0.5	18	2239	125	27.1	37.5	1400
	20																	2228	112	30.1	41.8		
19'	013.40.2500	2678	2325	144	2610	2391	56	33	M30	60	8	2501	2498	132	12	120	0.5	18	2239	125	27.1	37.5	1400
	20																	2228	112	30.1	41.8		
20	013.60.2800	2978	2625	144	2910	2691	56	33	M30	60	8	2802	2798	132	12	120	0.5	18	2527	141	27.1	37.5	1600
	20																	2528	127	30.1	41.8		
20'	013.40.2800	2978	2625	144	2910	2691	56	33	M30	60	8	2802	2798	132	12	120	0.5	18	2527	141	27.1	37.5	1600
	20																	2528	127	30.1	41.8		
21	013.75.3150	3376	2922	174	3286	3014	56	45	M42	84	8	3152	3147	162	12	150	0.5	20	2828	142	37.7	52.2	2800
	22																	2825	129	41.5	57.4		
21'	013.50.3150	3376	2922	174	3286	3014	56	45	M42	84	8	3152	3147	162	12	150	0.5	20	2828	142	37.7	52.2	2800
	22																	2825	129	41.5	57.4		
22	013.75.3550	3776	3322	174	3686	3014	56	45	M42	84	8	3552	3547	162	12	150	0.5	20	3228	162	37.7	51.7	3500
	22																	3221	147	41.5	57		
22'	013.50.3550	3776	3322	174	3686	3014	56	45	M42	84	10	3552	3548	162	12	150	0.5	20	3228	162	37.7	51.7	3500
	22																	3221	147	41.5	57		
23'	013.75.4000	4226	3772	174	4136	3864	60	45	M42	84	10	4002	3997	162	12	150	0.5	22	3661	167	41.5	57	4200
	25																	3660	147	47.1	64.6		
23'	013.50.4000	4226	3772	174	4136	3864	60	45	M42	84	10	4002	3998	162	12	150	0.5	22	3661	167	41.5	57	4200
	25																	3660	147	47.1	64.6		
24	013.75.4500	4726	4272	174	4636	4364	60	45	M42	84	10	4502	4497	162	12	150	0.5	22	4167	190	41.5	57	5100
	25																	4160	167	47.1	64.6		
24'	013.50.4500	4726	4272	174	4636	4364	60	45	M42	84	10	4502	4498	162	12	150	0.5	22	4167	190	41.5	57	5100
	25																	4160	167	47.1	64.6		

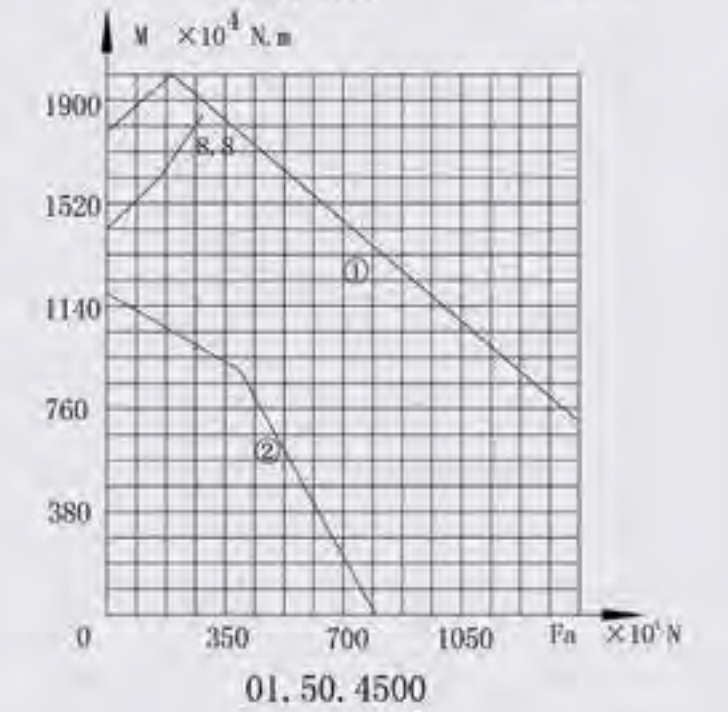
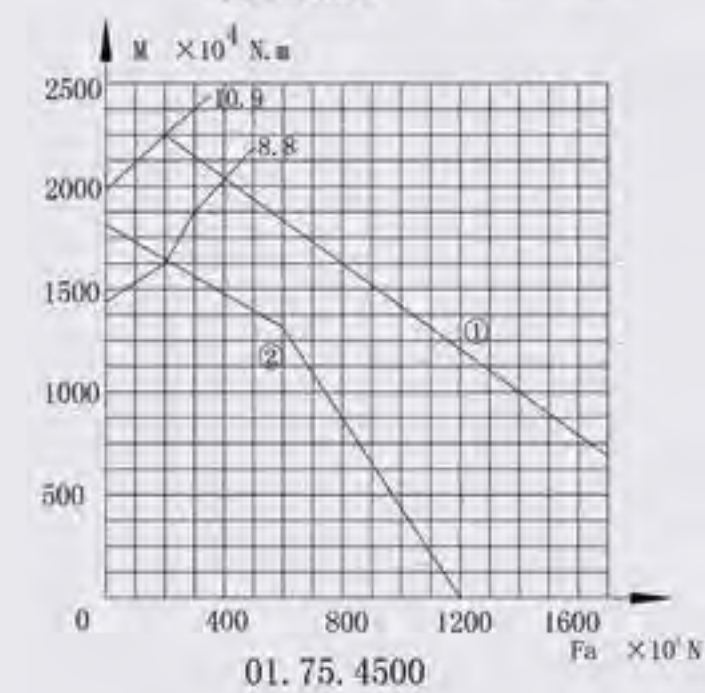
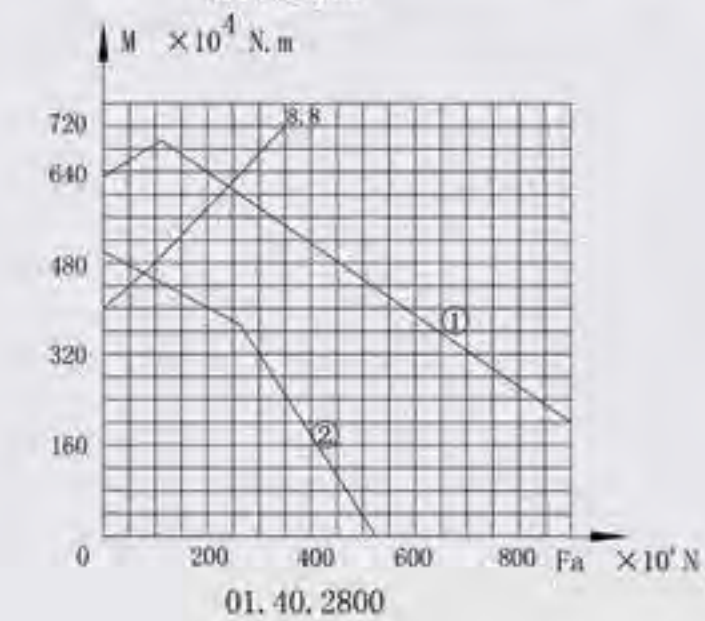
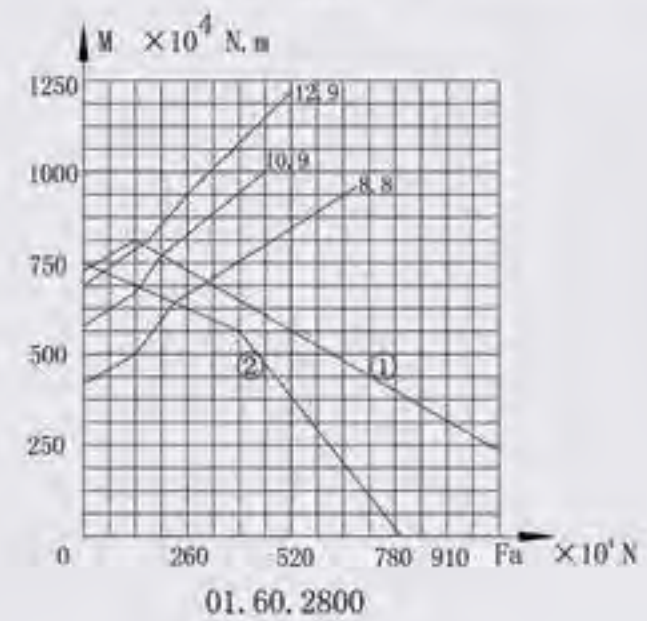
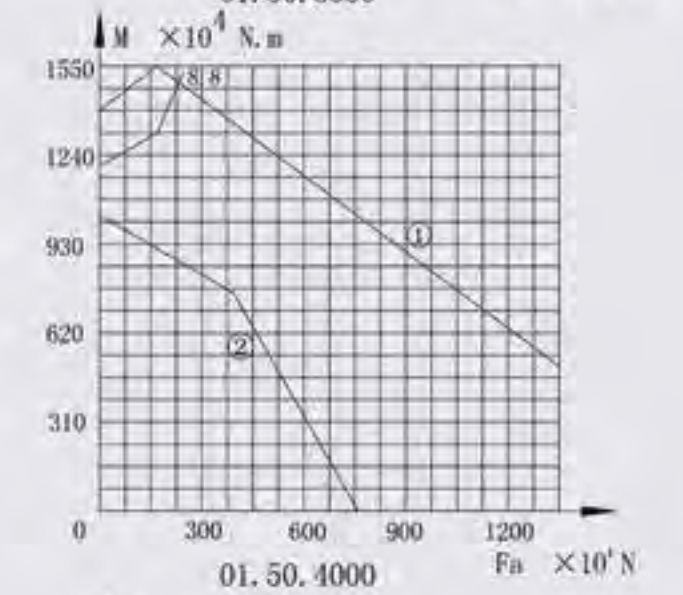
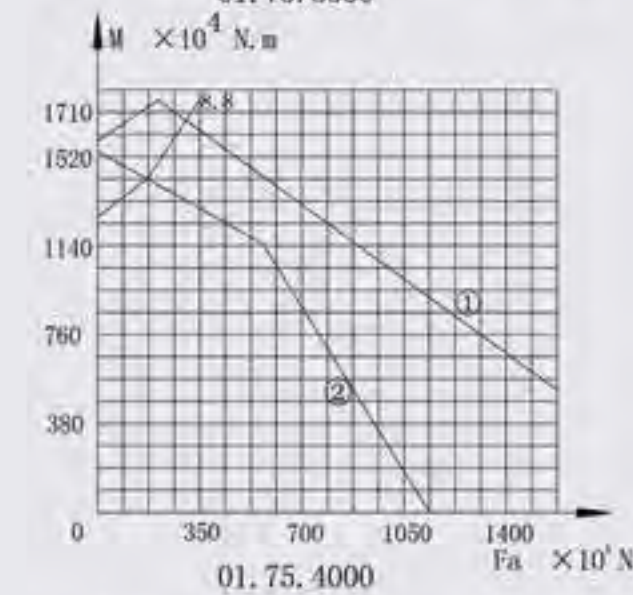
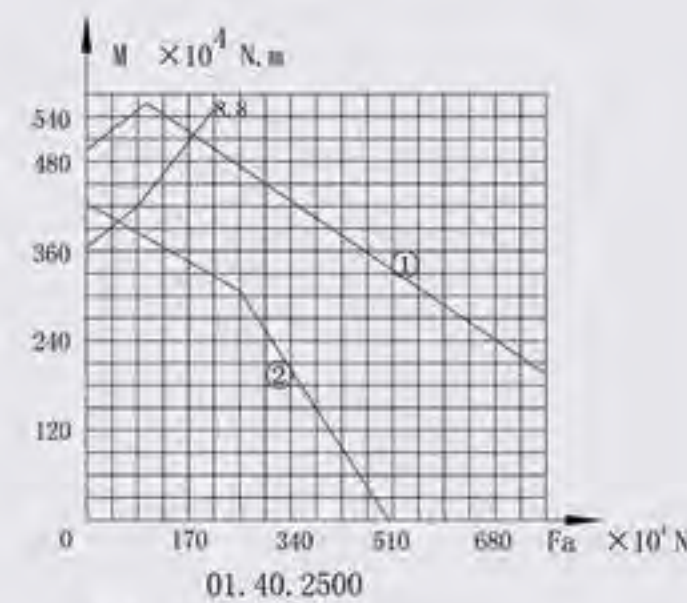
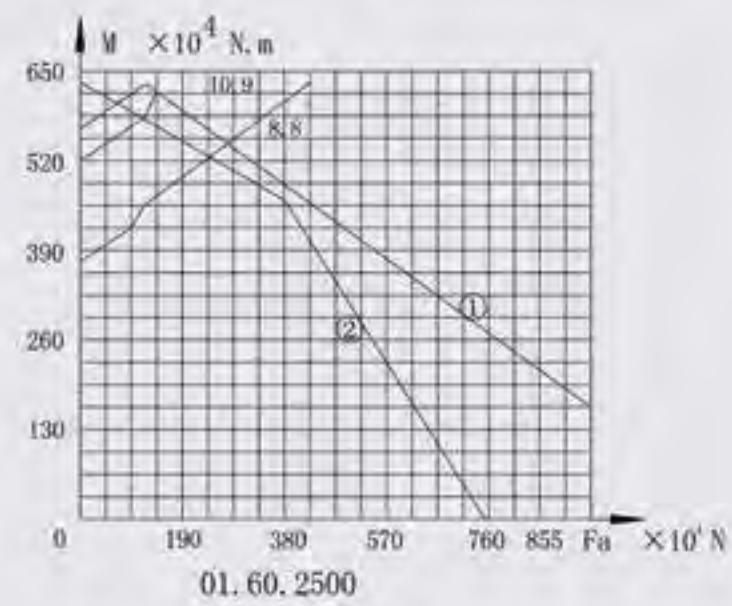
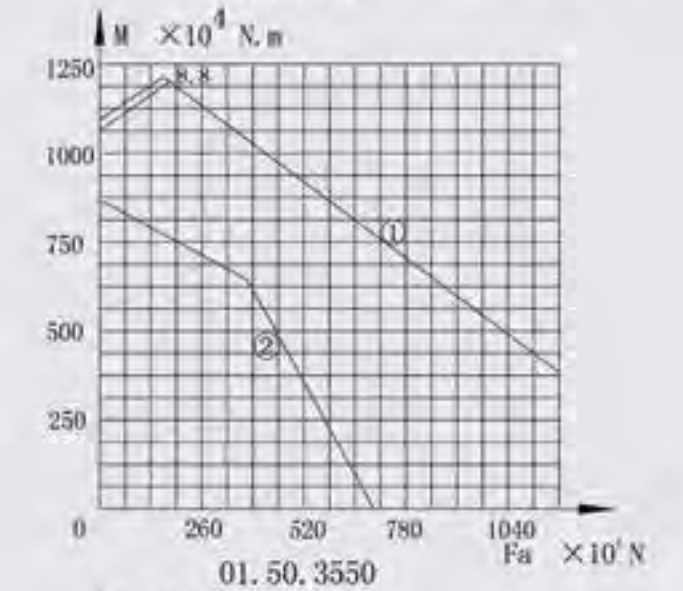
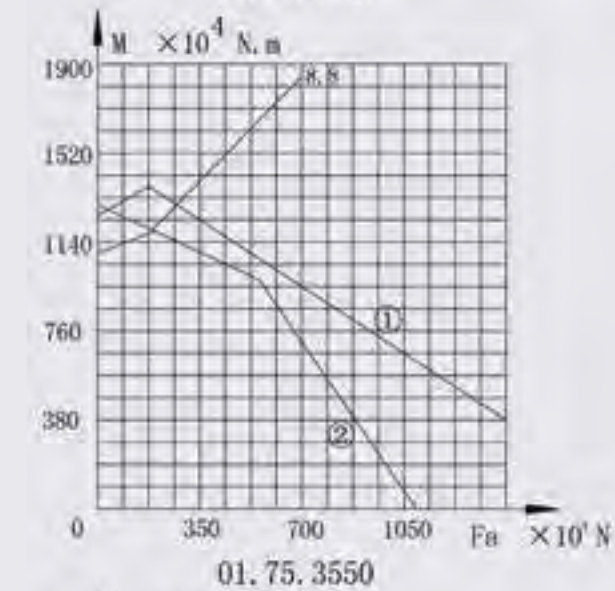
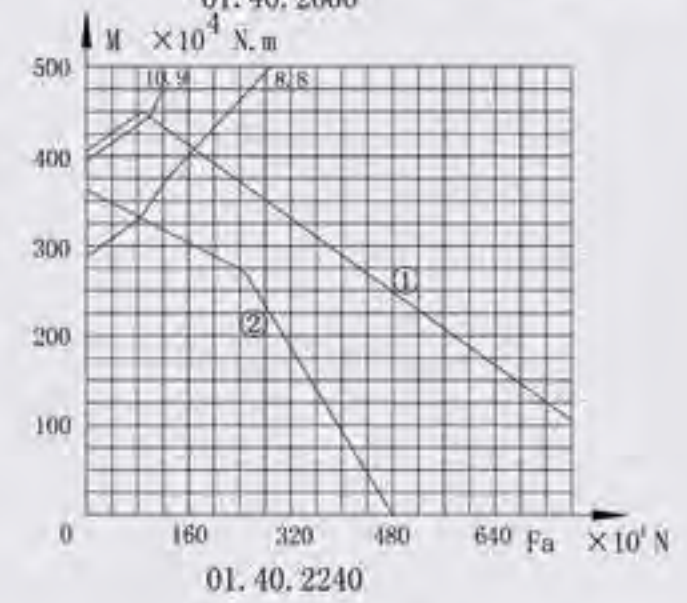
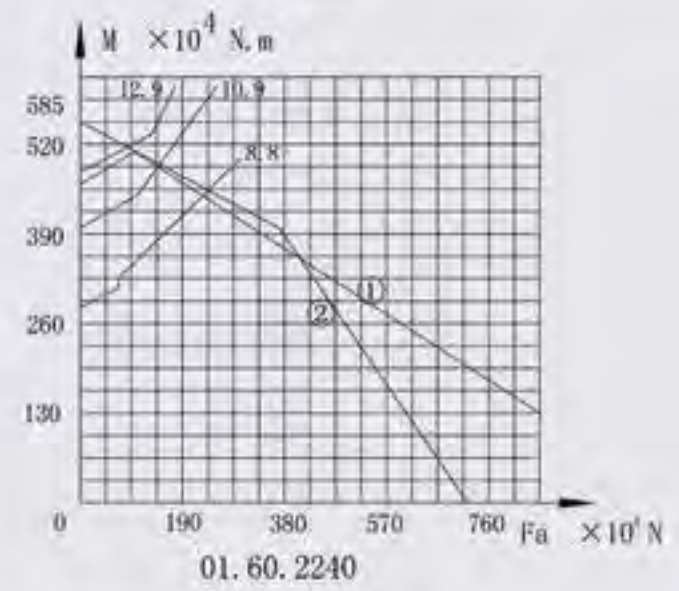
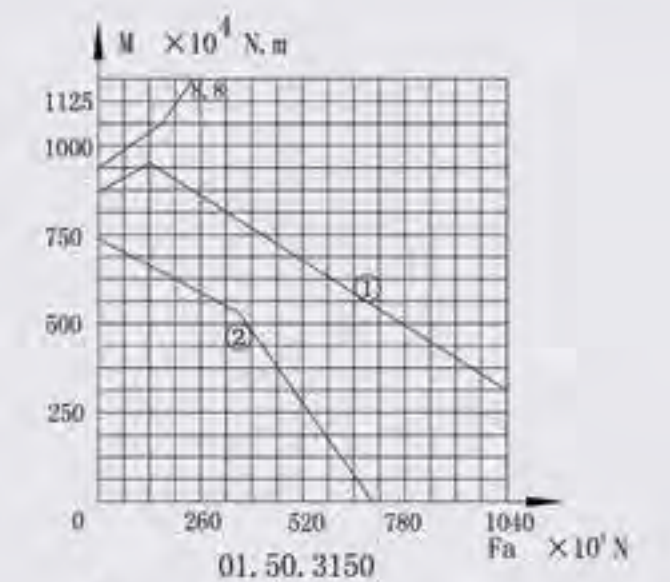
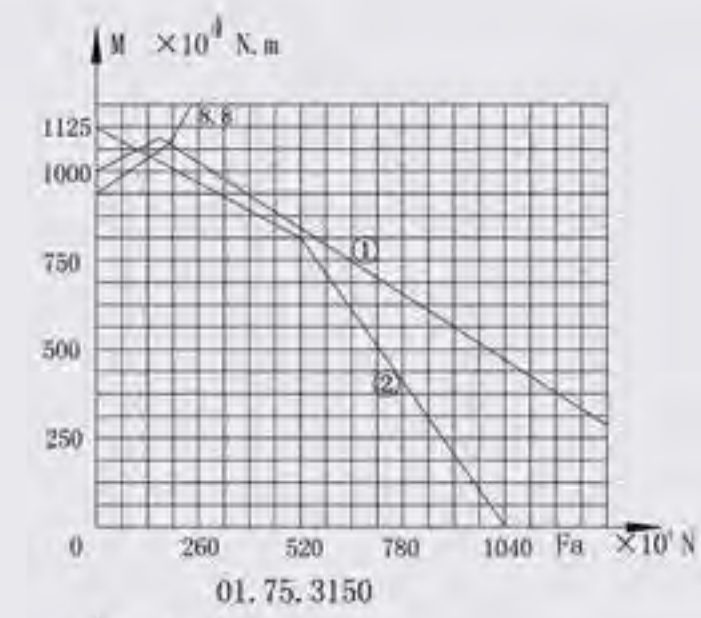
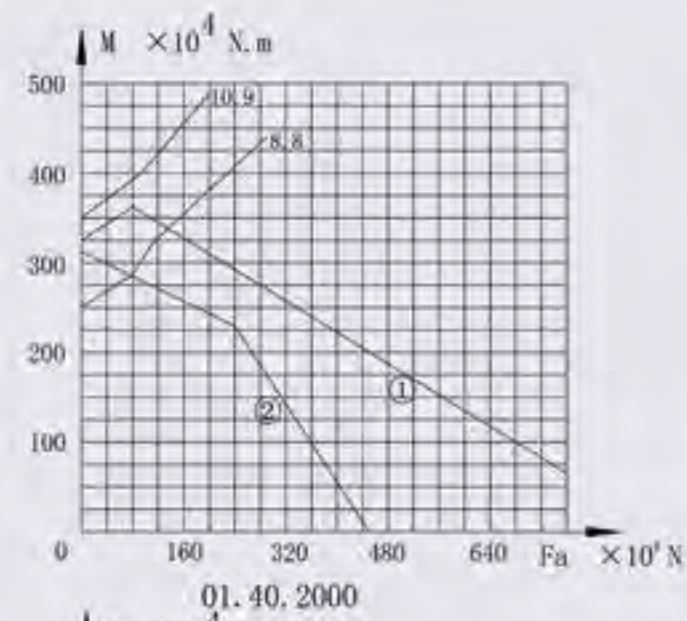
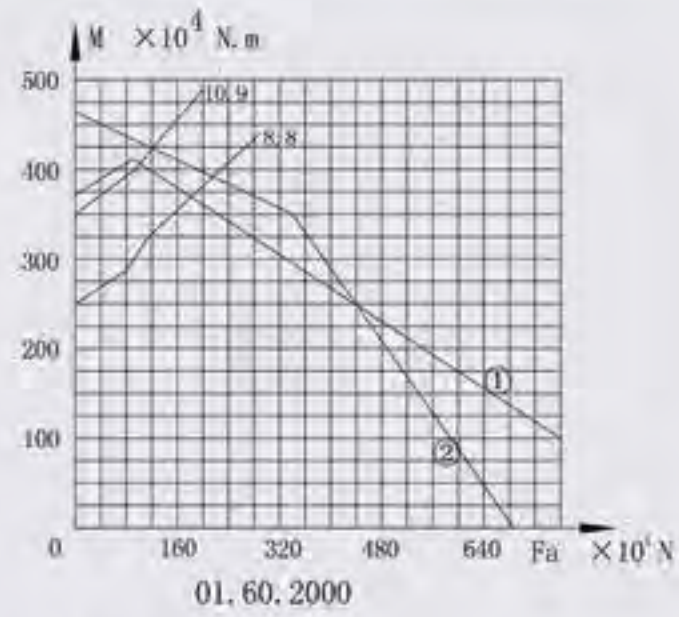
Single Row Four Point Contact Ball Series Load Curve



Single Row Four Point Contact Ball Series Load Curve



Single Row Four Point Contact Ball Series Load Curve



5. Single Row Crossed Roller Slewing Bearing

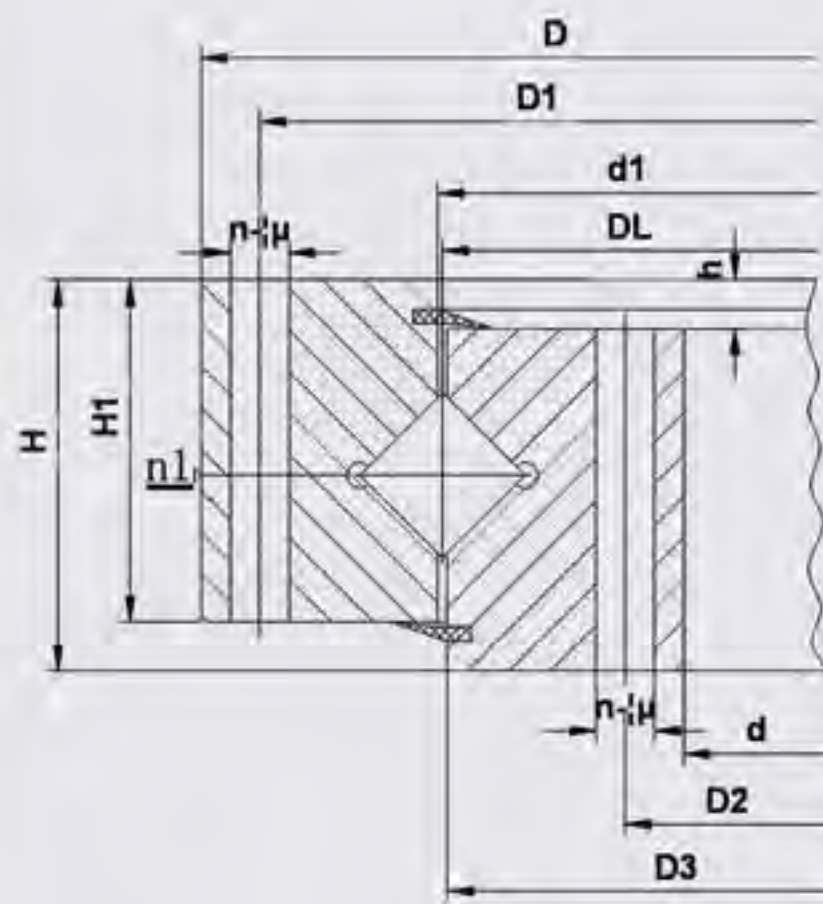
Characteristic of structure, performance and application

The single row crossed roller slewing bearing is composed of two seat rings, which design in compact structure and light weight, the clearance is small when assembly, so need high precision. The roller are 1:1 cross arranged, it can bear the axial force, tilting moment and relatively large radial force. It is widely used for hoisting, transportation, construction machinery, and the military products.

Note:

1. n_1 is the nos of lubricating holes. Oil cup M10×1JB/T7940.1~JB/T7940.2. The Oil nipple's location can be change according to the user's application.
2. $n-\phi$ can change to tapped hole, the diameter of tapped hole is M, depth is 2M.
3. The tangential tooth force in the form is the max tooth force, the nominal tangential tooth force is 1/2 of the max one.
4. "K" is addendum reduction coefficient.

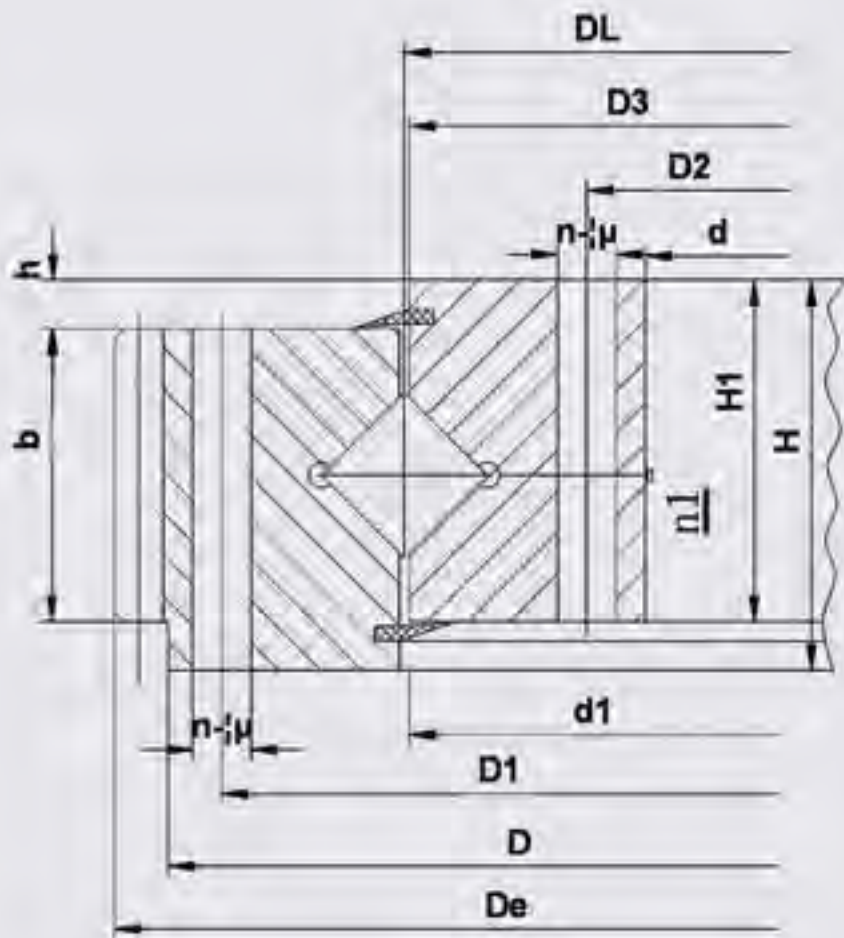
① Ungear (110 Series)



110

No.	Ungear D L mm	Dimensions			Mounting Dimensions					Structural Dimension				Gear data					Tooth force		weight kg			
		D mm	d mm	H mm	D1 mm	D2 mm	n	∅ mm	dm mm	L mm	n1	D3 mm	d1 mm	H1 mm	h mm	b mm	x	m mm	De mm	z		Normalizing Z10 ⁴ N	Quenching T10 ⁴ N	
1	110.25.500	602	398	75	566	434	20	18	M16	32	4	498	502	65	10									80
2	110.25.560	662	458	75	626	494	20	18	M16	32	4	558	562	65	10									90
3	110.25.630	732	528	75	696	564	24	18	M16	32	4	628	632	65	10									100
4	110.25.710	812	608	75	776	644	24	18	M16	32	4	708	712	65	10									110
5	110.28.800	922	678	82	878	722	30	22	M20	40	6	798	802	72	10									170
6	110.28.900	1022	778	82	978	822	30	22	M20	40	6	898	902	72	10									190
7	110.28.1000	1122	878	82	1078	922	36	22	M20	40	6	998	1002	72	10									210
8	110.28.1120	1242	998	82	1198	1042	36	22	M20	40	6	1118	1122	72	10									230
9	110.32.1250	1390	1110	91	1337	1163	40	26	M24	48	5	1248	1252	81	10									350
10	110.32.1400	1540	1260	91	1487	1313	40	26	M24	48	5	1398	1402	81	10									400
11	110.32.1600	1740	1460	91	1687	1513	45	26	M24	48	5	1598	1602	81	10									440
12	110.32.1800	1940	1660	91	1887	1713	45	26	M24	48	5	1798	1802	81	10									500
13	110.40.2000	2178	1825	112	2110	1891	48	33	M30	60	8	1997	2003	100	12									900
14	110.40.2240	2418	2065	112	2350	2131	48	33	M30	60	8	2237	2243	100	12									1000
15	110.40.2500	2678	2325	112	2610	2391	56	33	M30	60	8	2497	2503	100	12									1100
16	110.40.2800	2978	2625	112	2910	2691	56	33	M30	60	8	2797	2803	100	12									1250
17	110.50.3150	3376	2922	134	3286	3014	56	45	M42	84	8	3147	3153	122	12									2150
18	110.50.3550	3776	3322	134	3686	3414	56	45	M42	84	8	3547	3553	122	12									2470
19	110.50.4000	4226	3772	134	4136	3864	60	45	M42	84	10	3997	4003	122	12									2800
20	110.50.4500	4726	4272	134	4636	4364	60	45	M42	84	10	4497	4503	122	12									3100

② External Gear (111/112)



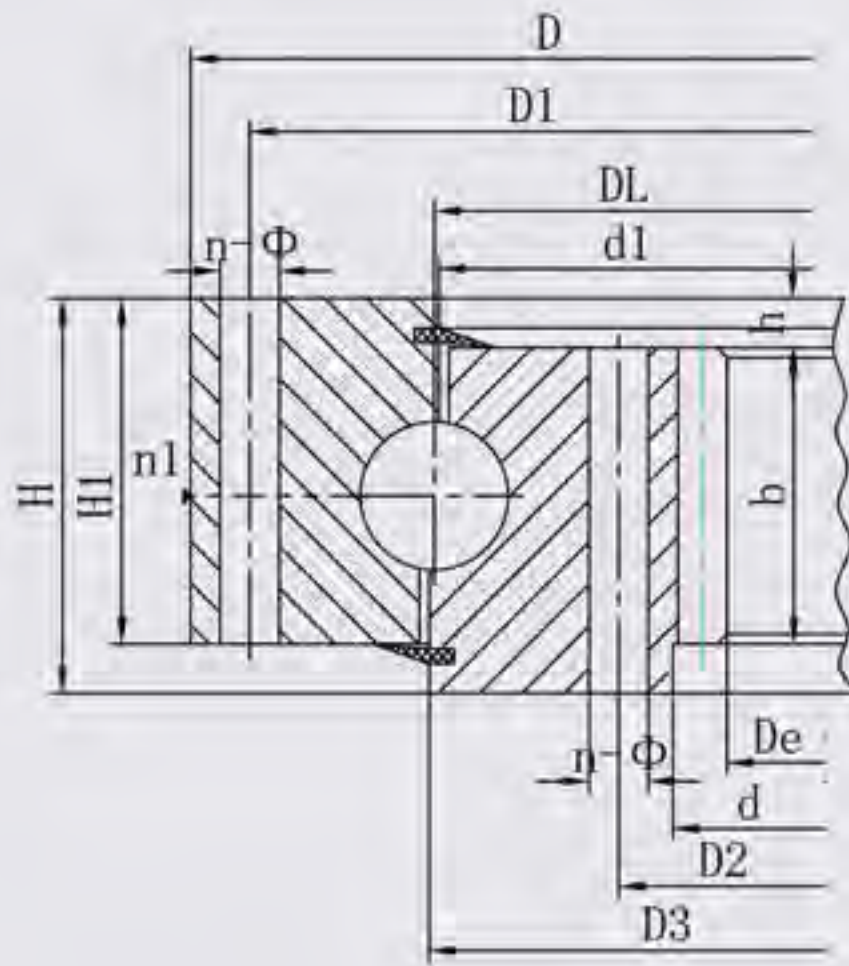
111.112

Note:

1. n1 is the nos of lubricating holes. Oil cup M10×1JB/T7940.1~JB/T7940.2. The Oil nipple's location can be change according to the user's application.
2. n-φ can change to tapped hole, the diameter of tapped hole is M, depth is 2M.
3. The tangential tooth force in the form is the max tooth force, the nominal tangential tooth force is 1/2 of the max one.
4. "K" is addendum reduction coefficient.

No.	External gear D L mm	Dimensions			Mounting Dimensions						Structural Dimension					Gear data				Tooth force		weight kg	
		D mm	d mm	H mm	D1 mm	D2 mm	n	∅ mm	dm mm	L mm	n1	D3 mm	d1 mm	H1 mm	h mm	b mm	x	m mm	De mm	z	Normalizing Z10 ⁴ N		Quencing T10 ⁴ N
1	111.25.500	602	398	75	566	434	20	18	M16	32	4	498	502	65	10	60	0.5	5	629	123	3.7	5.2	80
	6																	628.8	102	4.5	6.2		
2	111.25.560	662	458	75	626	494	20	18	M16	32	4	558	562	65	10	60	0.5	5	689	135	3.7	5.2	90
	6																	688.8	112	4.5	6.2		
3	111.25.630	732	528	75	696	564	24	18	M16	32	4	628	632	65	10	60	0.5	6	772.8	126	4.5	6.2	100
	8																	774.4	94	6	8.3		
4	111.25.710	812	608	75	776	644	24	18	M16	32	4	708	712	65	10	60	0.5	6	850.8	139	4.5	6.2	110
	8																	854.4	104	6	8.3		
5	111.28.800	922	678	82	878	722	30	22	M20	40	6	798	802	72	10	65	0.5	8	966.4	118	6.5	9.1	170
	10																	968	94	8.1	11.4		
6	111.28.900	1022	778	82	978	822	30	22	M20	40	6	898	902	72	10	65	0.5	8	1062.4	130	6.5	9.1	190
	10																	1068	104	8.1	11.4		
7	111.28.1000	1122	878	82	1078	922	36	22	M20	40	6	998	1002	72	10	65	0.5	10	1188	116	8.1	11.4	210
	12																	1185.6	96	9.7	13.6		
8	111.28.1120	1242	998	82	1198	1042	36	22	M20	40	6	1118	1122	72	10	65	0.5	10	1298	127	8.1	11.4	230
	12																	1305.6	106	9.7	13.6		
9	111.32.1250	1390	1110	91	1337	1163	40	26	M24	48	5	1248	1252	81	10	75	0.5	12	1449.6	118	11.3	15.7	350
	14																	1453.2	101	13.2	18.2		
10	111.32.1400	1540	1260	91	1487	1313	40	26	M24	48	5	1398	1402	81	10	75	0.5	12	1605.6	131	11.3	15.7	400
	14																	1607.2	112	13.2	18.2		
11	111.32.1600	1740	1460	91	1687	1513	45	26	M24	48	5	1598	1602	81	10	75	0.5	14	1817.2	127	13.2	18.2	440
	16																	1820.8	111	15.1	22.4		
12	111.32.1800	1940	1660	91	1887	1713	45	26	M24	48	5	1798	1802	81	10	75	0.5	14	2013.2	141	13.2	18.2	500
	16																	2012.8	123	15.1	22.4		
13	111.40.2000	2178	1825	112	2110	1891	48	33	M30	60	8	1997	2003	100	12	90	0.5	16	2268.8	139	18.1	25	900
	18																	2264.4	123	20.3	28.1		
14	111.40.2240	2418	2065	112	2350	2131	48	33	M30	60	8	2237	2243	100	12	90	0.5	16	2492.8	153	18.1	25	1000
	18																	2498.4	136	20.3	28.1		
15	111.40.2500	2678	2325	112	2610	2391	56	33	M30	60	8	2497	2503	100	12	90	0.5	18	2768.4	151	20.3	28.1	1100
	20																	2776	136	22.6	31.3		
16	111.40.2800	2978	2625	112	2910	2691	56	33	M30	60	8	2797	2803	100	12	90	0.5	18	3074.4	168	20.3	28.1	1250
	20																	3076	151	22.6	31.3		
17	111.50.3150	3376	2922	134	3286	3014	56	45	M42	84	8	3147	3153	122	12	110	0.5	20	3476	171	27.6	38.3	2150
	22																	3471.6	155	30.4	42.1		
18	111.50.3550	3776	3322	134	3686	3414	56	45	M42	84	8	3547	3553	122	12	110	0.5	20	3876	191	30.4	38.3	2470
	22																	3889.6	174	30.4	42.1		
19	111.50.4000	4226	3772	134	4136	3864	60	45	M42	84	10	3997	4003	122	12	110	0.5	22	4329.6	194	30.4	42.1	2800
	25																	4345	171	34.5	47.8		
20	111.50.4500	4726	4272	134	4636	4364	60	45	M42	84	10	4497	4503	122	12	110	0.5	22	4835.6	217	30.4	42.1	3100
	25																	4845	191	34.5	47.8		

③ Internal Gear (113/114Series)



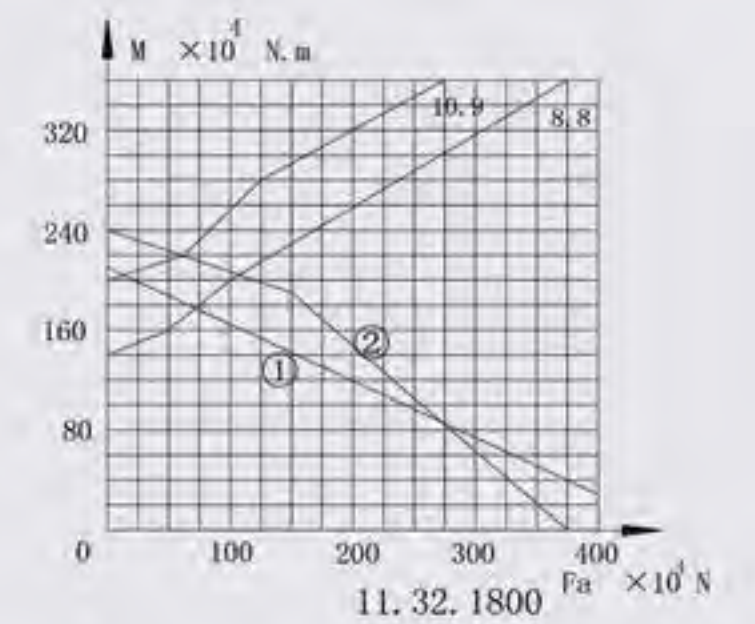
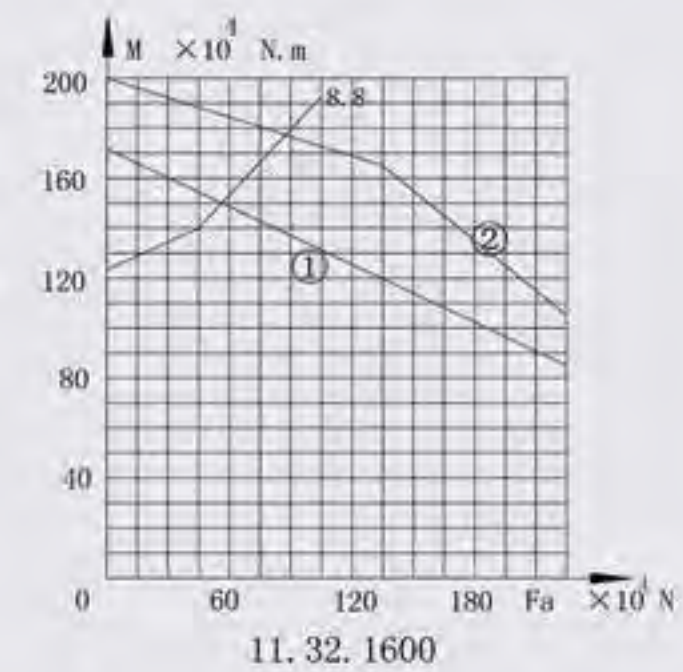
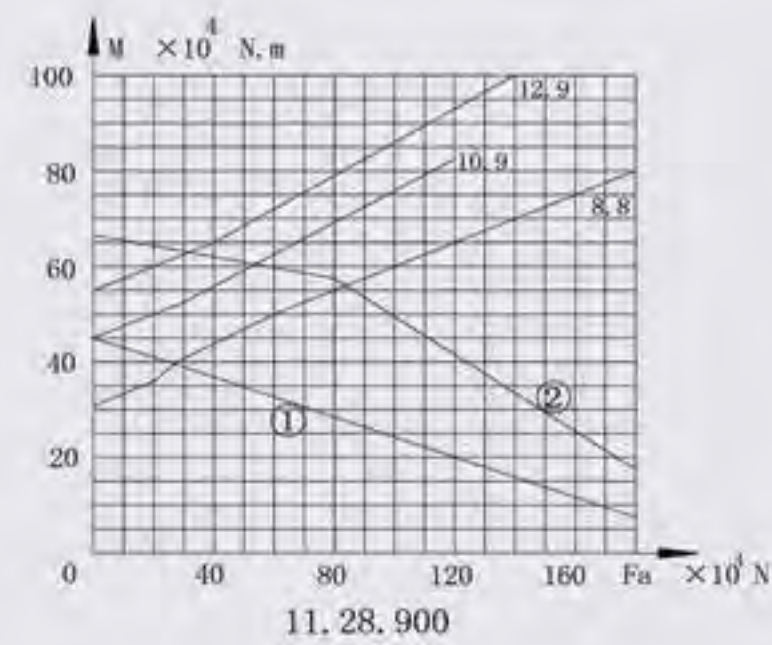
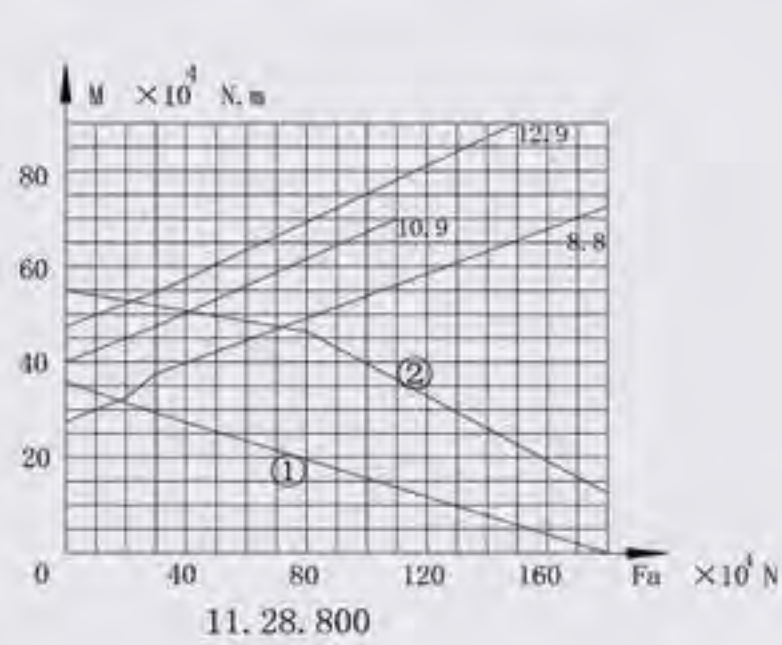
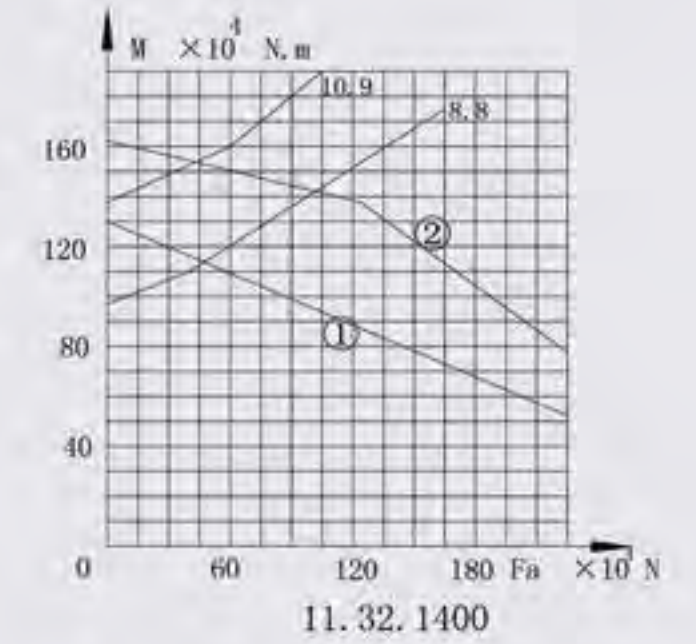
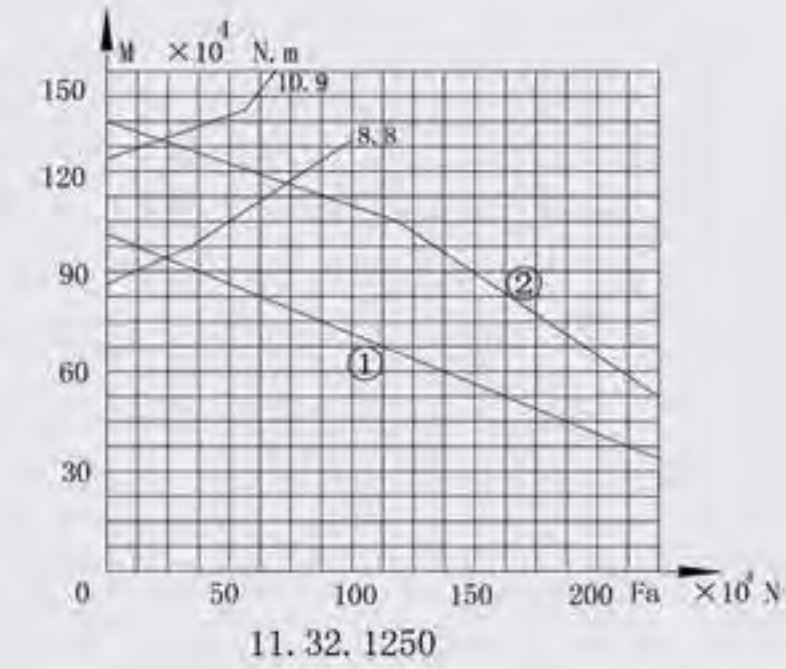
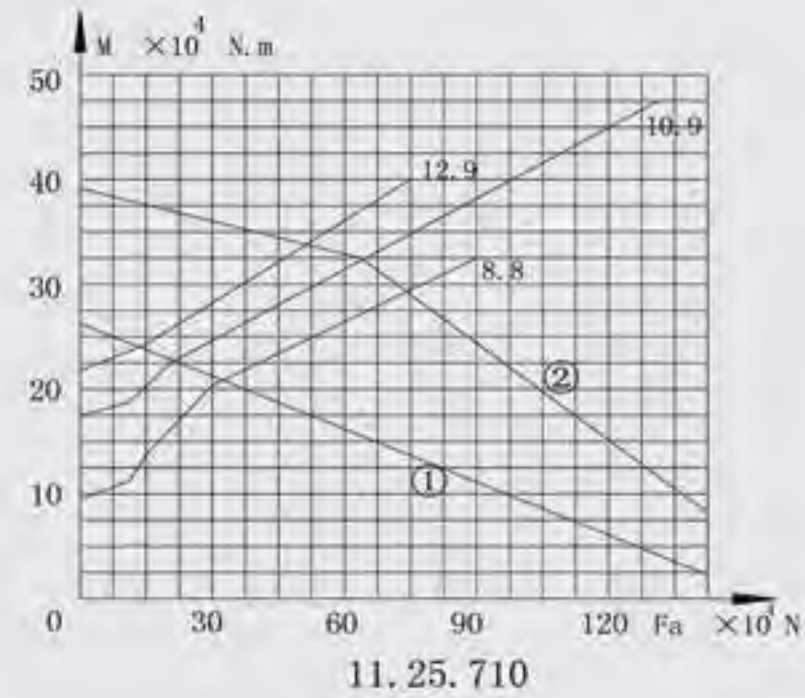
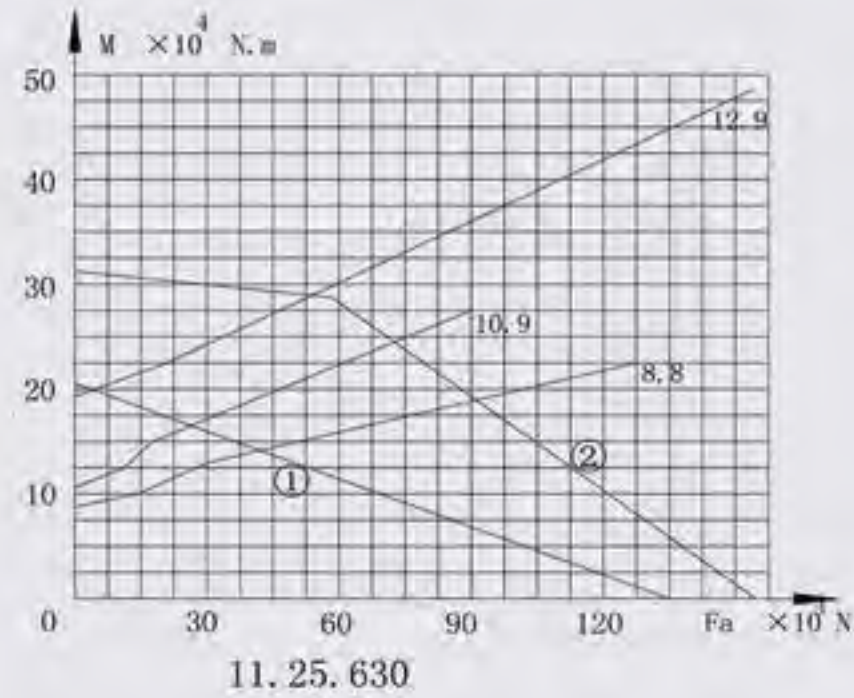
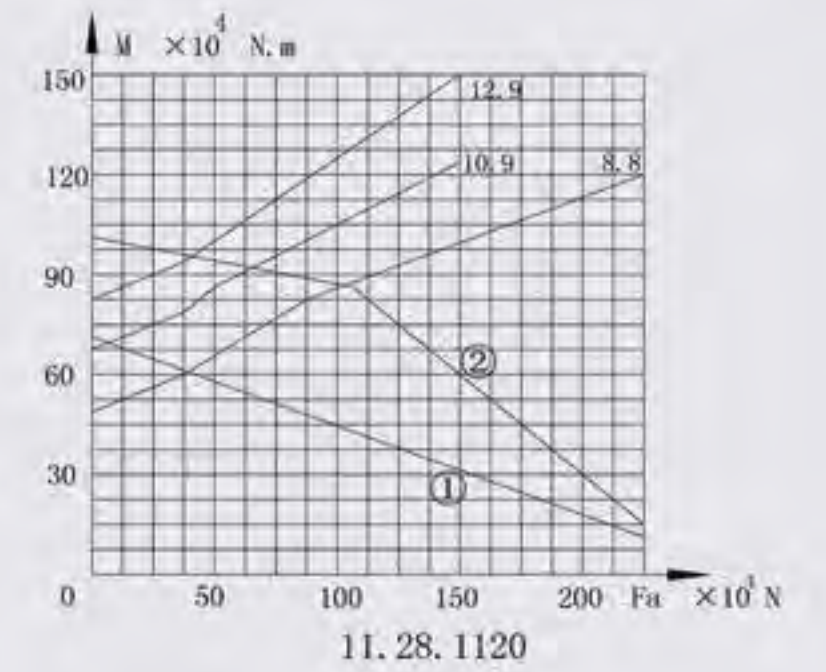
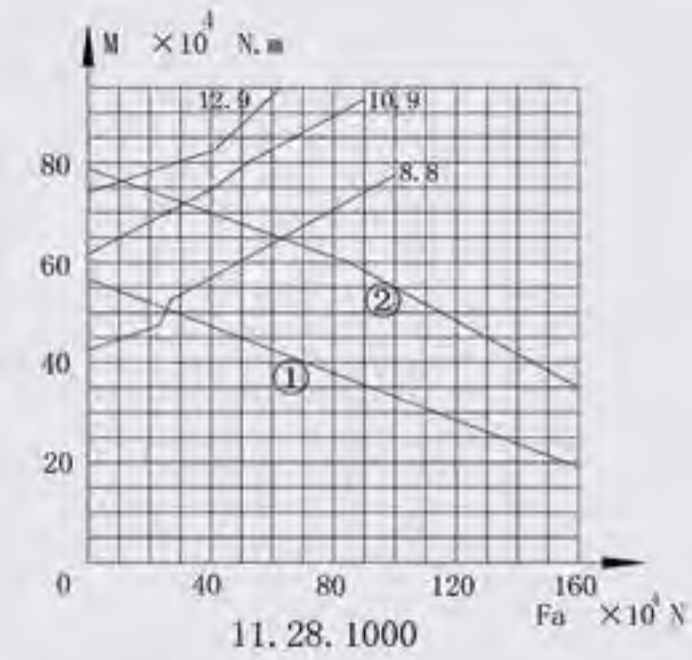
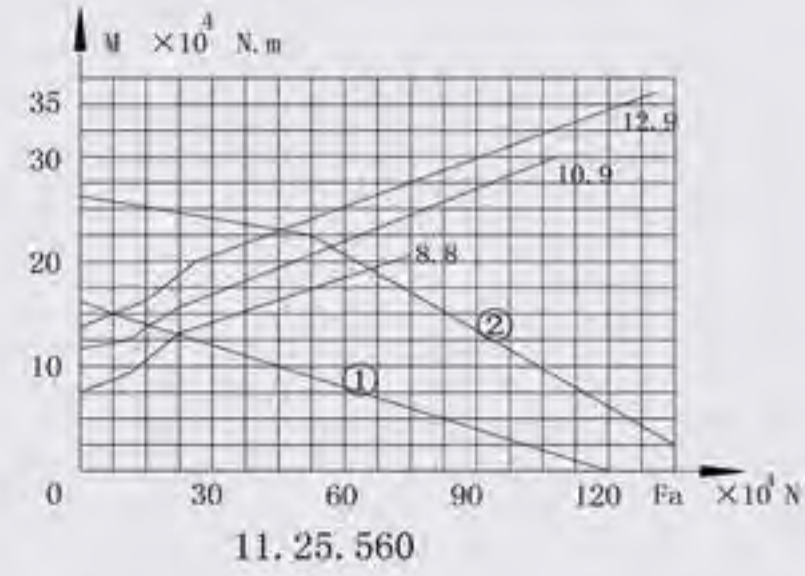
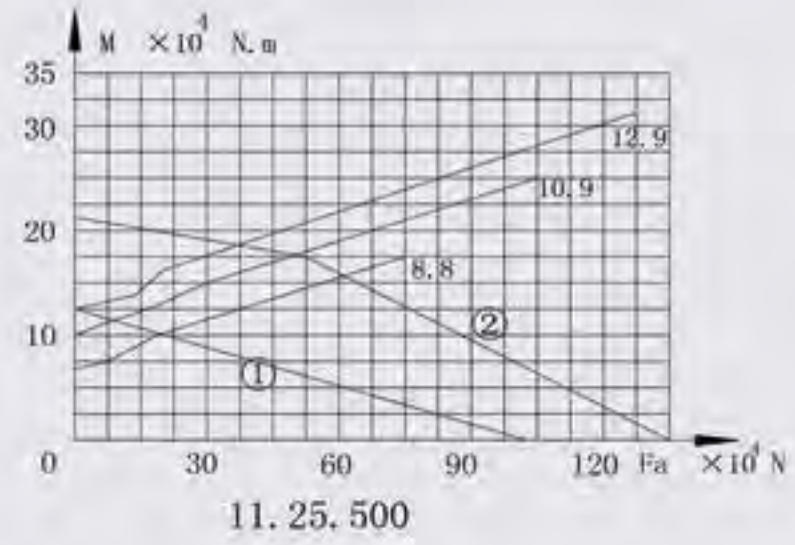
013.014

Note:

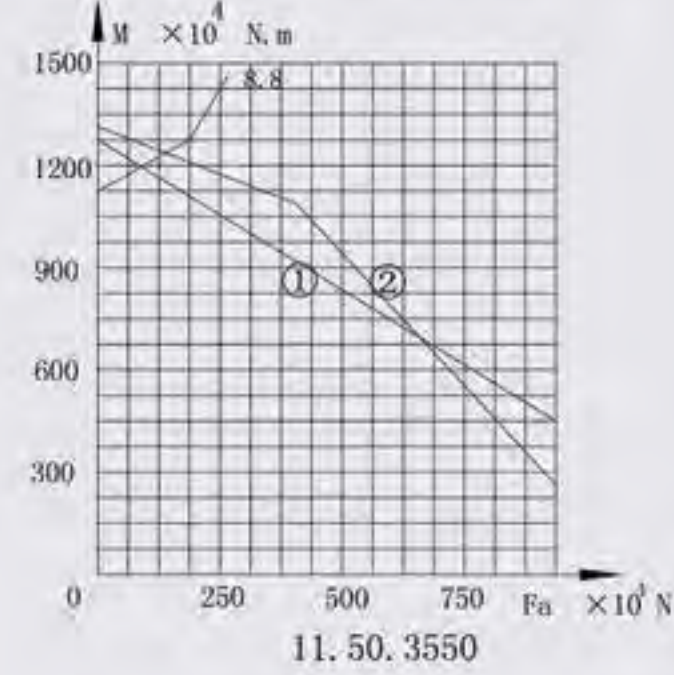
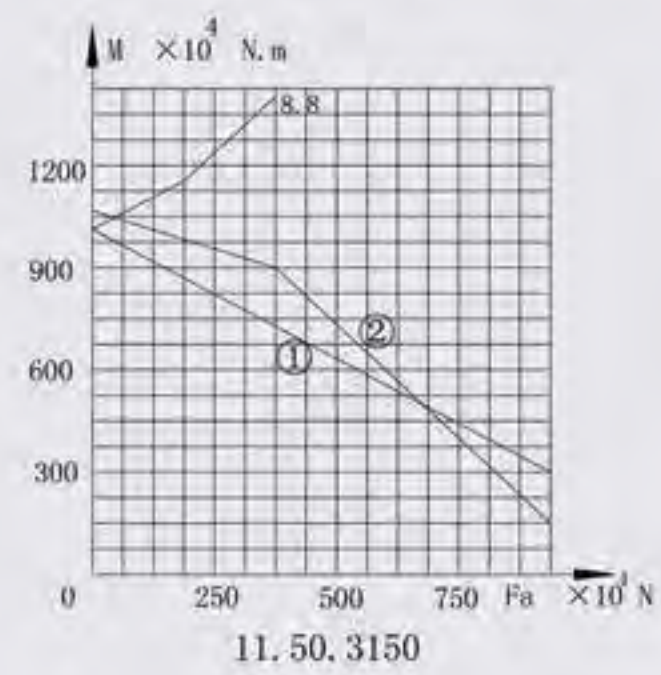
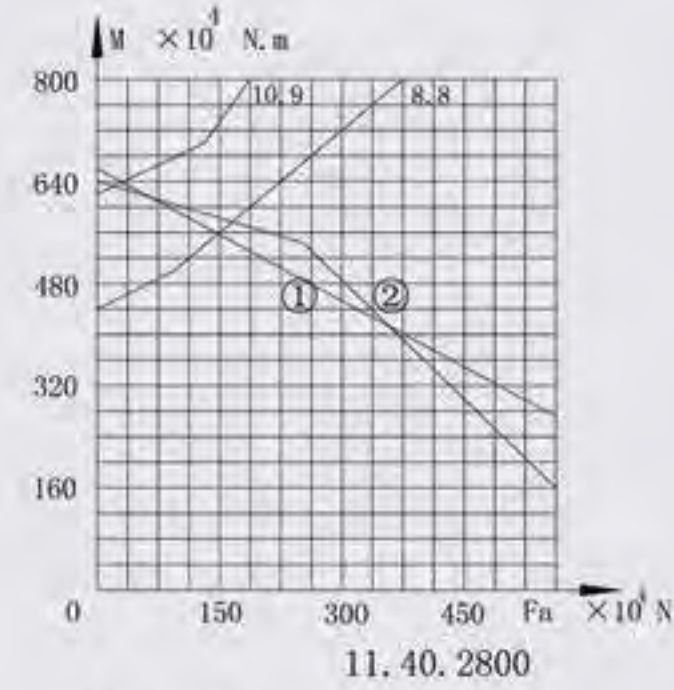
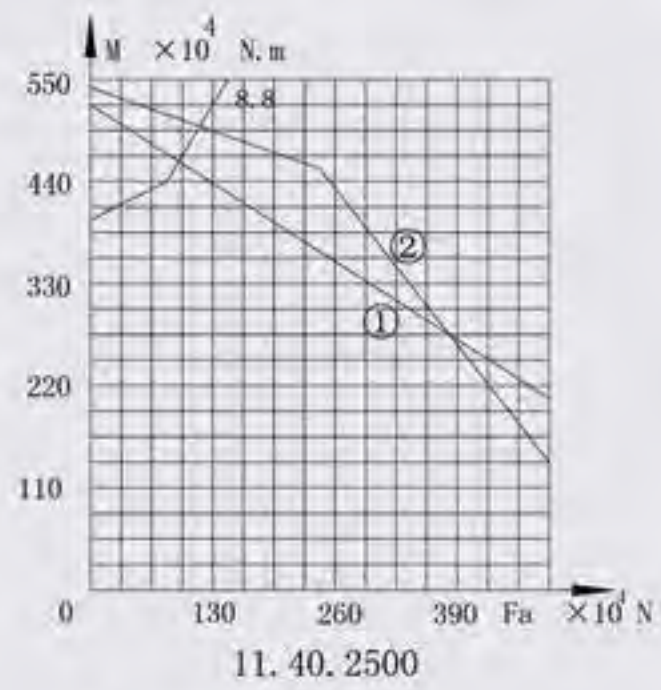
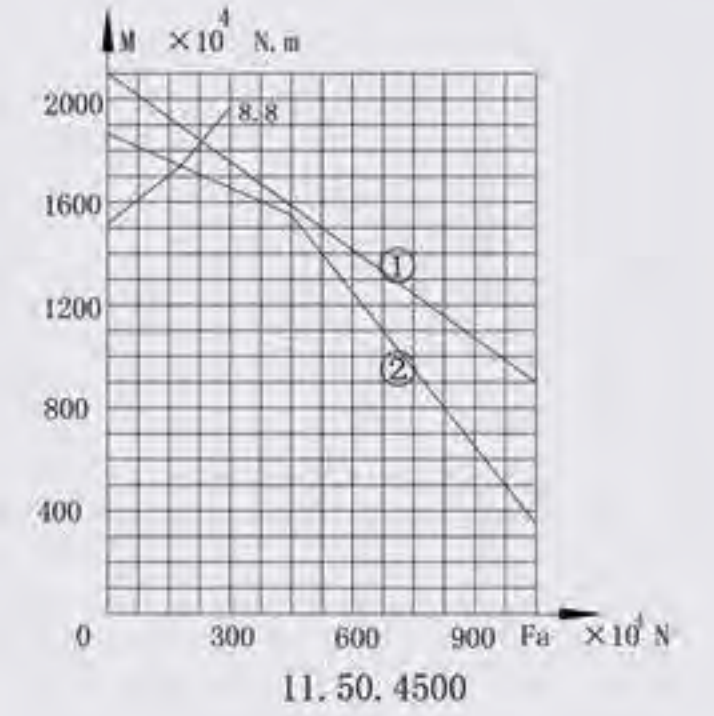
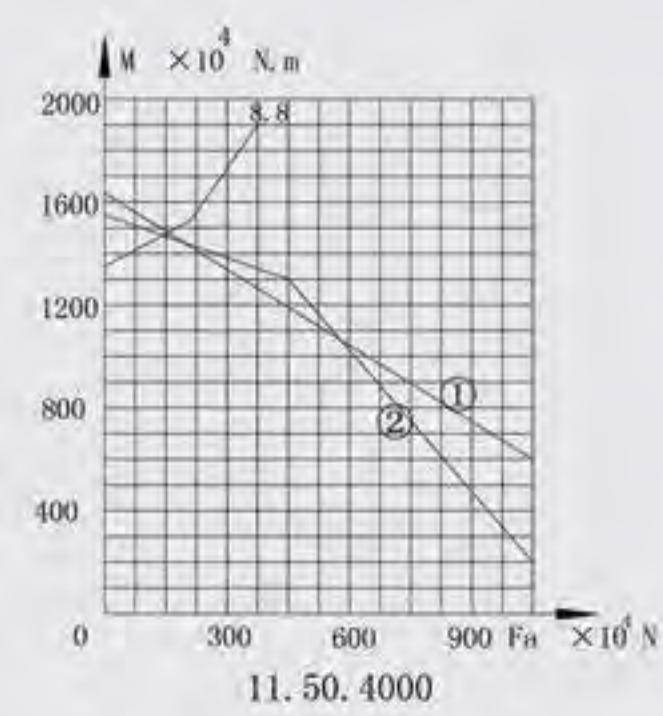
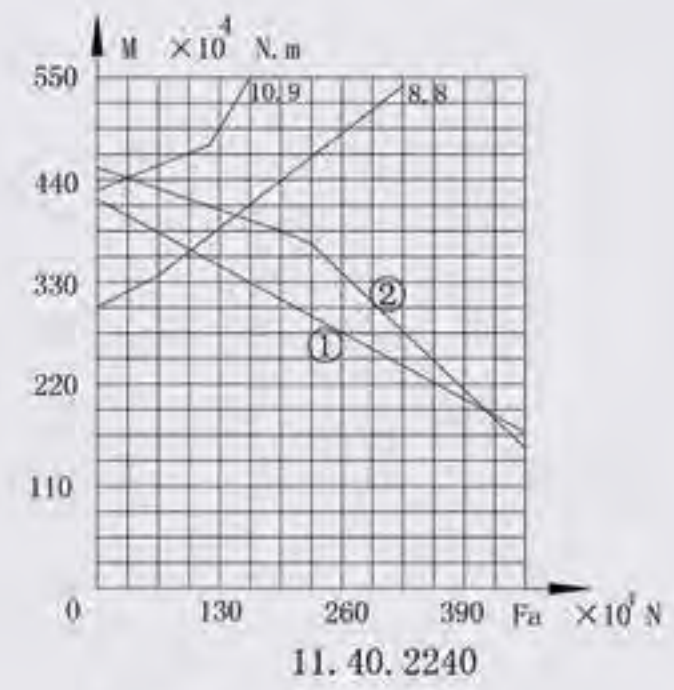
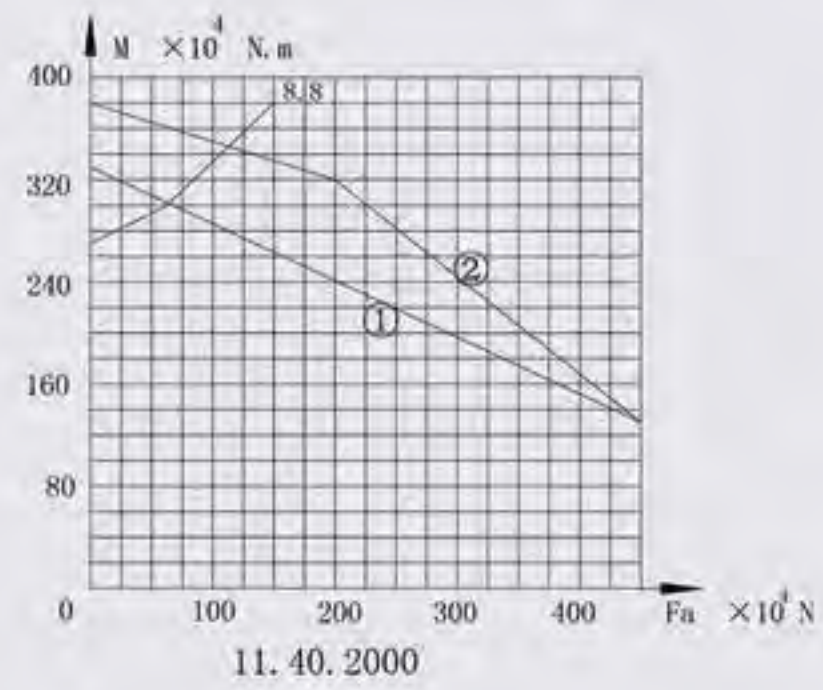
1. n1 is the nos of lubricating holes.Oil cup M10×1JB/T7940.1~JB/T7940.2.The Oil nipple's location can be change according to the user's application.
2. n-φ can change to tapped hole,the diameter of tapped hole is M,depth is 2M.
3. The tangential tooth force in the form is the max tooth force,the nominal tangential tooth force is 1/2 of the max one.
4. "K" is addendum reduction coefficient.

No.	Internal gear D L mm	Dimensions			Mounting Dimensions					Structural Dimension					Gear data					Tooth force		weight kg	
		D mm	d mm	H mm	D1 mm	D2 mm	n	∅ mm	dm mm	L mm	n1	D3 mm	d1 mm	H1 mm	h mm	b mm	x	m mm	De mm	z	Norma lizing Z10°N		Quenc hing T10°N
1	113.25.500	602	398	75	566	434	20	18	M16	32	4	498	502	65	10	60	0.5	5	367	74	3.7	5.2	80
	6																	368.4	62	4.5	6.2		
2	113.25.560	662	458	75	626	494	20	18	M16	32	4	558	562	65	10	60	0.5	5	427	86	3.7	5.2	90
	6																	428.4	72	4.5	6.2		
3	113.25.630	732	528	75	696	564	24	18	M16	32	4	628	632	65	10	60	0.5	6	494.4	83	4.5	6.2	100
	8																	491.2	62	6	8.3		
4	113.25.710	812	608	75	776	644	24	18	M16	32	4	708	712	65	10	60	0.5	6	572.4	96	4.5	6.2	110
	8																	571.2	72	6	8.3		
5	113.28.800	922	678	82	878	722	30	22	M20	40	6	798	802	72	10	65	0.5	8	635.2	80	6.5	9.1	170
	10																	634	64	8.1	11.4		
6	113.28.900	1022	778	82	978	822	30	22	M20	40	6	898	902	72	10	65	0.5	8	739.2	93	6.5	9.1	190
	10																	734	74	8.1	11.4		
7	113.28.1000	1122	878	82	1078	922	36	22	M20	40	6	998	1002	72	10	65	0.5	10	824	83	8.1	11.4	210
	12																	820.8	69	9.7	13.6		
8	113.28.1120	1242	998	82	1198	1042	36	22	M20	40	6	1118	1122	72	10	65	0.5	10	944	95	8.1	11.4	230
	12																	940.8	79	9.7	13.6		
9	113.32.1250	1390	1110	91	1337	1163	40	26	M24	48	5	1248	1252	81	10	75	0.5	12	1048.8	88	11.3	15.7	350
	14																	1041.6	75	13.2	18.2		
10	113.32.1400	1540	1260	91	1487	1313	40	26	M24	48	5	1398	1402	81	10	75	0.5	12	1192.8	100	11.3	15.7	400
	14																	1195.6	86	13.2	18.2		
11	113.32.1600	1740	1460	91	1687	1513	45	26	M24	48	5	1598	1602	81	10	75	0.5	14	1391.6	100	13.2	18.2	440
	16																	1382.4	87	15.1	22.4		
12	113.32.1800	1940	1660	91	1887	1713	45	26	M24	48	5	1798	1802	81	10	75	0.5	14	1573.6	113	13.2	18.2	500
	16																	1574.4	99	15.1	22.4		
13	113.40.2000	2178	1825	112	2110	1891	48	33	M30	60	8	1997	2003	100	12	90	0.5	16	1734.4	109	18.1	25	900
	18																	1735.2	97	20.3	28.1		
14	113.40.2240	2418	2065	112	2350	2131	48	33	M30	60	8	2237	2243	100	12	90	0.5	16	1990.4	125	18.1	25	1000
	18																	1987.2	111	20.3	28.1		
15	113.40.2500	2678	2325	112	2610	2391	56	33	M30	60	8	2497	2503	100	12	90	0.5	18	2239.2	125	20.3	28.1	1100
	20																	2228	112	22.6	31.3		
16	113.40.2800	2978	2625	112	2910	2691	56	33	M30	60	8	2797	2803	100	12	90	0.5	18	2527.2	141	20.3	28.1	1250
	20																	2528	127	22.6	31.3		
17	113.50.3150	3376	2922	134	3286	3014	56	45	M42	84	8	3147	3153	122	12	110	0.5	20	2828	142	27.6	38.3	2150
	22																	2824.8	129	30.4	42.1		
18	113.50.3550	3776	3322	134	3686	3414	56	45	M42	84	8	3547	3553	122	12	110	0.5	20	3228	162	30.4	38.3	2470
	22																	3220.8	147	30.4	42.1		
19	113.50.4000	4226	3772	134	4136	3864	60	45	M42	84	10	3997	4003	122	12	110	0.5	22	3660.8	167	30.4	42.1	2800
	25																	3660	147	34.5	47.8		
20	113.50.4500	4726	4272	134	4636	4364	60	45	M42	84	10	4497	4503	122	12	110	0.5	22	4166.8	190	30.4	42.1	3100
	25																	4160	167	34.5	47.8		

5. Single Row Crossed Roller Slewing Bearing



5. Single Row Crossed Roller Slewing Bearing



6. Double Row Ball Slewing Bearing

Characteristic of structure, performance and application

Double row ball slewing bearing has three seat ring, the steel ball and the spacing block can be directly arrange into the upper and lower races, two rows of upper and lower steel balls with different diameter are fitted according to the stress condition.

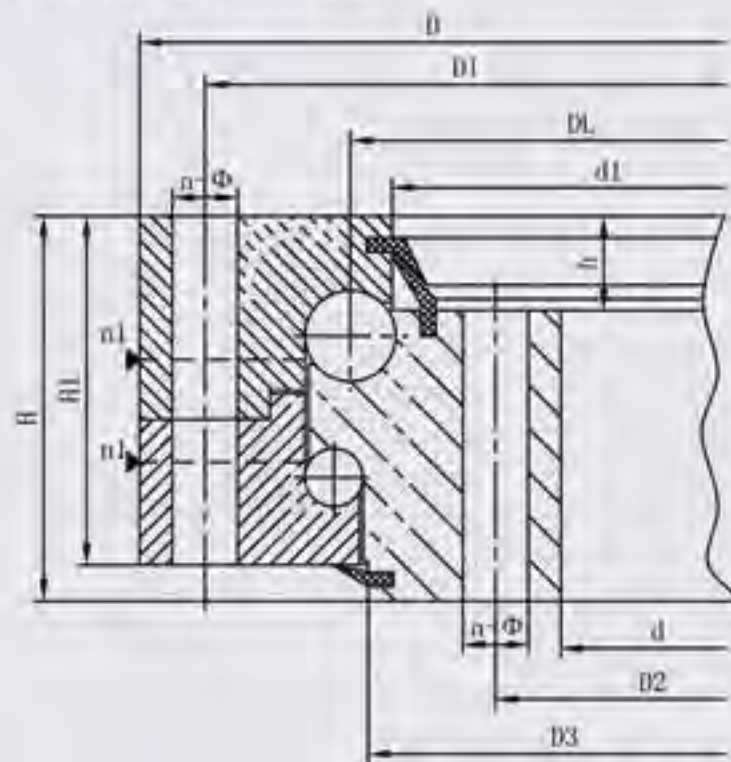
This kind of open assembly is very convenient, for the upper and lower bear raceway arc angles is 90° , whi can bear large axial forces and tilting moment. When the radial force is greater than 0.1 times the axial for need to be specially designed the raceway.

Double row different ball slewing bearing's axial and radial size are relatively large and solid in structure, si is specially suitable for the medium diameter tower cranes, truck mounted cranes etc. loading and unloading machinery.

Note:

1. n_1 is the nos of lubricating holes. Oil cup M10×1JB/T7940.1~JB/T7940.2. The Oil nipple's location can be change according to the user's application.
2. $n-\phi$ can change to tapped hole, the diameter of tapped hole is M, depth is 2M.
3. The tangential tooth force in the form is the max tooth force, the nominal tangential tooth force is 1/2 of the max one.
4. "K" is addendum reduction coefficient.

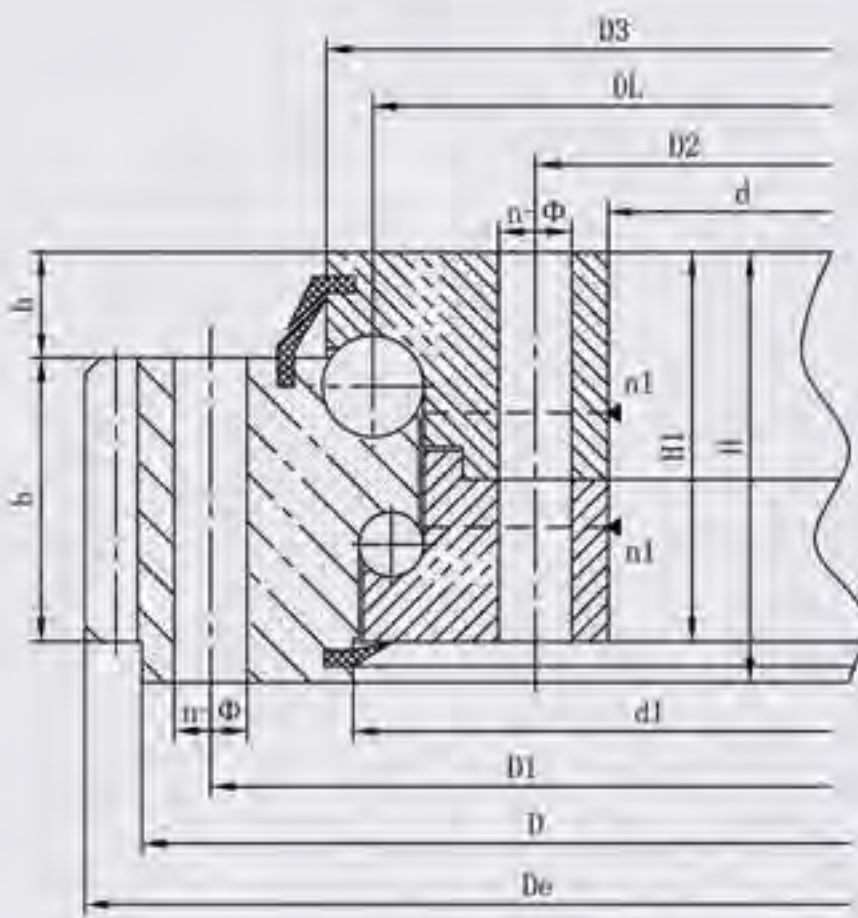
① Ungear (020 Series)



020

No.	Non gear D L mm	Dimensions			Mounting Dimensions				Structural Dimension				Gear data					Tooth force		weight kg	
		D mm	d mm	H mm	D1 mm	D2 mm	n	Ø mm	D3 mm	d1 mm	n1	H1 mm	h mm	b mm	x	m mm	De mm	z	Norma lizing Z10 ⁴ N		Quenc hing T10 ⁴ N
1	020.25.500	616	384	106	580	420	20	18	482	477	4	96	26								100
2	020.25.560	676	444	106	640	480	20	18	542	537	4	96	26								115
3	020.25.630	746	514	106	710	550	24	18	612	607	4	96	26								130
4	020.25.710	826	594	106	790	630	24	18	692	687	4	96	26								140
5	020.30.800	942	658	124	898	702	30	22	777	771	6	114	29								200
6	020.30.900	1042	758	124	998	802	30	22	877	871	6	114	29								250
7	020.30.1000	1142	858	124	1098	902	36	22	977	971	6	114	29								300
8	020.30.1120	1262	978	124	1218	1022	36	22	1097	1091	6	114	29								340
9	020.40.1250	1426	1074	160	1374	1126	40	26	1215	1214	5	150	39								580
10	020.40.1400	1576	1224	160	1524	1272	40	26	1365	1364	5	150	39								650
11	020.40.1600	1776	1424	160	1724	1476	45	26	1565	1564	5	150	39								750
12	020.40.1800	1976	1624	160	1924	1676	45	26	1765	1764	5	150	39								820
13	020.50.2000	2215	1785	190	2149	1851	48	33	1965	1962	8	178	47								1150
14	020.50.2240	2455	2025	190	2389	2091	48	33	2206	2202	8	178	47								1500
15	020.50.2500	2715	2285	190	2649	2351	56	33	2465	2462	8	178	47								1700
16	020.50.2800	3015	2585	190	2949	2651	56	33	2765	2762	8	178	47								1900
17	020.60.3150	3428	2872	226	3338	2962	56	45	3104	3102	8	214	56								3300
18	020.60.3550	3828	3272	226	3738	3362	56	45	3504	3502	8	214	56								3700
19	020.60.4000	4278	3722	226	4188	3812	60	45	3954	3952	10	214	56								4200
20	020.60.4500	4778	4222	226	4688	4312	60	45	4454	4452	10	214	56								4700

② External Gear (021/022 Series)



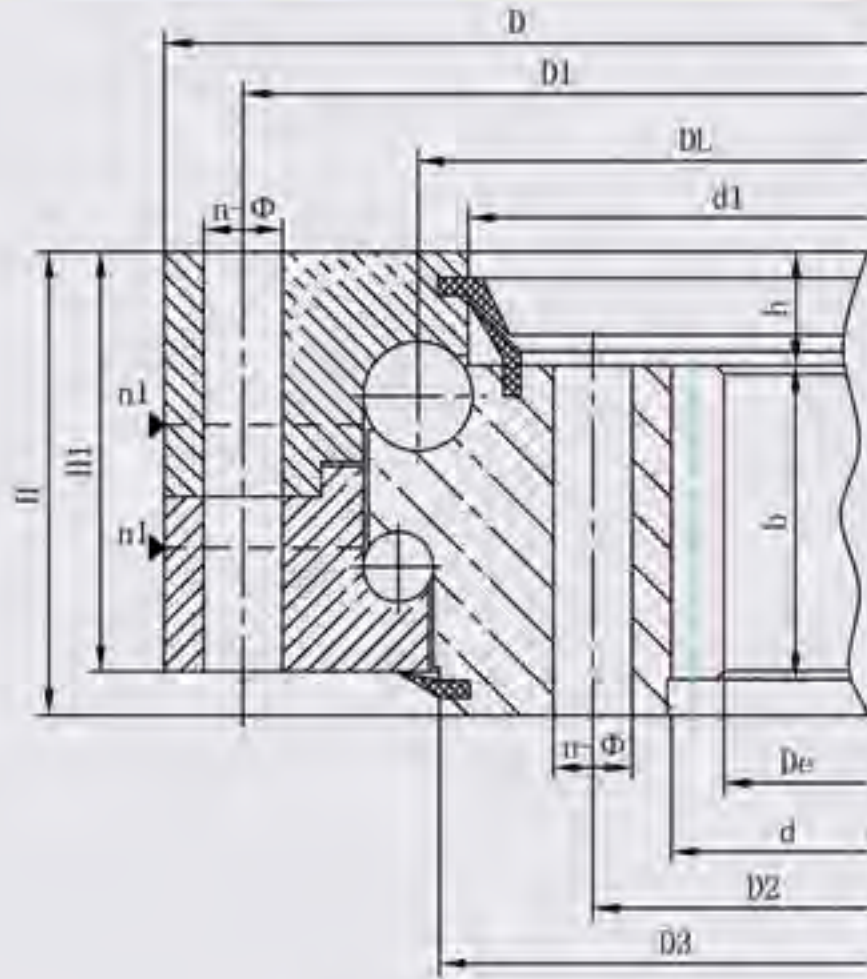
021.022

Note:

1. n1 is the nos of lubricating holes. Oil cup M10×1JB/T7940.1~JB/T7940.2. The Oil nipple's location can be change according to the user's application.
2. n-φ can change to tapped hole, the diameter of tapped hole is M, depth is 2M.
3. The tangential tooth force in the form is the max tooth force, the nominal tangential tooth force is 1/2 of the max one.
4. "K" is addendum reduction coefficient.

No.	External gear D L mm	Dimensions			Mounting Dimensions				Structural Dimension				Gear data				Tooth force		weight kg		
		D mm	d mm	H mm	D1 mm	D2 mm	n	∅ mm	D3 mm	d1 mm	n1	H1 mm	h mm	b mm	x	m mm	De mm	z		Normalizing Z10°N	Quenching T10°N
1	021.25.500	616	384	106	580	420	20	18	523	518	4	96	26	60	0.5	5	644	126	3.7	5.2	100
	6															646.8	105	4.5	6.2		
2	021.25.560	676	444	106	640	480	20	18	583	578	4	96	26	60	0.5	5	704	138	3.7	5.2	115
	6															706.8	115	4.5	6.2		
3	021.25.630	746	514	106	710	550	24	18	653	648	4	96	26	60	0.5	6	790.8	129	4.5	6.2	130
	8															790.4	96	6	8.3		
4	021.25.710	826	594	106	790	630	24	18	733	728	4	96	26	60	0.5	6	862.8	141	4.5	6.2	140
	8															862.4	105	6	8.3		
5	021.30.800	942	658	124	898	702	30	22	829	823	6	114	29	80	0.5	8	982.4	120	8	11.1	200
	10															988	96	10	14		
6	021.30.900	1042	758	124	998	802	30	22	929	923	6	114	29	80	0.5	8	1086.4	133	8	11.1	250
	10															1088	106	10	14		
7	021.30.1000	1142	858	124	1098	902	36	22	1029	1023	6	114	29	80	0.5	10	1198	117	10	14	300
	12															1197.6	97	12	16.7		
8	021.30.1120	1262	978	124	1218	1022	36	22	1148	1143	6	114	29	80	0.5	10	1318	129	10	14	340
	12															1317.6	107	12	16.7		
9	021.40.1250	1426	1074	160	1374	1126	40	26	1286	1282	5	150	39	90	0.5	12	1497.6	122	13.5	18.8	580
	14															1495.2	104	15.8	21.9		
10	021.40.1400	1576	1224	160	1524	1272	40	26	1436	1432	5	150	39	90	0.5	12	1641.6	134	13.5	18.8	650
	14															1649.2	115	15.8	21.9		
11	021.40.1600	1776	1424	160	1724	1476	45	26	1636	1635	5	150	39	90	0.5	14	1845.2	129	15.8	21.9	750
	16															1852.8	113	18.1	25		
12	021.40.1800	1976	1624	160	1924	1676	45	26	1836	1835	5	150	39	90	0.5	14	2055.2	144	15.8	21.9	820
	16															2060.8	126	18.1	25		
13	021.50.2000	2215	1785	190	2149	1851	48	33	2038	2035	8	178	47	120	0.5	16	2300.8	141	24.1	33.3	1150
	18															2300.4	125	27.1	37.5		
14	021.50.2240	2455	2025	190	2389	2091	48	33	2278	2275	8	178	47	120	0.5	16	2540.8	156	24.1	33.3	1500
	18															2552.4	139	27.1	37.5		
15	021.50.2500	2715	2285	190	2649	2351	56	33	2538	2532	8	178	47	120	0.5	18	2804.4	153	27.1	37.5	1700
	20															2816	138	30.1	41.8		
16	021.50.2800	3015	2585	190	2949	2651	56	33	2838	2832	8	178	47	120	0.5	18	3110.4	170	27.1	37.5	1900
	20															3116	153	30.1	41.8		
17	021.60.3150	3428	2872	226	3338	2962	56	45	3198	3196	8	214	56	150	0.5	20	3536	174	37.7	52.2	3300
	22															3537.6	158	41.5	57.4		
18	021.60.3550	3828	3272	226	3738	3362	56	45	3598	3596	8	214	56	150	0.5	20	3936	194	37.7	52.2	3700
	22															3933.6	176	41.5	57.4		
19	021.60.4000	4278	3722	226	4188	3812	60	45	4048	4046	10	214	56	150	0.5	22	4395.6	197	41.5	57.4	4200
	25															4395	173	47.1	65.2		
20	021.60.4500	4778	4222	226	4688	4312	60	45	4548	4546	10	214	56	150	0.5	22	4879.6	219	41.5	57.4	4700
	25															4895	193	47.1	65.2		

③ Internal Gear (023/024 Series)



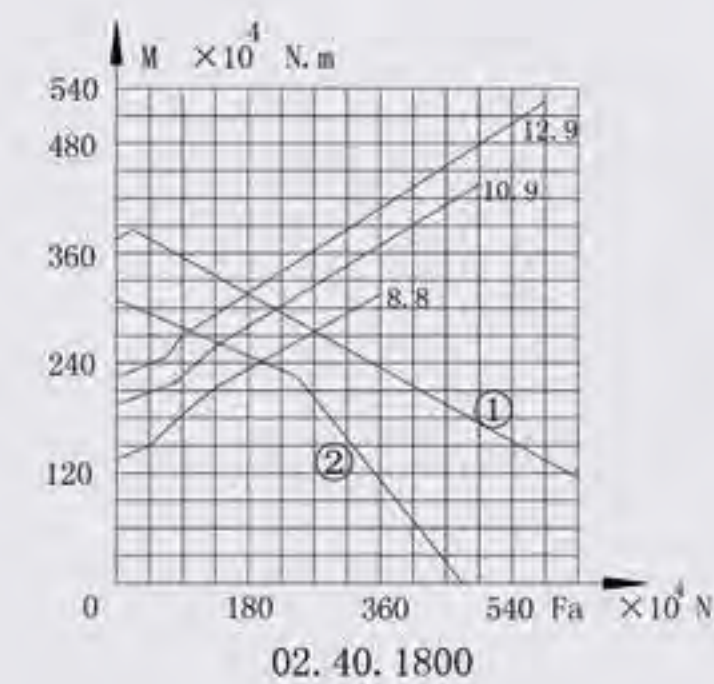
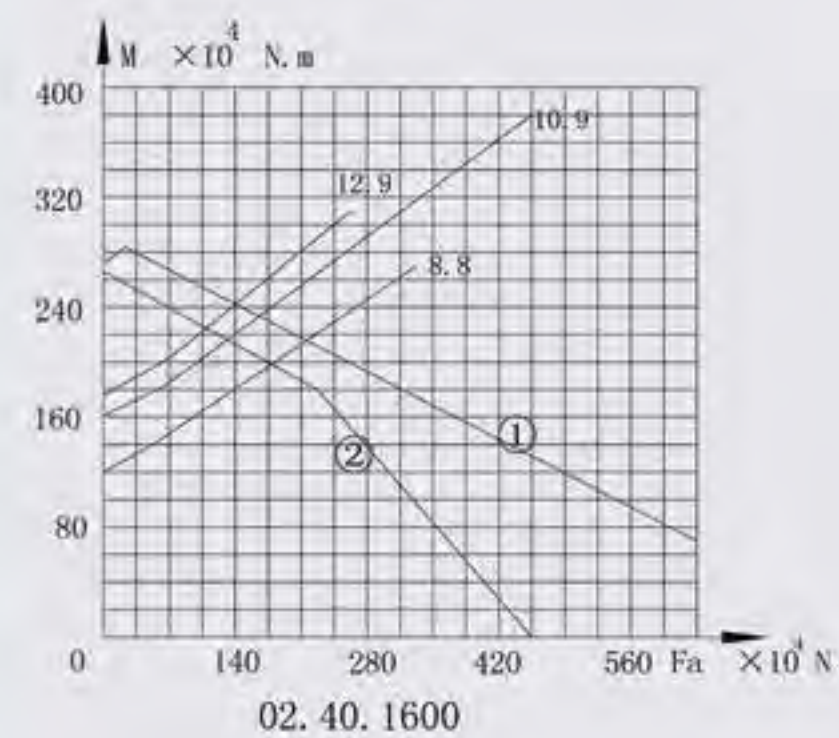
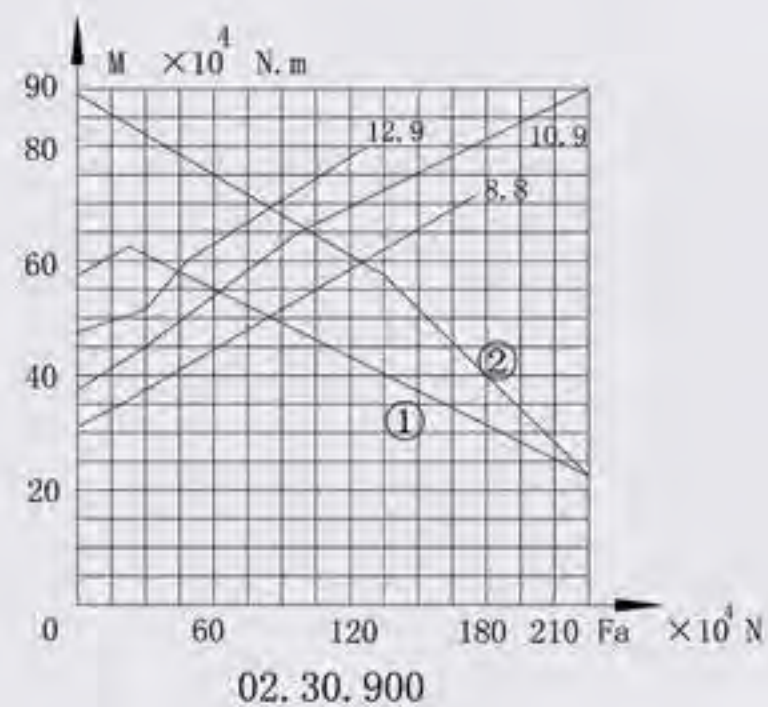
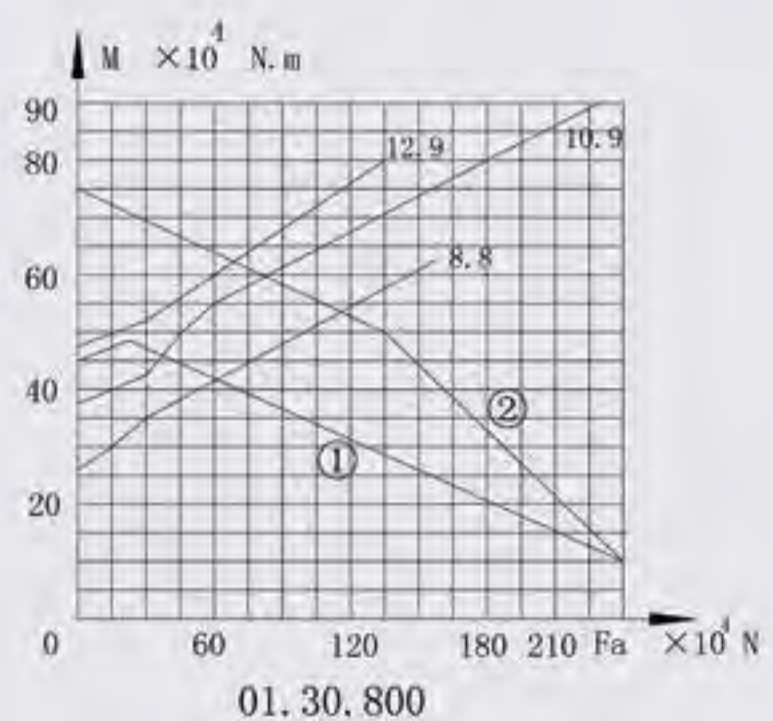
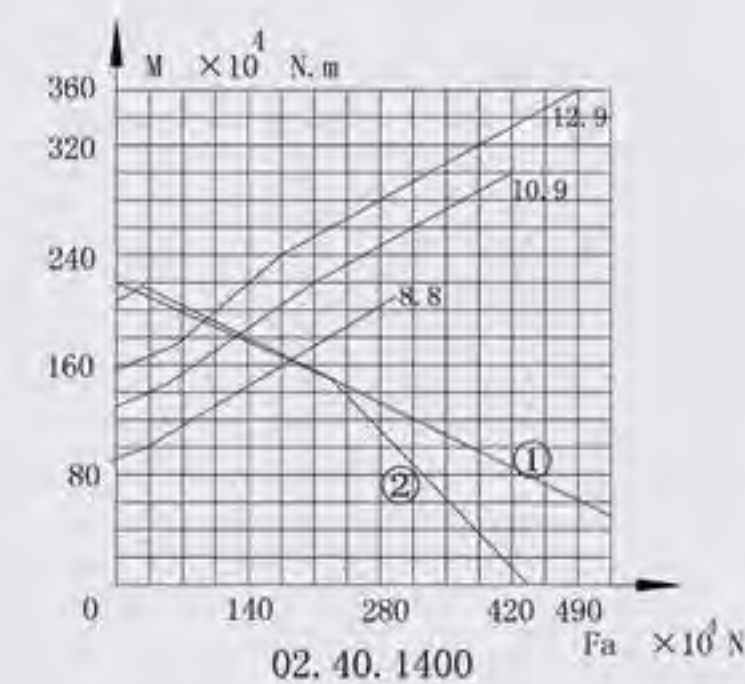
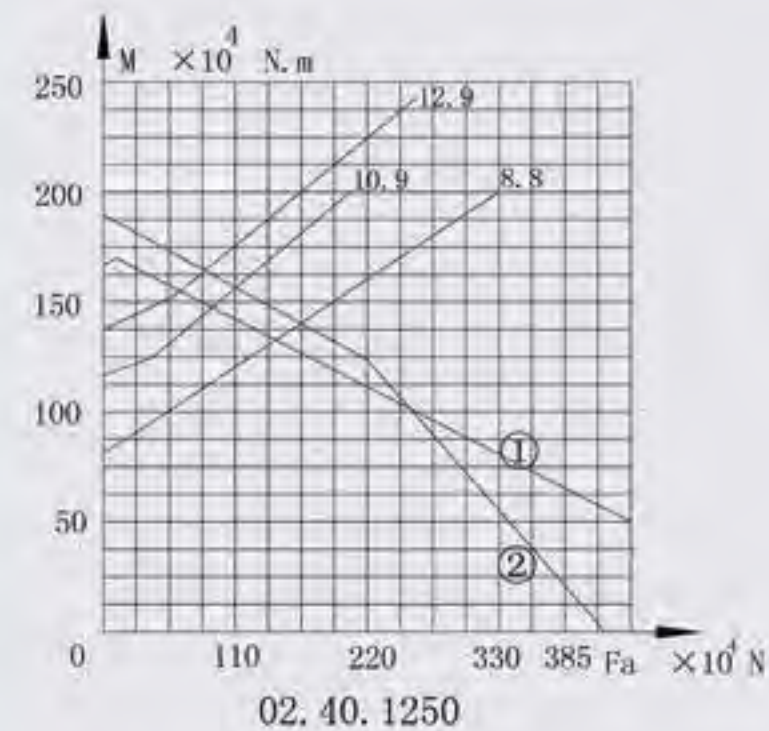
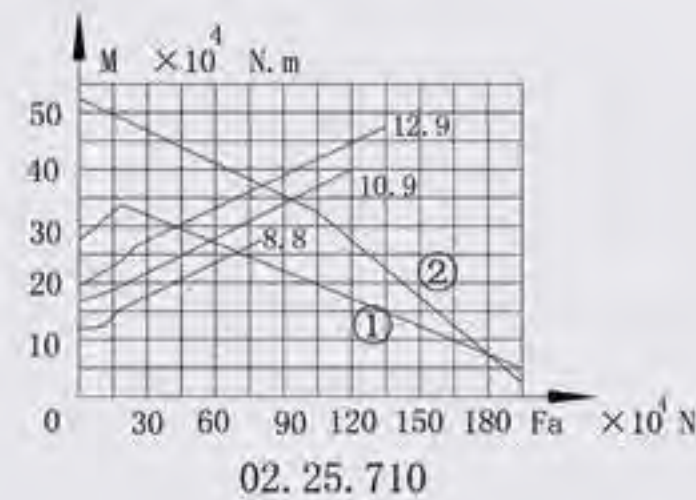
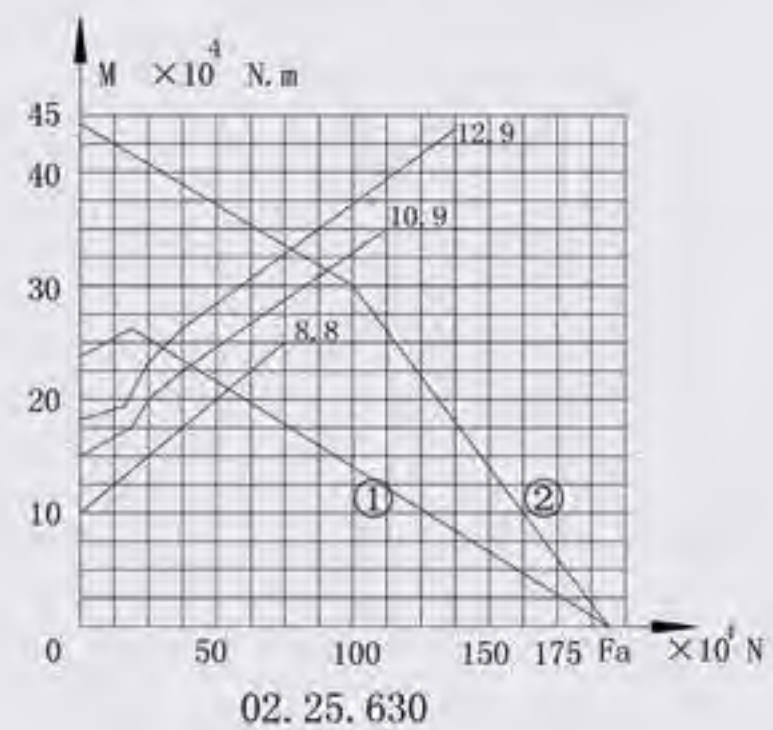
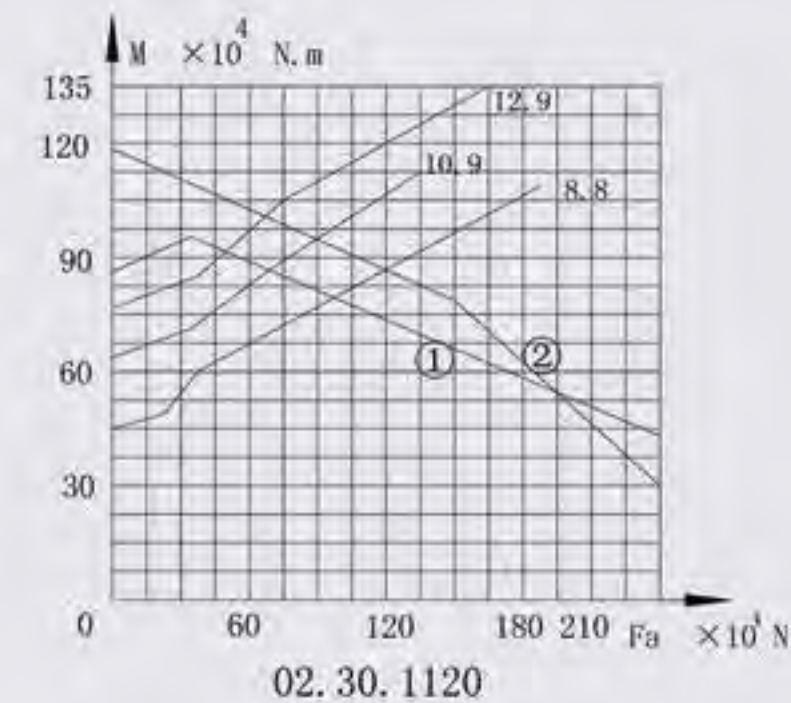
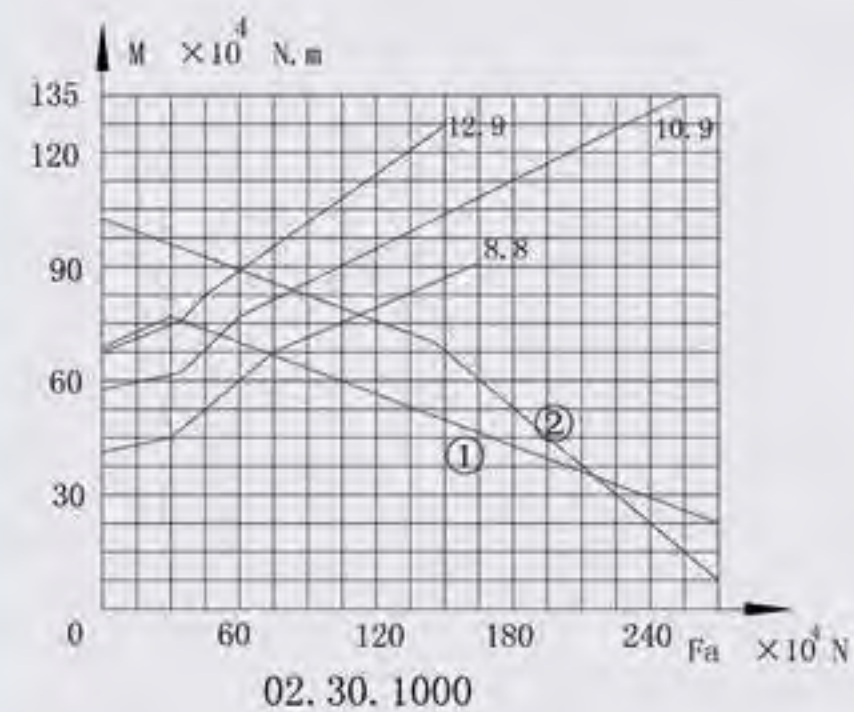
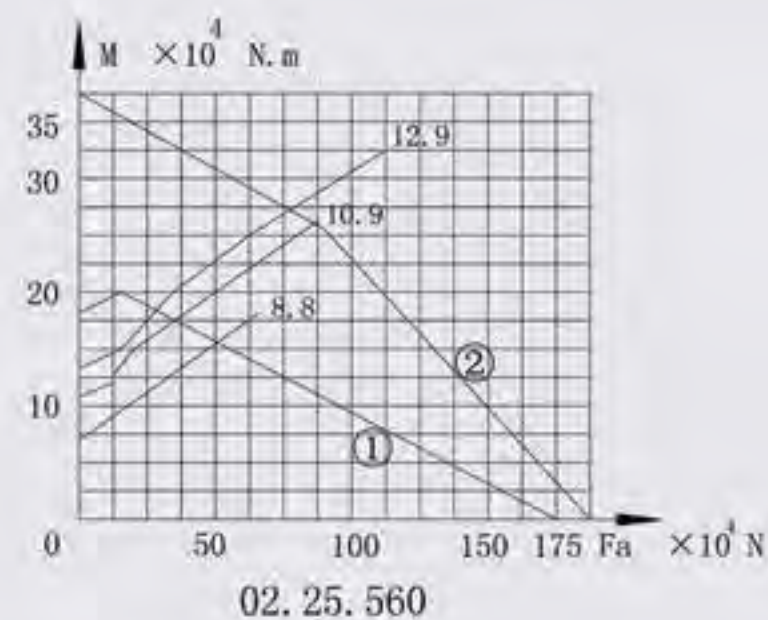
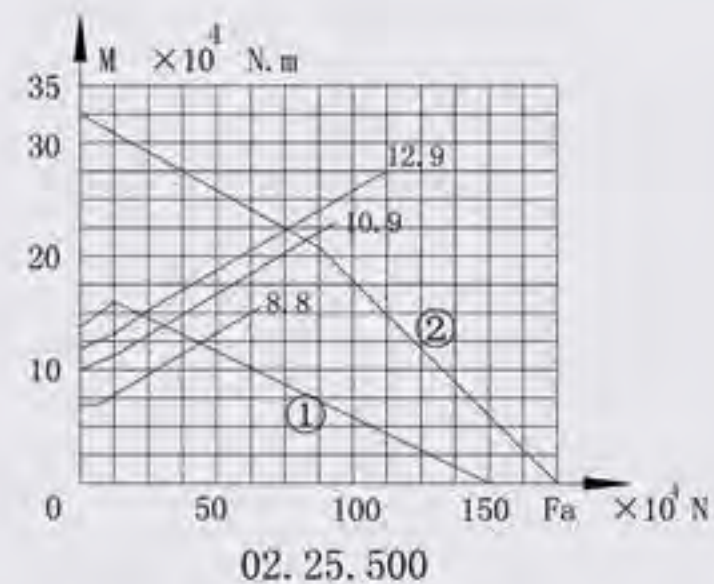
023.024

Note:

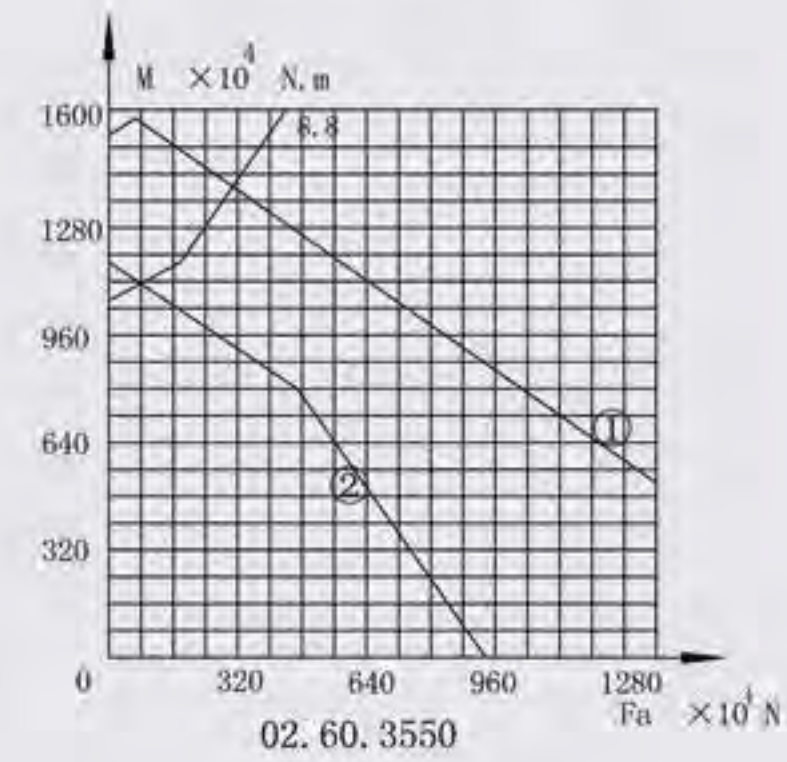
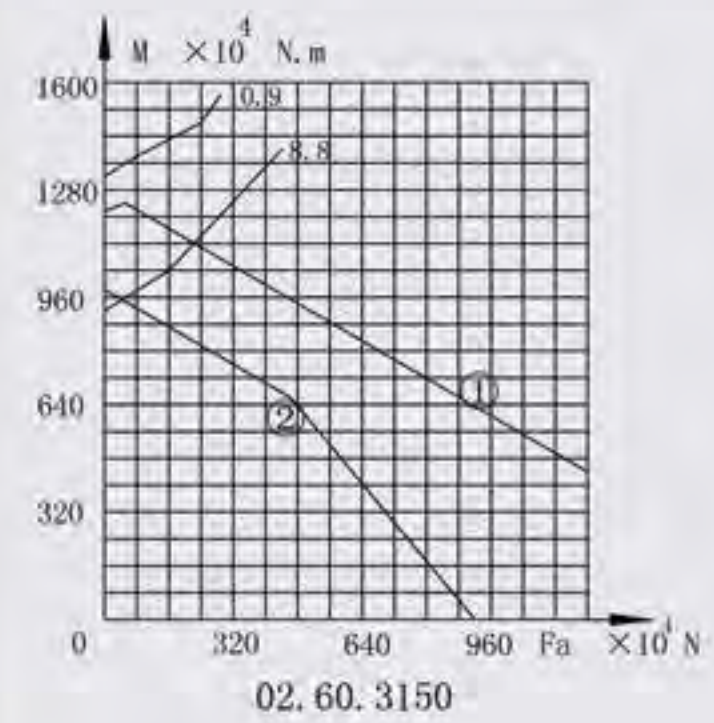
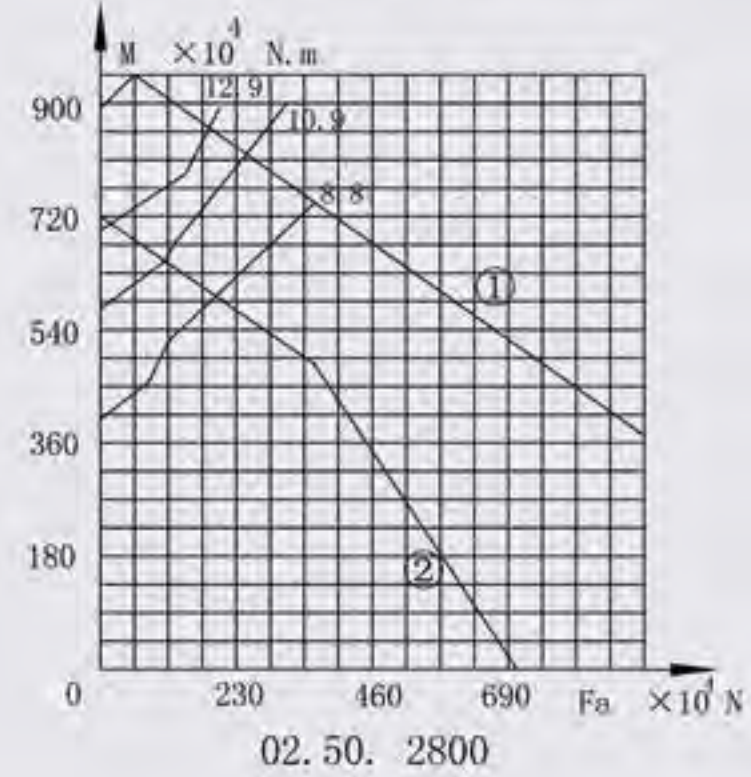
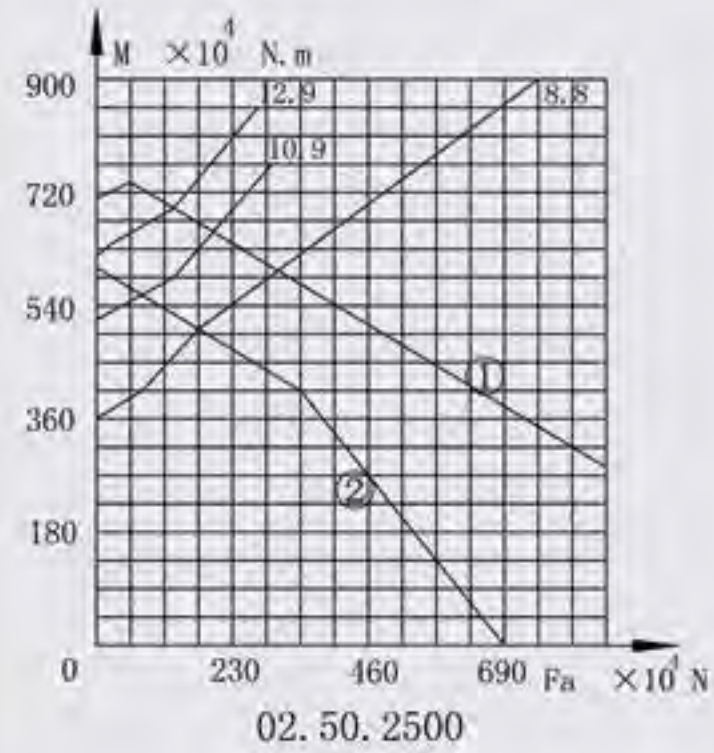
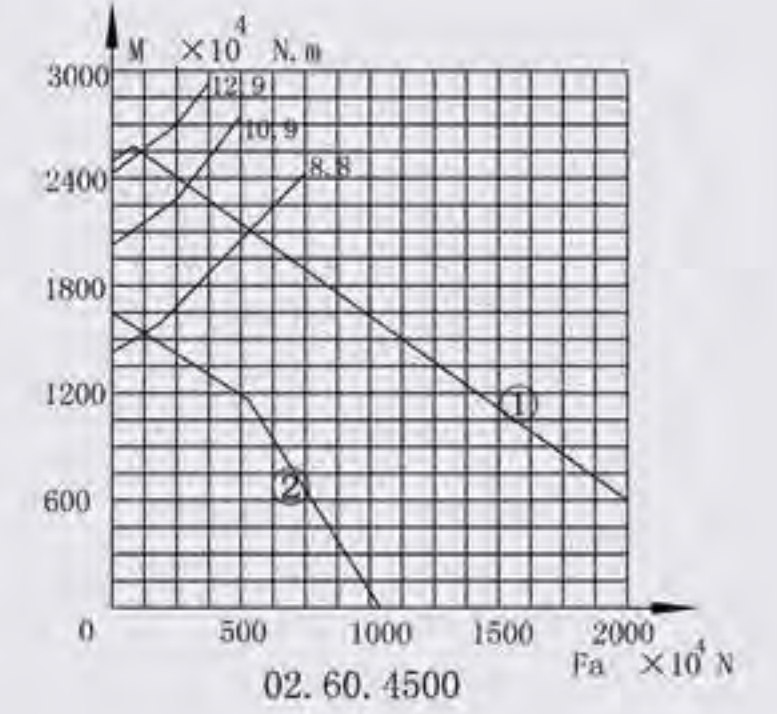
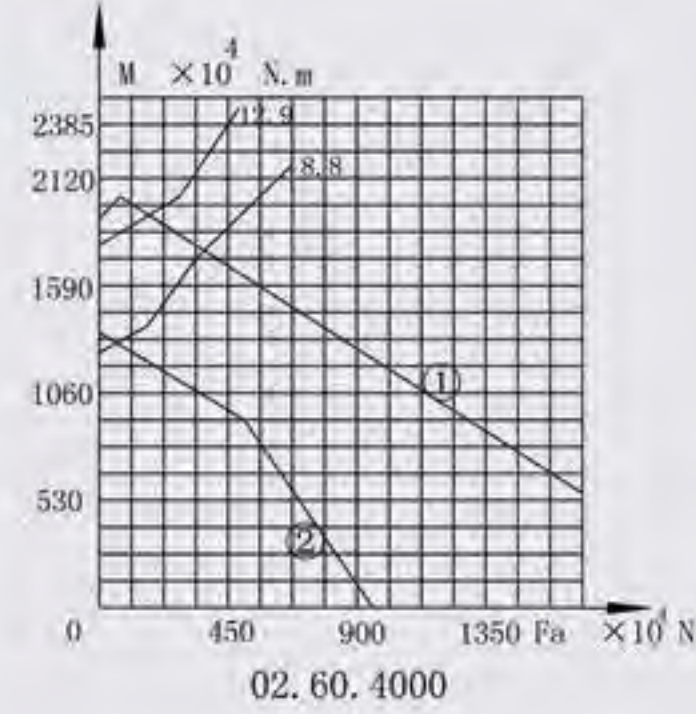
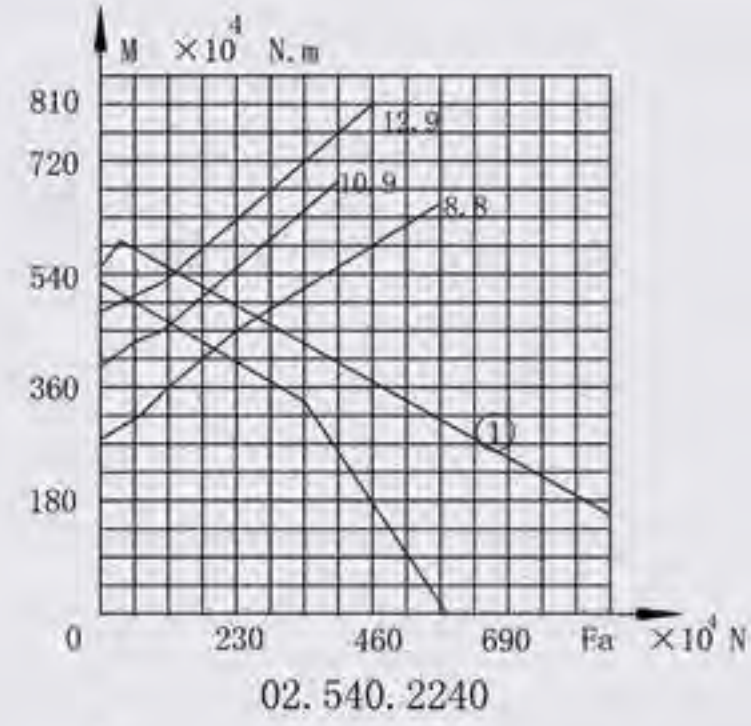
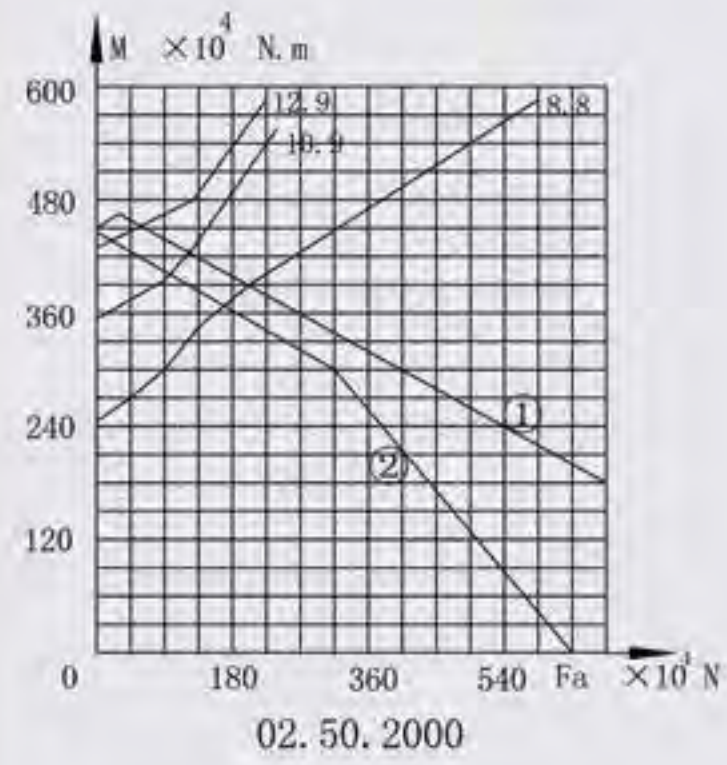
1. n1 is the nos of lubricating holes. Oil cup M10×1JB/T7940.1~JB/T7940.2. The Oil nipple's location can be change according to the user's application.
2. n-φ can change to tapped hole, the diameter of tapped hole is M, depth is 2M.
3. The tangential tooth force in the form is the max tooth force, the nominal tangential tooth force is 1/2 of the max one.
4. "K" is addendum reduction coefficient.

No.	Internal gear D L mm	Dimensions			Mounting Dimensions				Structural Dimension				Gear data				Tooth force		weight kg		
		D mm	d mm	H mm	D1 mm	D2 mm	n	∅ mm	D3 mm	d1 mm	n1	H1 mm	h mm	b mm	x	m mm	De mm	z		Norma lizing Z10°N	Quenc hing T10°N
1	023.25.500	616	384	106	580	420	20	18	482	477	4	96	26	60	0.5	5	257	72	3.7	5.2	100
	6															350.4	59	4.5	6.2		
2	023.25.560	676	444	106	640	480	20	18	542	537	4	96	26	60	0.5	5	417	84	3.7	5.2	115
	6															410.4	69	4.5	6.2		
3	023.25.630	746	514	106	710	550	24	18	612	607	4	96	26	60	0.5	6	482.4	81	4.5	6.2	130
	8															475.2	60	6	8.3		
4	023.25.710	826	594	106	790	630	24	18	692	687	4	96	26	60	0.5	6	560.4	94	4.5	6.2	140
	8															555.2	70	6	8.3		
5	023.30.800	942	658	124	898	702	30	22	777	771	6	114	29	80	0.5	8	619.2	78	8	11.1	200
	10															614	62	10	14		
6	023.30.900	1042	758	124	998	802	30	22	877	871	6	114	29	80	0.5	8	715.2	90	8	11.1	250
	10															714	72	10	14		
7	023.30.1000	1142	858	124	1098	902	36	22	977	971	6	114	29	80	0.5	10	814	82	10	14	300
	12															796.8	67	12	16.7		
8	023.30.1120	1262	978	124	1218	1022	36	22	1097	1091	6	114	29	80	0.5	10	924	93	10	14	340
	12															916.8	77	12	16.7		
9	023.40.1250	1426	1074	160	1374	1126	40	26	1215	1214	5	150	39	90	0.5	12	1012.8	85	13.5	18.8	580
	14															1013.6	73	15.8	21.9		
10	023.40.1400	1576	1224	160	1524	1272	40	26	1365	1364	5	150	39	90	0.5	12	1156.8	97	13.5	18.8	650
	14															1153.6	83	15.8	21.9		
11	023.40.1600	1776	1424	160	1724	1476	45	26	1565	1564	5	150	39	90	0.5	14	1349.6	97	15.8	21.9	750
	16															1350.4	85	18.1	25		
12	023.40.1800	1976	1624	160	1924	1676	45	26	1765	1764	5	150	39	90	0.5	14	1545.6	111	15.8	21.9	820
	16															1542.4	97	18.1	25		
13	023.50.2000	2215	1785	190	2149	1851	48	33	1965	1962	8	178	47	120	0.5	16	1702.4	107	24.1	33.3	1150
	18															1699.2	95	27.1	37.5		
14	023.50.2240	2455	2025	190	2389	2091	48	33	2206	2202	8	178	47	120	0.5	16	1942.4	122	24.1	33.3	1500
	18															1933.2	108	27.1	37.5		
15	023.50.2500	2715	2285	190	2649	2351	56	33	2465	2462	8	178	47	120	0.5	18	2203.2	123	27.1	37.5	1700
	20															2188	110	30.1	41.8		
16	023.50.2800	3015	2585	190	2949	2651	56	33	2765	2762	8	178	47	120	0.5	18	2491.2	139	27.1	37.5	1900
	20															2488	125	30.1	41.8		
17	023.60.3150	3428	2872	226	3338	2962	56	45	3104	3102	8	214	56	150	0.5	20	2768	139	37.7	52.2	3300
	22															2758.8	126	41.5	57.4		
18	023.60.3550	3828	3272	226	3738	3362	56	45	3504	3502	8	214	56	150	0.5	20	3168	159	37.7	52.2	3700
	22															3176.8	145	41.5	57.4		
19	023.60.4000	4278	3722	226	4188	3812	60	45	3954	3952	10	214	56	150	0.5	22	3616.8	165	41.5	57.4	4200
	25															3610	145	47.1	65.2		
20	023.60.4500	4778	4222	226	4688	4312	60	45	4454	4452	10	214	56	150	0.5	22	4122.8	188	41.5	57.4	4700
	25															4110	165	47.1	65.2		

Double Row different Ball Series Load Curve



Double Row different Ball Series Load Curve



7.Three Row Roller Slewing Bearing

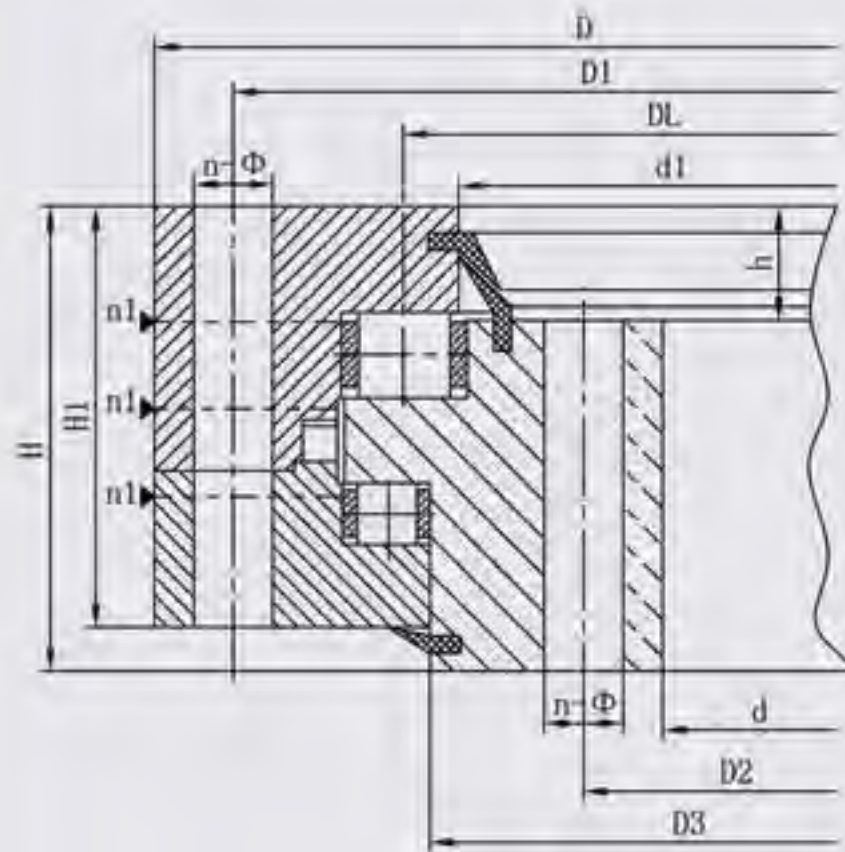
Characteristic of structure, performance and application

The three row roller slewing bearing has three seat rings, which separate the upper, lower and radial raceways, it made each row of the roller's load capacity can be specified and can bear different loads simultaneously. The capacity load is the largest one compare with the other three models. Due to the large size in axial and radial dimension & the solid structure, it is specially suitable for the heavy duty machinery such as wheeled excavator, wheeled crane, ship crane, ladle turrets and the heavy duty mobile crane etc.

Note:

1. n1 is the nos of lubricating holes.Oil cup M10×1JB/T7940.1~JB/T7940.2.The Oil nipple's location can be change according to the user's application.
2. n-φcan change to tapped hole,the diameter of tapped hole is M,depth is 2M.
3. The tangential tooth force in the form is the max tooth force,the nominal tangential tooth force is 1/2 of the max one.
4. "K" is addendum reduction coefficient.

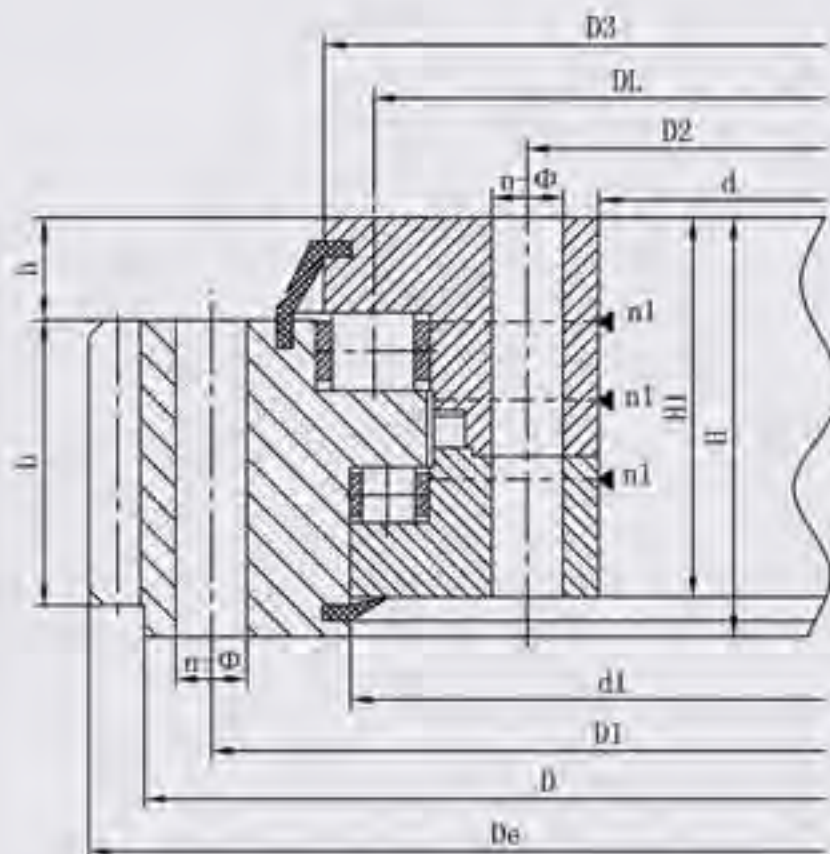
① Ungear (130 Series)



130

No.	Non gear D L mm	Dimensions			Mounting Dimensions				Structural Dimension				Gear data				Tooth force		weight kg					
		D mm	d mm	H mm	D 1 mm	D 2 mm	n	Ø mm	dm mm	L mm	D3 mm	d1 mm	n 1	H 1 mm	h mm	b mm	x	m mm		D e mm	z	Norma lizing Z10 ⁴ N	Quenc hing T10 ⁴ N	
1	130.25.500	634	366	148	598	402	24	18	M16	32	474	463	4	10	32									224
2	130.25.560	694	426	148	658	462	24	18	M16	32	534	523	4	10	32									240
3	130.25.630	764	496	148	728	532	28	18	M16	32	604	593	4	10	32									270
4	130.25.710	844	576	148	808	612	28	18	M16	32	684	673	4	10	32									300
5	130.32.800	964	636	182	920	680	36	22	M20	40	770	759	4	10	40									500
6	130.32.900	1064	736	182	1020	780	36	22	M20	40	870	859	4	10	40									600
7	130.32.1000	1164	836	182	1120	880	40	22	M20	40	970	959	5	10	40									680
8	130.32.1120	1284	956	182	1240	1000	40	22	M20	40	1090	1079	5	10	40									820
9	130.40.1250	1445	1055	220	1393	1107	45	26	M24	48	1213	1200	5	10	50									1200
10	130.40.1400	1595	1205	220	1543	1257	45	26	M24	48	1363	1350	5	10	50									1300
11	130.40.1600	1795	1405	220	1743	1457	48	26	M24	48	1563	1550	6	10	50									1520
12	130.40.1800	1995	1605	220	1943	1657	48	26	M24	48	1763	1750	6	10	50									1750
13	130.45.2000	2221	1779	231	2155	1845	60	33	M30	60	1967	1945	6	12	54									2400
14	130.45.2240	2461	2019	231	2395	2085	60	33	M30	60	2207	2185	6	12	54									2700
15	130.45.2500	2721	2279	231	2655	2345	72	33	M30	60	2467	2445	8	12	54									3000
16	130.45.2800	3021	2579	231	2955	2645	72	33	M30	60	2767	2745	8	12	54									3400
17	130.50.3150	3432	2868	270	3342	2958	72	45	M42	84	3104	3090	8	12	65									5000
18	130.50.3550	3832	3268	270	3742	3358	72	45	M42	84	3504	3490	8	258	65									5680
19	130.50.4000	4282	3718	270	4192	3808	80	45	M42	84	3954	3940	8	258	65									6470
20	130.50.4500	4782	4218	270	4692	4308	80	45	M42	84	4454	4440	8	258	65									7320

② External Gear (131/132 Series)



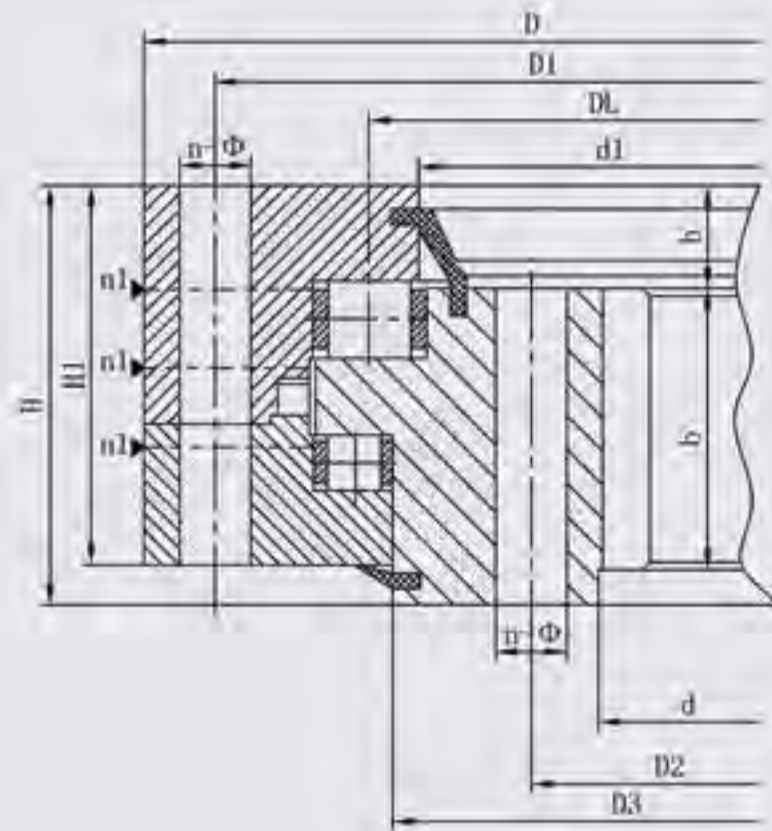
131, 132

Note:

1. n1 is the nos of lubricating holes. Oil cup M10×1JB/T7940.1~JB/T7940.2. The Oil nipple's location can be change according to the user's application.
2. n-φ can change to tapped hole, the diameter of tapped hole is M, depth is 2M.
3. The tangential tooth force in the form is the max tooth force, the nominal tangential tooth force is 1/2 of the max one.
4. "K" is addendum reduction coefficient.

No.	External gear D L mm	Dimensions			Mounting Dimensions					Structural Dimension					Gear data				Tooth force		weight kg		
		D mm	d mm	H mm	D 1 mm	D 2 mm	n	∅ mm	dm mm	L mm	D3 mm	d1 mm	n 1	H 1 mm	h mm	b mm	x	m mm	De mm	z		Normalizing Z10 ⁴ N	Quenching T10 ⁴ N
1	131.25.500	634	366	148	598	402	24	18	M16	32	537	526	4	138	32	80	0.5	5	664	130	5	6.7	224
	6																	664.8	108	6	8		
2	131.25.560	694	426	148	658	462	24	18	M16	32	597	586	4	138	32	80	0.5	5	724	142	5	6.7	240
	6																	724.8	118	6	8		
3	131.25.630	764	496	148	728	532	28	18	M16	32	667	656	4	138	32	80	0.5	6	808.8	132	6	8	270
	8																	806.4	98	8	11		
4	131.25.710	844	576	148	808	612	28	18	M16	32	747	736	4	138	32	80	0.5	6	886.8	145	6	8	300
	8																	886.4	108	8	11		
5	131.32.800	964	636	182	920	680	36	22	M20	40	841	830	4	172	40	120	0.5	8	1006.4	123	12.1	16.7	500
	10																	1008	98	15.1	20.9		
6	131.32.900	1064	736	182	1020	780	36	22	M20	40	941	930	4	172	40	120	0.5	8	1102.4	135	12.1	16.7	600
	10																	1108	108	15.1	20.9		
7	131.32.1000	1164	836	182	1120	880	40	22	M20	40	1041	1030	5	172	40	120	0.5	10	1218	119	15.1	20.9	680
	12																	1221.6	99	18.1	25.1		
8	131.32.1120	1284	956	182	1240	1000	40	22	M20	40	1161	1150	5	172	40	120	0.5	10	1338	131	15.1	20.9	820
	12																	1341.6	109	18.1	25.1		
9	131.40.1250	1445	1055	220	1393	1107	45	26	M24	48	1300	1287	5	210	50	150	0.5	12	1509.6	123	22.9	31.4	1200
	14																	1509.2	105	26.3	36.6		
10	131.40.1400	1595	1205	220	1543	1257	45	26	M24	48	1450	1437	5	210	50	150	0.5	12	1665.6	136	22.9	31.4	1300
	14																	1663.2	116	26.3	36.6		
11	131.40.1600	1795	1405	220	1743	1457	48	26	M24	48	1650	1637	6	210	50	150	0.5	14	1873.2	131	26.3	36.6	1520
	16																	1868.8	114	30.2	41.7		
12	131.40.1800	1995	1605	220	1943	1657	48	26	M24	48	1850	1837	6	210	50	150	0.5	14	2069.2	145	26.3	36.6	1750
	16																	2076.8	127	30.2	41.7		
13	131.45.2000	2221	1779	231	2155	1845	60	33	M30	60	2055	2033	6	219	54	160	0.5	16	2300.8	141	32.2	44.5	2400
	18																	2300.4	125	36.2	50.1		
14	131.45.2240	2461	2019	231	2395	2085	60	33	M30	60	2295	2273	6	219	54	160	0.5	16	2556.8	157	32.2	44.5	2700
	18																	2552.4	139	36.2	50.1		
15	131.45.2500	2721	2279	231	2655	2345	72	33	M30	60	2555	2533	8	219	54	160	0.5	18	2822.4	154	36.2	50.1	3000
	20																	2816	138	40.2	55.6		
16	131.45.2800	3021	2579	231	2955	2645	72	33	M30	60	2855	2833	8	219	54	160	0.5	18	3110.4	170	36.2	50.1	3400
	20																	3116	153	40.2	55.6		
17	131.50.3150	3432	2868	270	3342	2958	72	45	M42	84	3213	3196	8	258	65	180	0.5	20	3536	174	45.2	62.6	5000
	22																	3537.6	158	49.8	68.9		
18	131.50.3550	3832	3268	270	3742	3358	72	45	M42	84	3613	3596	8	258	65	180	0.5	20	3936	194	45.2	62.6	5680
	22																	3933.6	176	49.8	68.9		
19	131.50.4000	4282	3718	270	4192	3808	80	45	M42	84	4063	4046	8	258	65	180	0.5	22	4395.6	197	49.8	68.9	6470
	25																	4395	173	56.5	78.3		
20	131.50.4500	4782	4218	270	4692	4308	80	45	M42	84	4563	4546	8	258	65	180	0.5	22	4901.6	220	49.8	68.9	7320
	25																	4895	193	56.5	78.3		

③ Internal Gear (133/134 Series)



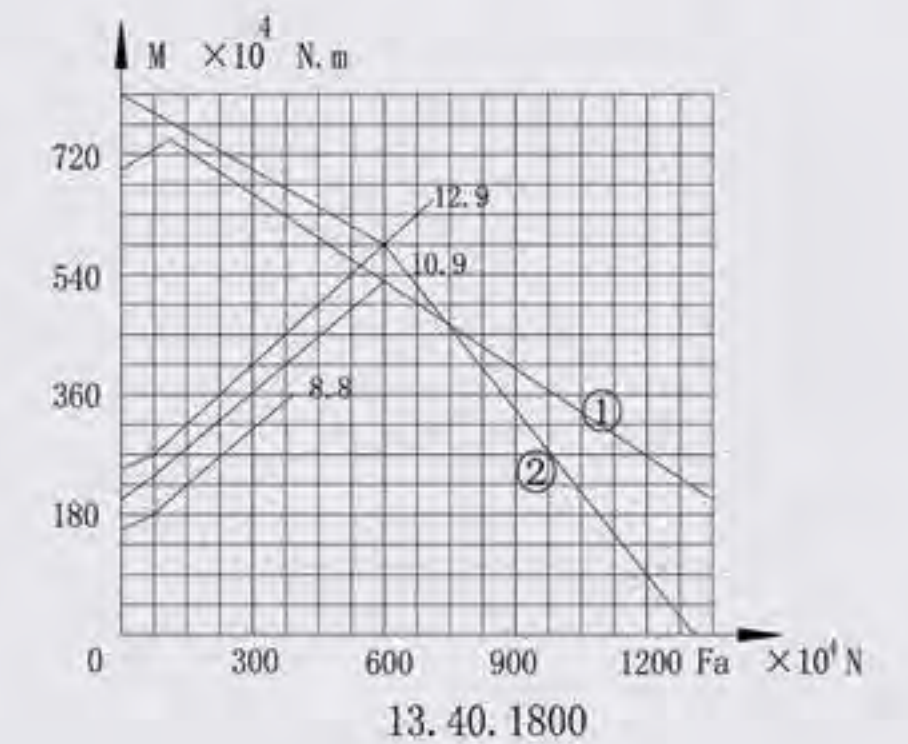
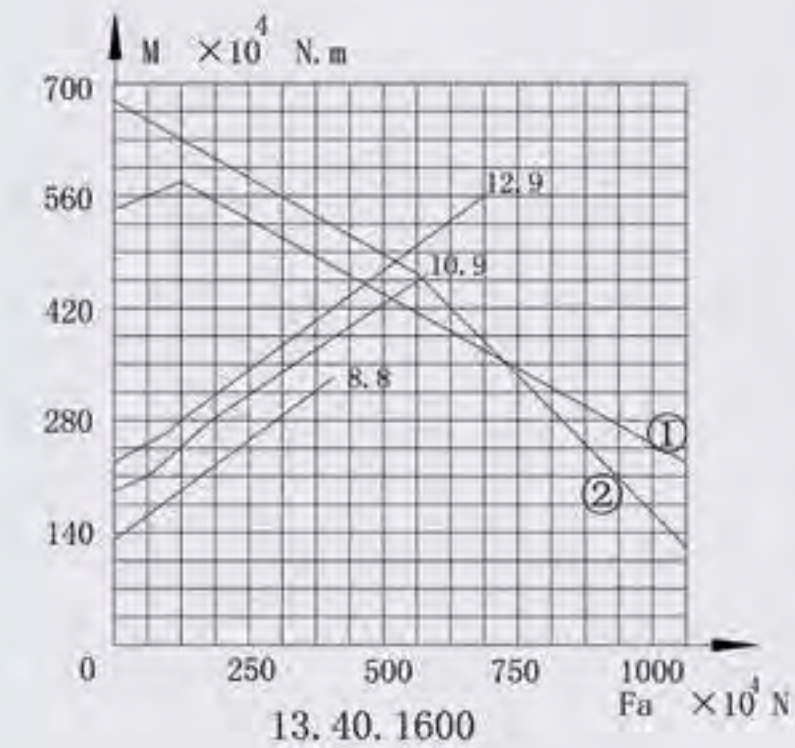
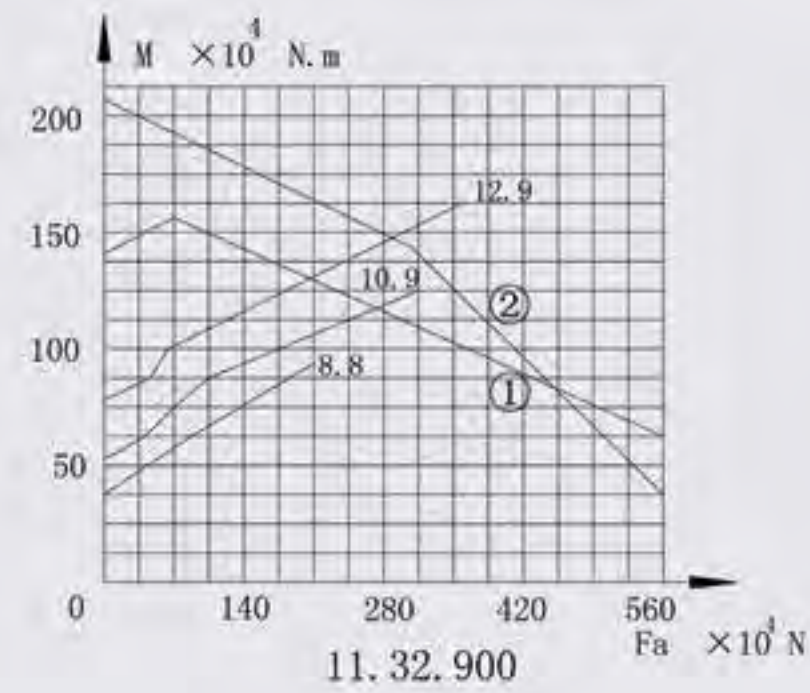
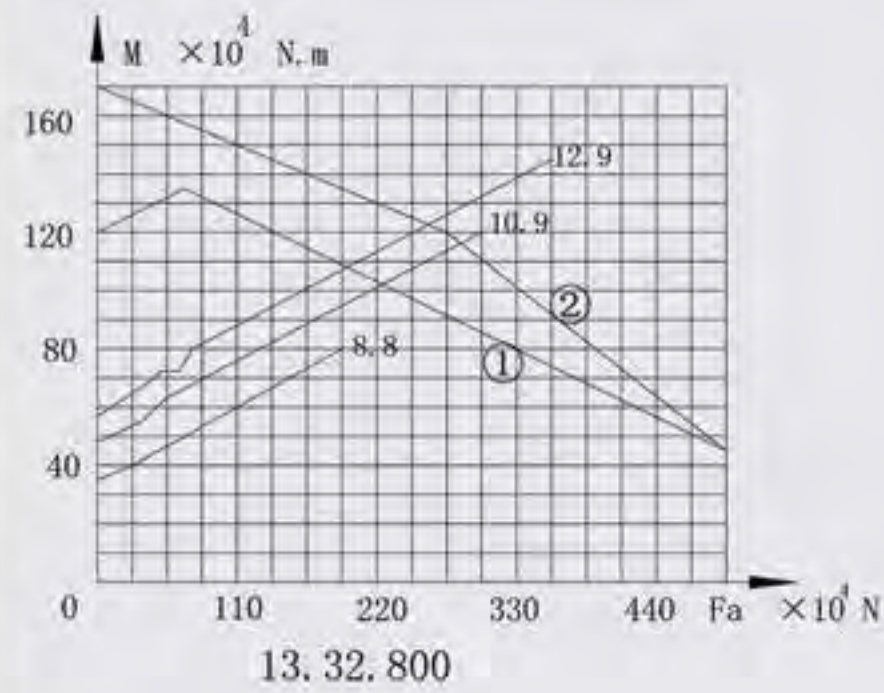
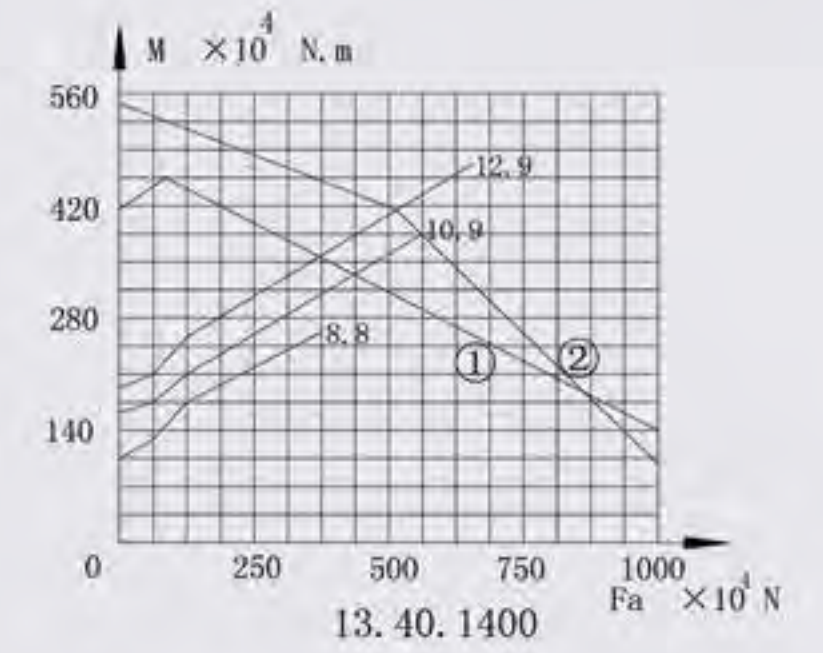
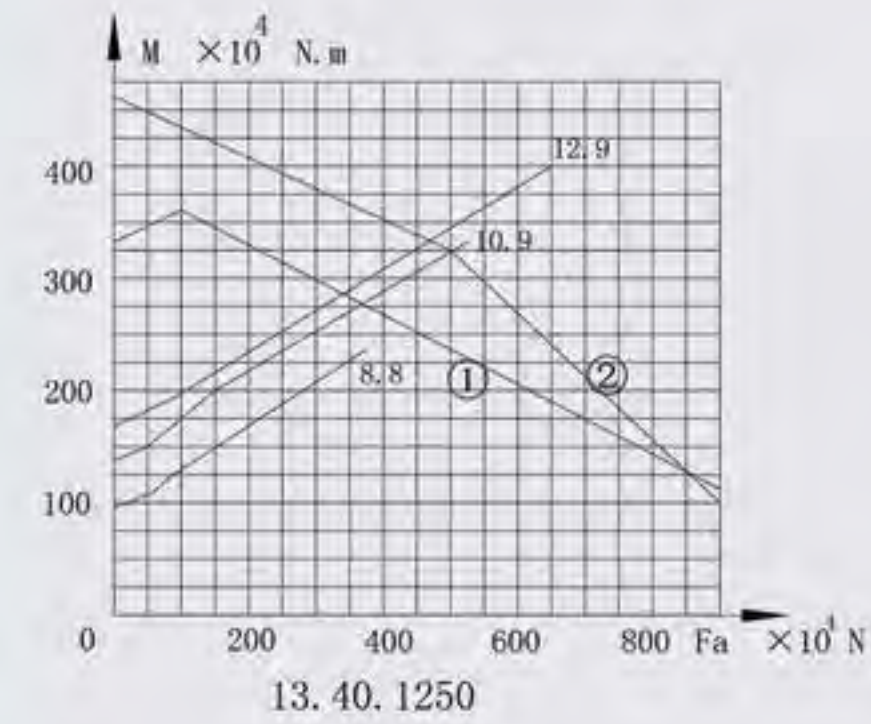
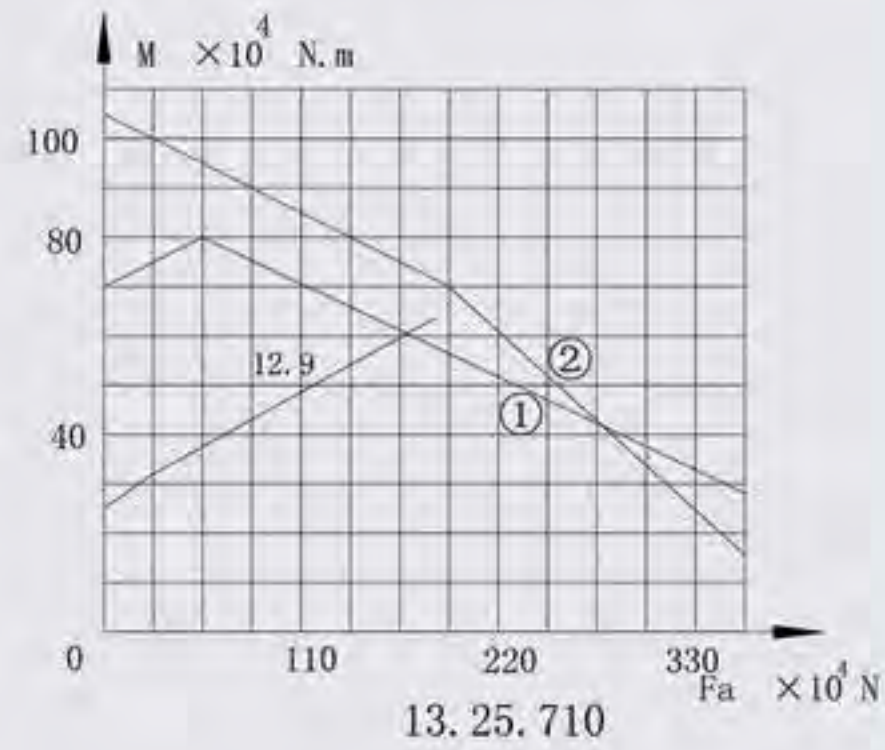
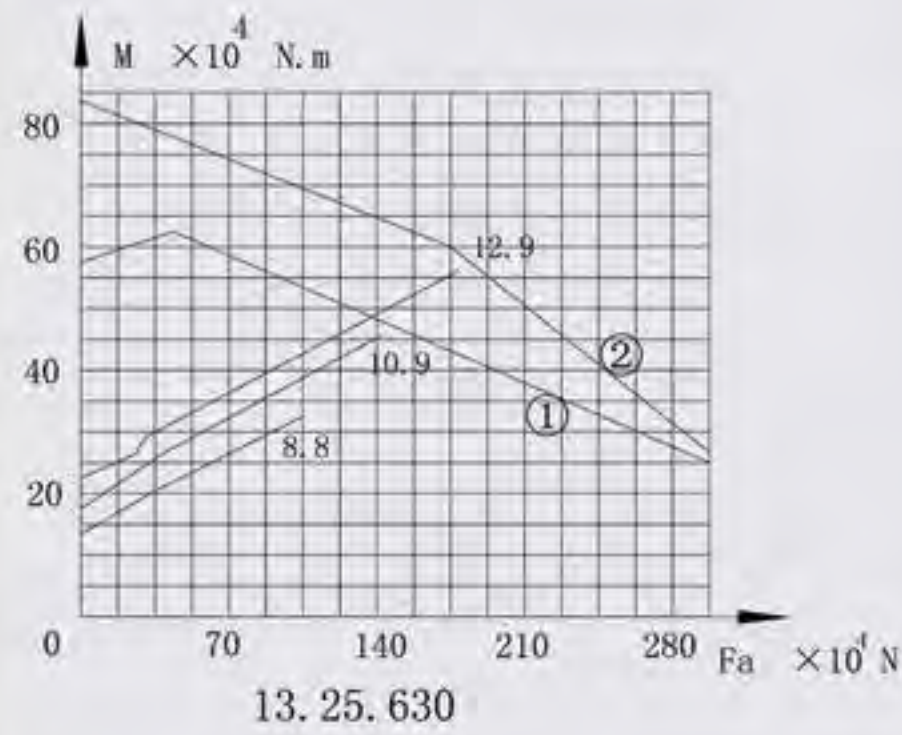
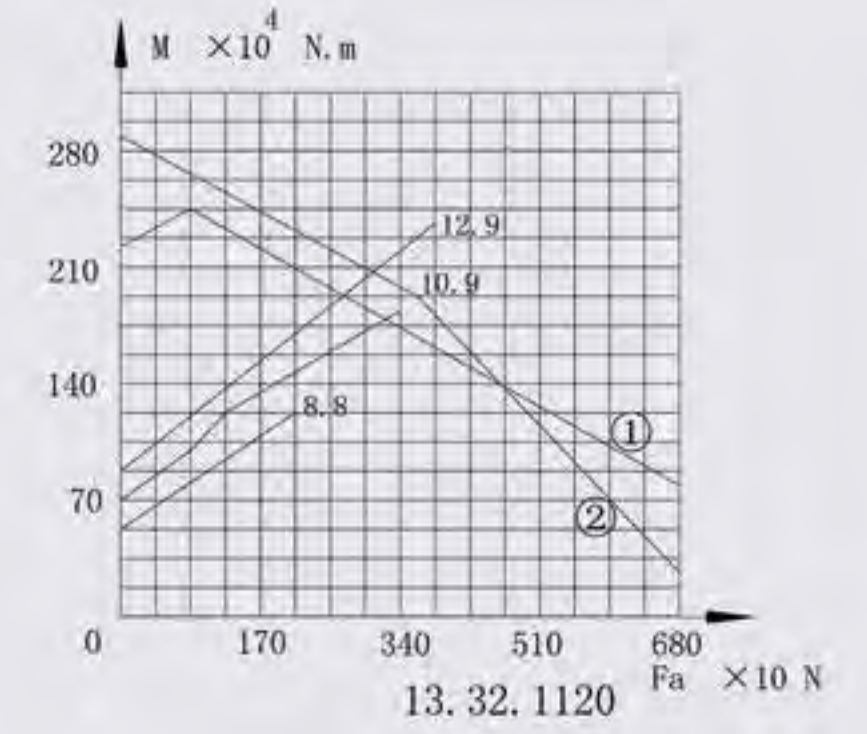
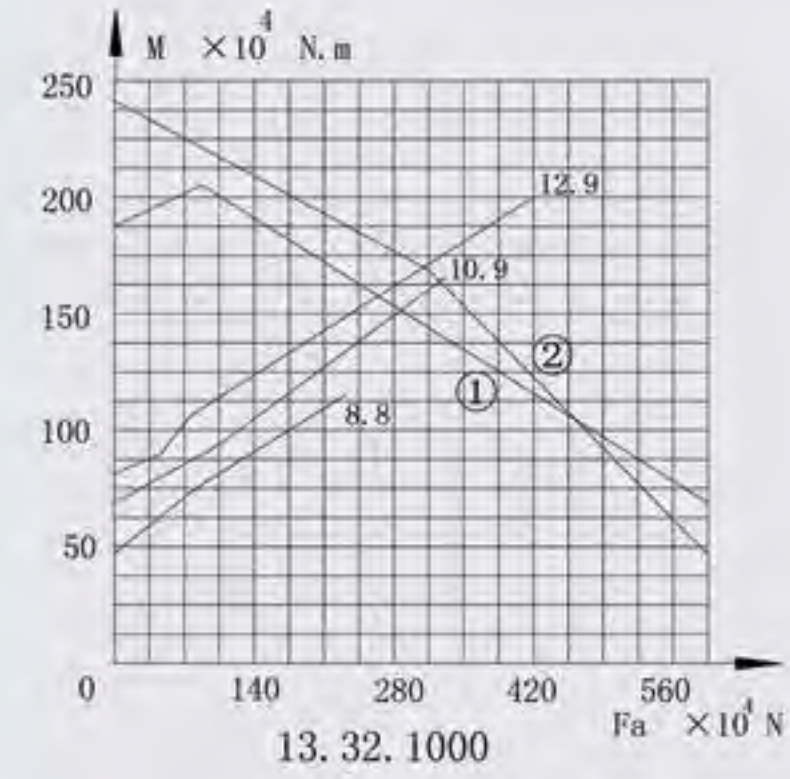
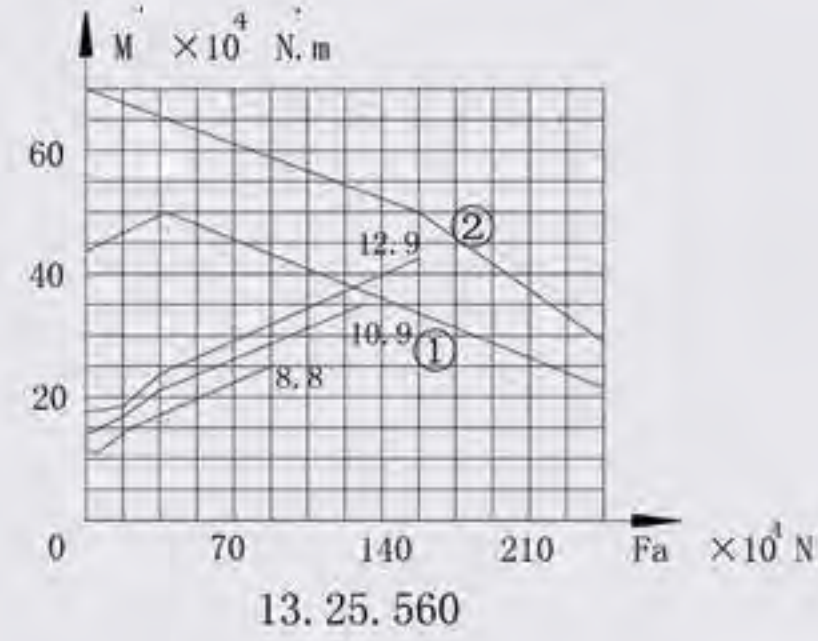
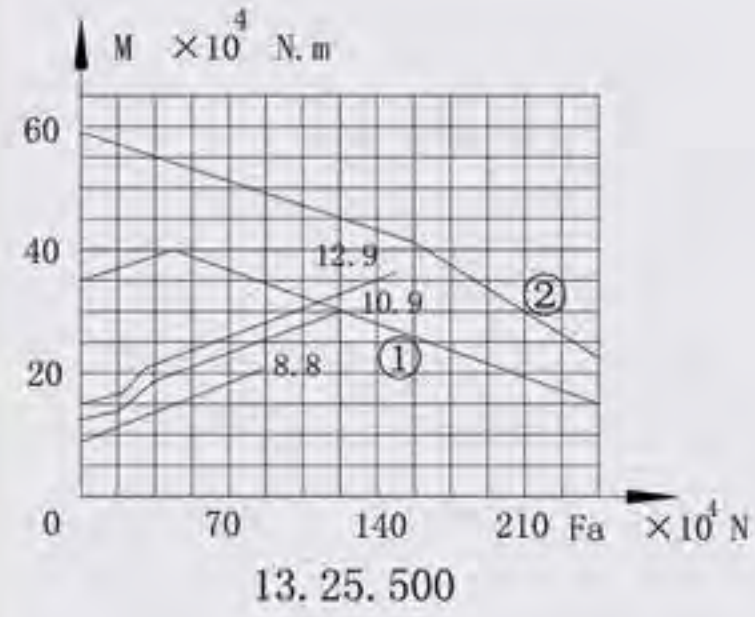
133. 134

Note:

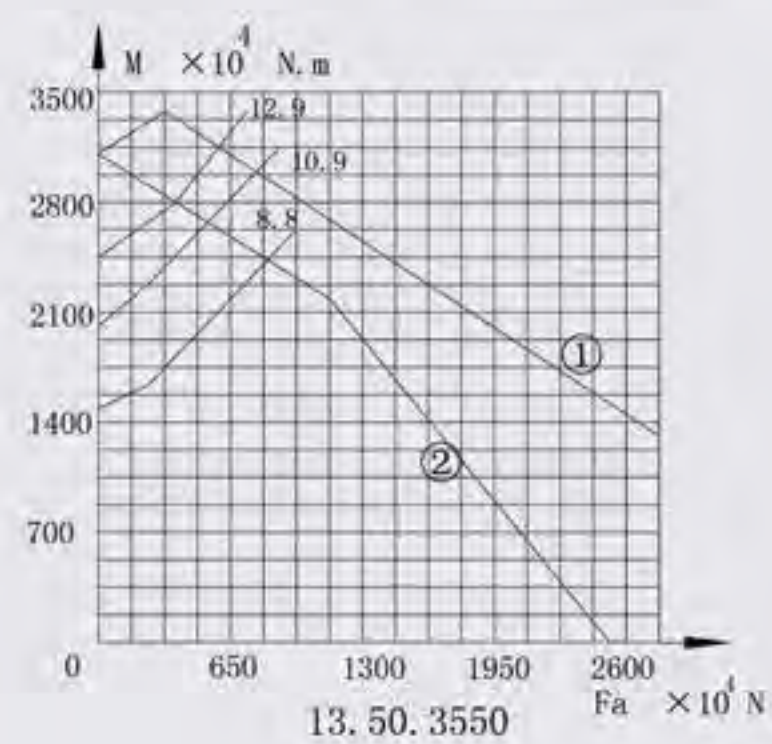
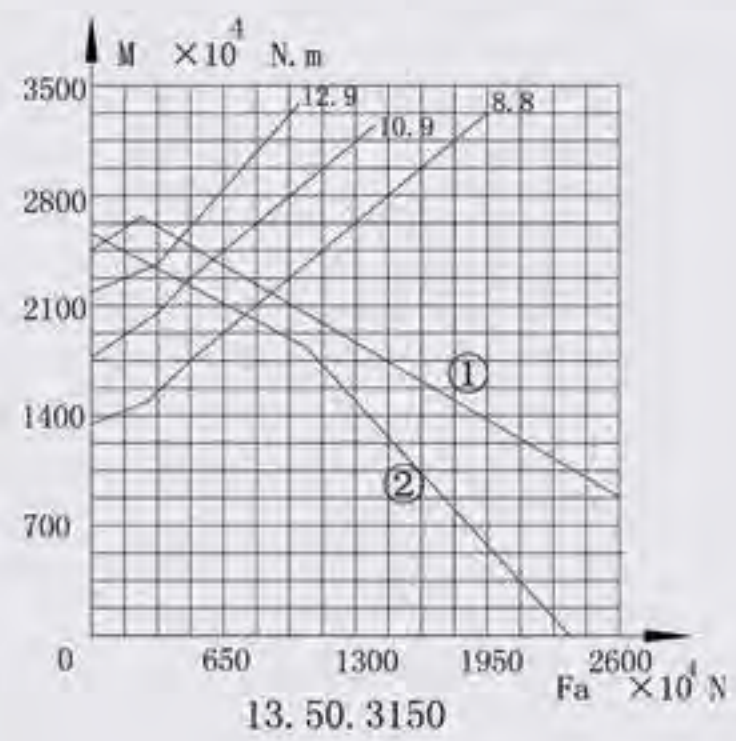
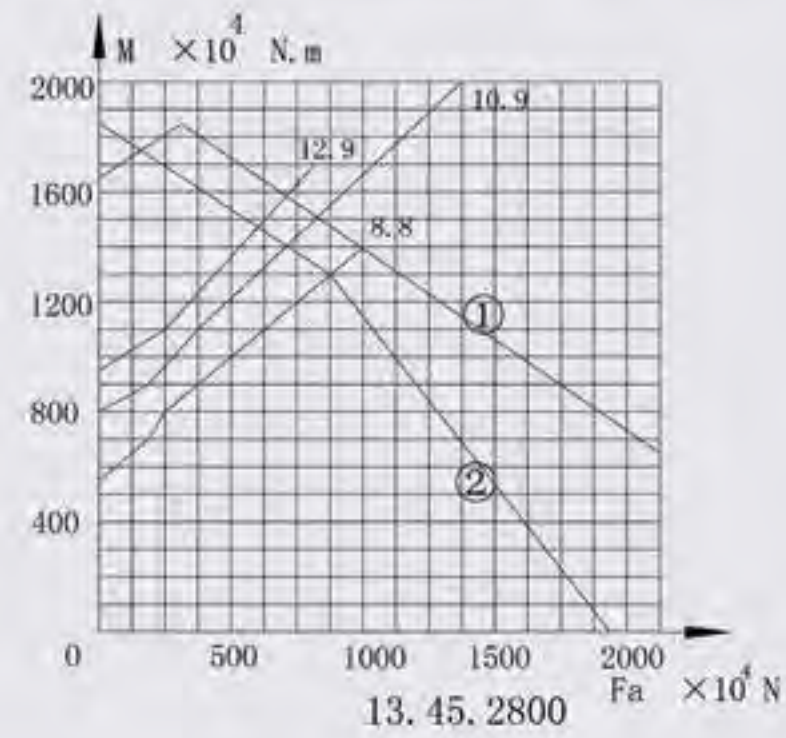
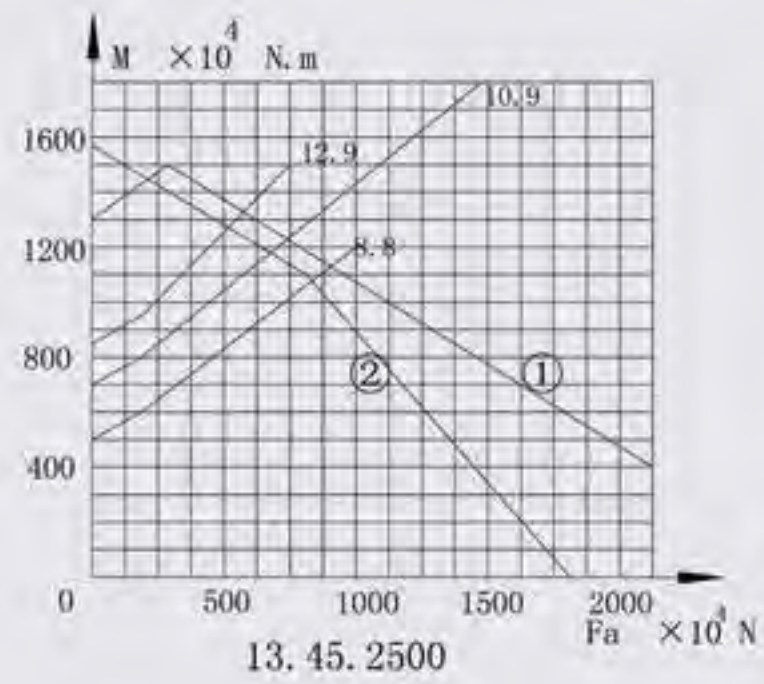
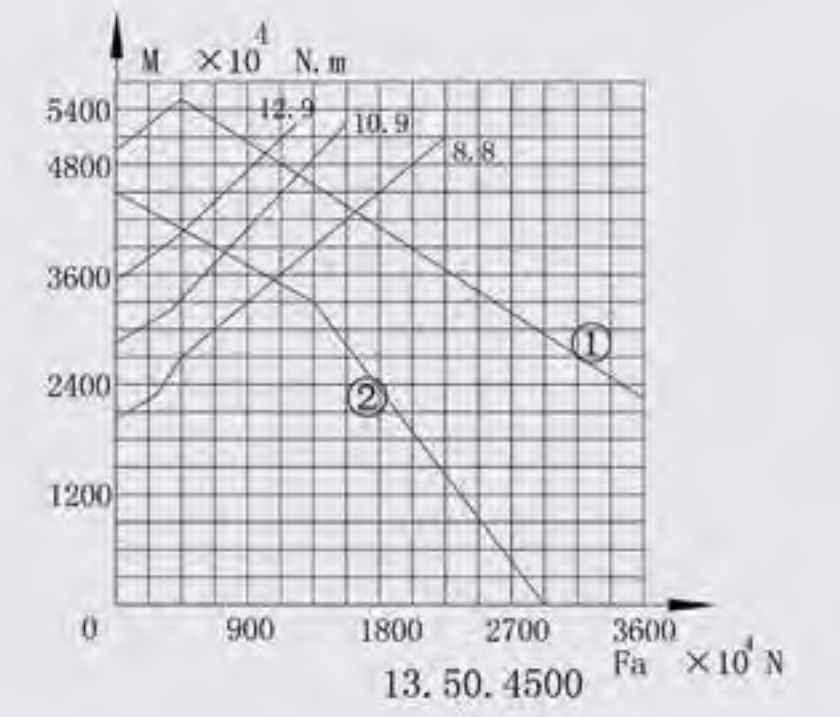
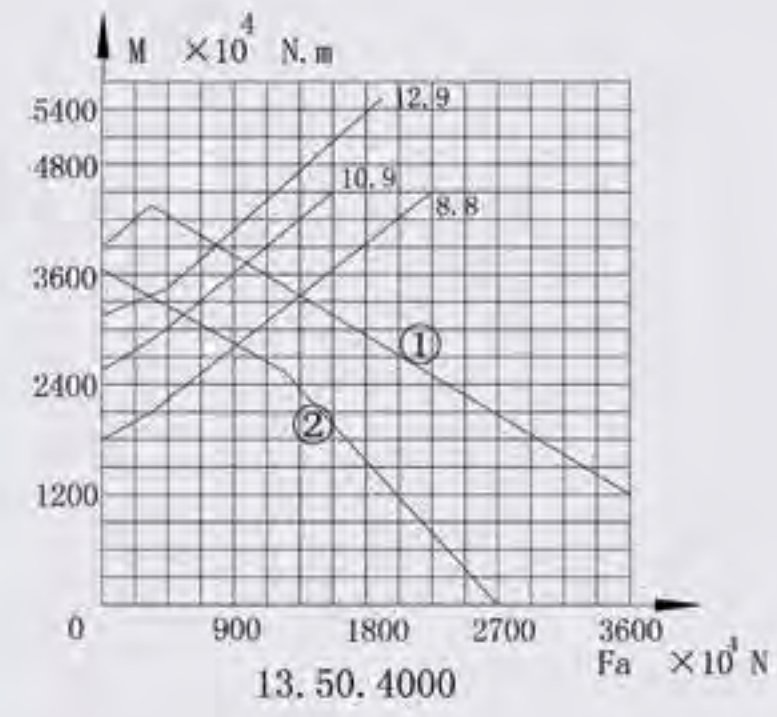
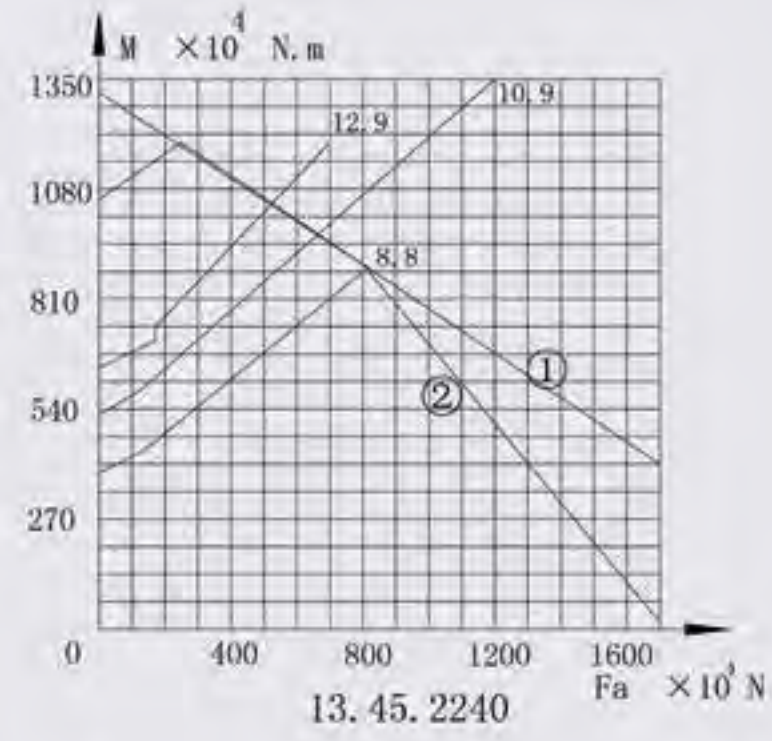
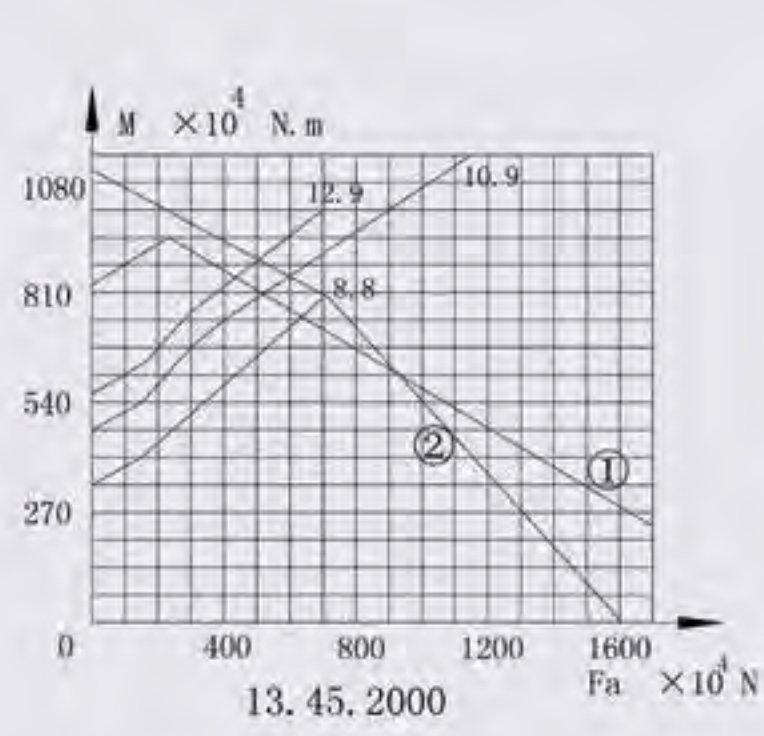
1. n1 is the nos of lubricating holes.Oil cup M10×1JB/T7940.1~JB/T7940.2.The Oil nipple's location can be change according to the user's application.
2. n-φ can change to tapped hole,the diameter of tapped hole is M,depth is 2M.
3. The tangential tooth force in the form is the max tooth force,the nominal tangential tooth force is 1/2 of the max one.
4. "k" is addendum reduction coefficient.

No.	Internal gear D L mm	Dimensions			Mounting Dimensions					Structural Dimension					Gear data				Tooth force		weight kg		
		D mm	d mm	H mm	D 1 mm	D 2 mm	n	∅ mm	dm mm	L mm	D3 mm	d1 mm	n 1	H 1 mm	h mm	b mm	x	m mm	D e mm	z		Norma lizing Z10 ⁴ N	Quenc hing T10 ⁴ N
1	133.25.500	634	366	148	598	402	24	18	M16	32	474	463	4	10	32	80	0.5	5	337	68	5	6.7	224
	6																	338.4	57	6	8		
2	133.25.560	694	426	148	658	462	24	18	M16	32	534	523	4	10	32	80	0.5	5	397	80	5	6.7	240
	6																	398.4	67	6	8		
3	133.25.630	764	496	148	728	532	28	18	M16	32	604	593	4	10	32	80	0.5	6	458.4	77	6	8	270
	8																	459.2	58	8	11		
4	133.25.710	844	576	148	808	612	28	18	M16	32	684	673	4	10	32	80	0.5	6	536.4	90	6	8	300
	8																	539.2	68	8	11		
5	133.32.800	964	636	182	920	680	36	22	M20	40	770	759	4	10	40	120	0.5	8	595.2	75	12.1	16.7	500
	10																	594	60	15.1	20.9		
6	133.32.900	1064	736	182	1020	780	36	22	M20	40	870	859	4	10	40	120	0.5	8	691.2	87	12.1	16.7	600
	10																	694	70	15.1	20.9		
7	133.32.100	1164	836	182	1120	880	40	22	M20	40	970	959	5	10	40	120	0.5	10	784	79	15.1	20.9	680
	12																	784.8	66	18.1	25.1		
8	133.32.112	1284	956	182	1240	1000	40	22	M20	40	1090	1079	5	10	40	120	0.5	10	904	91	15.1	20.9	820
	12																	904.8	76	18.1	25.1		
9	133.40.125	1445	1055	220	1393	1107	45	26	M24	48	1213	1200	5	10	50	150	0.5	12	988.8	83	22.9	31.4	1200
	14																	985.6	71	26.3	36.6		
10	133.40.140	1595	1205	220	1543	1257	45	26	M24	48	1363	1350	5	10	50	150	0.5	12	1145	96	22.9	31.4	1300
	14																	1140	82	26.3	36.6		
11	133.40.160	1795	1405	220	1743	1457	48	26	M24	48	1563	1550	6	10	50	150	0.5	14	1336	96	26.3	36.6	1520
	16																	1334	84	30.2	41.7		
12	133.40.180	1995	1605	220	1943	1657	48	26	M24	48	1763	1750	6	10	50	150	0.5	14	1532	110	26.3	36.6	1750
	16																	1526	96	30.2	41.7		
13	133.45.200	2221	1779	231	2155	1845	60	33	M30	60	1967	1945	6	12	54	160	0.5	16	1702	107	32.2	44.5	2400
	18																	1699	95	36.2	50.1		
14	133.45.224	2461	2019	231	2395	2085	60	33	M30	60	2207	2185	6	12	54	160	0.5	16	1926	121	32.2	44.5	2700
	18																	1933	108	36.2	50.1		
15	133.45.250	2721	2279	231	2655	2345	72	33	M30	60	2467	2445	8	12	54	160	0.5	18	2185	122	36.2	50.1	3000
	20																	2188	110	40.2	55.6		
16	133.45.280	3021	2579	231	2955	2645	72	33	M30	60	2767	2745	8	12	54	160	0.5	18	2491	139	36.2	50.1	3400
	20																	2488	125	40.2	55.6		
17	133.50.315	3432	2868	270	3342	2958	72	45	M42	84	3104	3090	8	12	65	180	0.5	20	2768	139	45.2	62.6	5000
	22																	2759	126	49.8	68.9		
18	131.50.355	3832	3268	270	3742	3358	72	45	M42	84	3504	3490	8	258	65	180	0.5	20	3168	159	45.2	62.6	5680
	22																	3155	144	49.8	68.9		
19	131.50.400	4282	3718	270	4192	3808	80	45	M42	84	3954	3940	8	258	65	180	0.5	22	3117	165	49.8	68.9	6470
	25																	3610	145	56.5	78.3		
20	131.50.450	4782	4218	270	4692	4308	80	45	M42	84	4454	4440	8	258	65	180	0.5	22	4123	188	49.8	68.9	7320
	25																	4110	165	56.5	78.3		

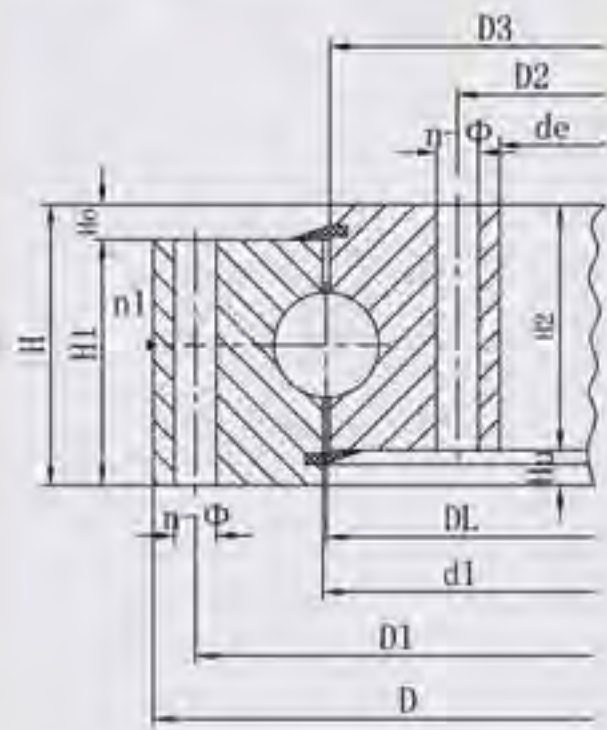
Three Row Roller Series Load Curve



Three Row Roller Series Load Curve



8.Thin Section Slewing Bearing (Light Type)

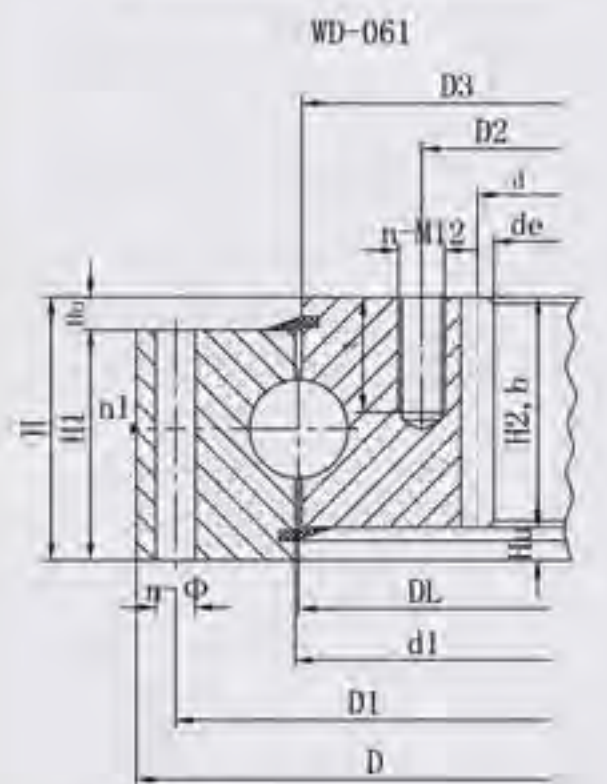
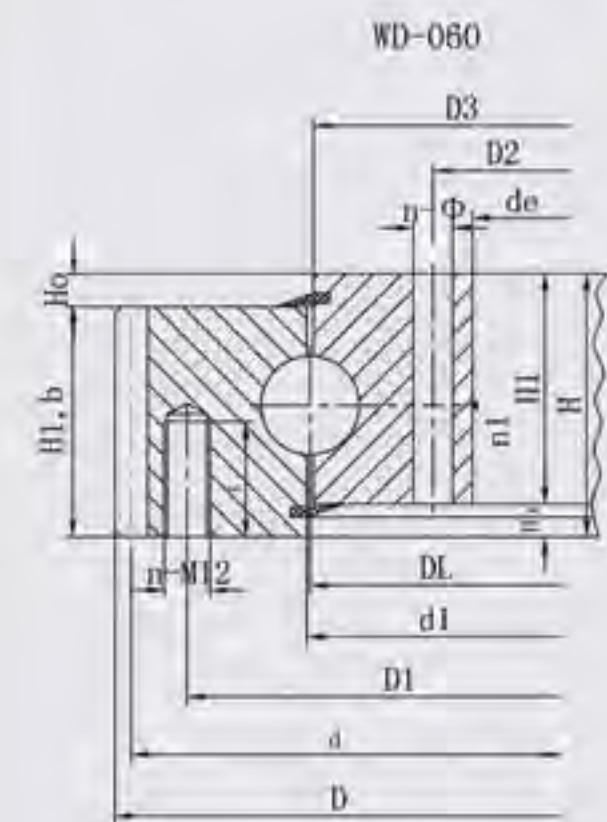


Characteristic of structure, performance and application

The Thin Section Slewing Bearing has the same structure with the ordinary slewing bearing, but the weight is light, and rotate flexibly, which widely used in the food machinery, canning machinery and environmental machinery etc.

Note:

1. n1 is the nos of lubricating holes. Oil cup M8×1JB/T7940.1~JB/T7940.2. The Oil nipple's location can be change according to the user's application.
4. "Km" is addendum reduction.



① Ungeared (060 Series)

Model DL	Wght kg	Dimensions			Mounting Dimensions						Structural Dimension						Gear data					Tooth force Allowed [KN]	Tooth force Max [KN]	Cleara nce Axial	Clearan ce Radial					
		D	de	H	D1	D2	n	Φ	M	t	D3	d1	H1	H2	Hu	Ho	d	m	z	k.m	b									
DL	kg	mm			mm						mm													mm						
WD-060.20.0414	29	486	342	56	460	368	24	13.5	12	20	412.5	415.5	45.5	45.5	10.5	10.5													≤0.28	≤0.24
WD-060.20.0544	37	616	472	56	590	498	32	13.5	12	20	542.5	545.5	45.5	45.5	10.5	10.5												≤0.30	≤0.26	
WD-060.20.0644	44	716	572	56	690	598	36	13.5	12	20	642.5	645.5	45.5	45.5	10.5	10.5												≤0.30	≤0.26	
WD-060.20.0744	52	816	672	56	790	698	40	13.5	12	20	742.5	745.5	45.5	45.5	10.5	10.5												≤0.30	≤0.26	
WD-060.20.0844	60	916	772	56	890	798	40	13.5	12	20	842.5	845.5	45.5	45.5	10.5	10.5												≤0.30	≤0.26	
WD-060.20.0944	67	1016	872	56	990	898	44	13.5	12	20	942.5	945.5	45.5	45.5	10.5	10.5												≤0.30	≤0.26	
WD-060.20.1094	77	1166	1022	56	1140	1048	48	13.5	12	20	1092.5	1095.5	45.5	45.5	10.5	10.5												≤0.30	≤0.26	

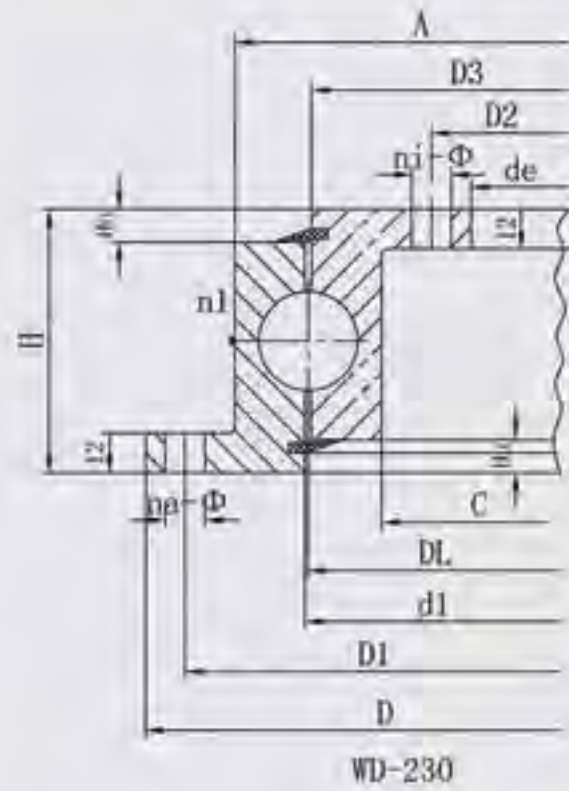
② External Gear (061 Series)

WD-061.20.0414	31	504	342	56	455	368	20/24	13.5	12	20	412.5	415.5	45.5	45.5	10.5	10.5	495	5	99	-0.5	45.5	11.75	23.5	≤0.28	≤0.24
WD-061.20.0544	43	640.8	472	56	585	498	28/32	13.5	12	20	542.5	545.5	45.5	45.5	10.5	10.5	630	6	105	-0.6	45.5	14.2	28.4	≤0.30	≤0.26
WD-061.20.0644	52	742.8	572	56	685	598	32/36	13.5	12	20	642.5	645.5	45.5	45.5	10.5	10.5	732	6	122	-0.6	45.5	14.2	28.4	≤0.30	≤0.26
WD-061.20.0744	59	838.8	672	56	785	698	36/40	13.5	12	20	742.5	745.5	45.5	45.5	10.5	10.5	828	6	138	-0.6	45.5	14.2	28.4	≤0.30	≤0.26
WD-061.20.0844	71	950.4	772	56	885	798	36/40	13.5	12	20	842.5	845.5	45.5	45.5	10.5	10.5	936	8	117	-0.8	45.5	18.93	37.86	≤0.30	≤0.26
WD-061.20.0944	77	1046.4	872	56	985	898	40/44	13.5	12	20	942.5	945.5	45.5	45.5	10.5	10.5	1032	8	129	-0.8	45.5	18.93	37.86	≤0.30	≤0.26
WD-061.20.1094	91	1198.4	1022	56	1135	1048	44/48	13.5	12	20	1092.5	1095.1	45.5	45.5	10.5	10.5	1184	8	148	-0.8	45.5	18.93	37.86	≤0.30	≤0.26

③ Internal Gear (062 Series)

WD-062.20.0414	31	486	326.5	56	460	375	24	13.5	12	20	415.5	412.5	45.5	45.5	10.5	10.5	335	5	67	-0.8	45.5	13.54	27.08	≤0.28	≤0.24
WD-062.20.0544	42	616	445.2	56	590	505	32	13.5	12	20	545.5	542.5	45.5	45.5	10.5	10.5	456	6	76	-0.6	45.5	16.00	32.00	≤0.30	≤0.26
WD-062.20.0644	50	716	547.2	56	690	605	36	13.5	12	20	645.5	642.5	45.5	45.5	10.5	10.5	558	6	93	-0.6	45.5	15.62	31.24	≤0.30	≤0.26
WD-062.20.0744	58	816	649.2	56	790	705	40	13.5	12	20	745.5	742.5	45.5	45.5	10.5	10.5	660	6	110	-0.6	45.5	15.32	30.64	≤0.30	≤0.26
WD-062.20.0844	69	916	737.6	56	890	805	40	13.5	12	20	845.5	842.5	45.5	45.5	10.5	10.5	752	8	94	-0.8	45.5	20.8	41.60	≤0.30	≤0.26
WD-062.20.0944	76	1016	841.6	56	990	905	44	13.5	12	20	945.5	942.5	45.5	45.5	10.5	10.5	856	8	107	-0.8	45.5	20.49	40.98	≤0.30	≤0.26
WD-062.20.1094	91	1166	985.6	56	1140	1055	48	13.5	12	20	1095.5	1092.5	45.5	45.5	10.5	10.5	1000	8	125	-0.8	45.5	20.16	40.32	≤0.30	≤0.26

9.Thin Section Slewing Bearing (Flange Type)

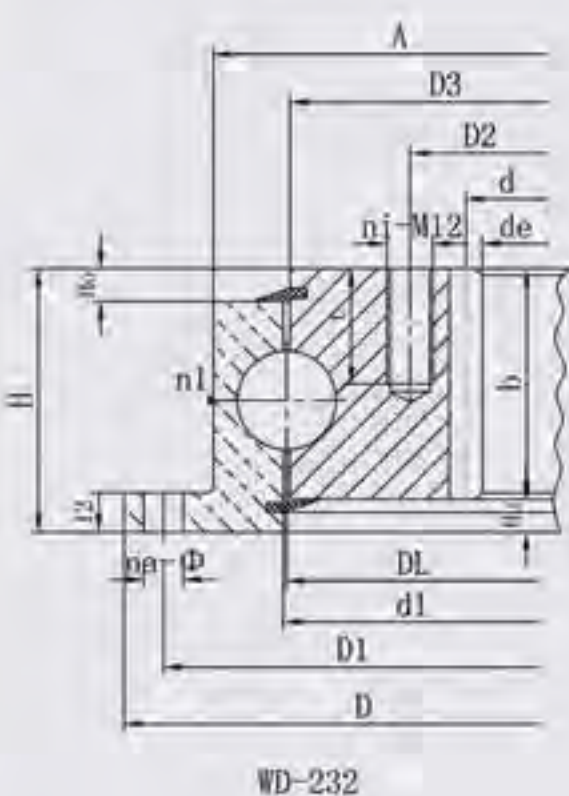
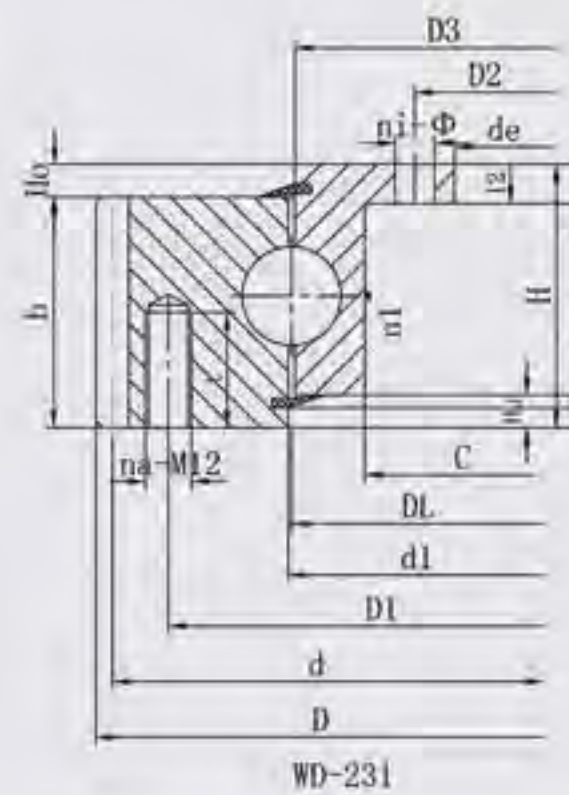


Characteristic of structure, performance and application

The Thin Section Slewing Bearing has the same structure with the ordinary slewing bearing, but the weight is light, and rotate flexibly, which widely used in the food machinery, canning machinery and environmental machinery etc.

Note:

1. n1 is the nos of lubricating holes. Oil cup M8×1JB/T7940.1~JB/T7940.2. The Oil nipple's location can be change according to the user's application.
4. "Km" is addendum reduction.



① Ung geared (230 Series)

Model DL	Wght kg	Dimensions			Mounting Dimensions						Structural Dimension						Gear data					Tooth force Allowed [KN]	Tooth force Max [KN]	Clear ance Axial	Cleara nce Radial									
		D	de	H	D1	D2	na	Φ/M	ni	Φ /M	t	n 1	D3	d1	A	C	Hu	Ho	d	m	z					b	k.m							
DL	kg	mm			mm						mm													mm										
WD-230.20.0414	23.0	518	304	56	490	332	16	18	24	18	20	4	412.5	415.5	453	375	10.5	10.5															≤0.5	≤0.5
WD-230.20.0544	30.4	648	434	56	620	462	20	18	28	18	20	4	542.5	545.5	583	505	10.5	10.5															≤0.5	≤0.5
WD-230.20.0644	35.8	748	534	56	720	562	24	18	32	18	20	4	642.5	645.5	683	605	10.5	10.5															≤0.5	≤0.5
WD-230.20.0744	42.2	848	634	56	820	662	24	18	32	18	20	4	742.5	745.5	783	705	10.5	10.5															≤0.5	≤0.5
WD-230.20.0844	47.1	948	734	56	920	762	28	18	36	18	20	4	842.5	845.5	883	805	10.5	10.5															≤0.5	≤0.5
WD-230.20.0944	52.3	1048	834	56	1020	862	32	18	40	18	20	4	942.5	945.5	983	905	10.5	10.5															≤0.5	≤0.5
WD-230.20.1094	61.1	1198	984	56	1170	1012	32	18	40	18	20	4	1092.5	1095.5	1133	1055	10.5	10.5															≤0.5	≤0.5

② External Gear (231 Series)

WD-231.20.0414	29.0	504	304	56	455	332	10	M12	24	18	20	4	412.5	415.5		375	10.5	10.5	495	5	99	45.5	-0.5	11.75	23.50	≤0.5	≤0.5
WD-231.20.0544	39.2	640.8	434	56	585	462	14	M12	28	18	20	4	542.5	545.5		505	10.5	10.5	630	6	105	45.5	-0.5	14.2	28.40	≤0.5	≤0.5
WD-231.20.0644	47.2	742.8	534	56	685	562	16	M12	32	18	20	4	642.5	645.5		605	10.5	10.5	732	6	122	45.5	-0.6	14.2	28.40	≤0.5	≤0.5
WD-231.20.0744	53.1	838.8	634	56	785	662	18	M12	32	18	20	4	742.5	745.5		705	10.5	10.5	828	6	138	45.5	-0.6	14.2	28.40	≤0.5	≤0.5
WD-231.20.0844	64.7	950.4	734	56	885	762	18	M12	36	18	20	4	842.5	845.5		805	10.5	10.5	936	8	117	45.5	-0.8	18.93	37.86	≤0.5	≤0.5
WD-231.20.0944	69.1	1046.4	834	56	985	862	20	M12	40	18	20	4	942.5	945.5		905	10.5	10.5	1032	8	129	45.5	-0.8	18.93	37.86	≤0.5	≤0.5
WD-231.20.1094	82.5	1198.4	984	56	1135	1012	22	M12	40	18	20	4	1092.5	1095.5		1055	10.5	10.5	1184	8	148	45.5	-0.8	18.93	37.86	≤0.5	≤0.5

③ Internal Gear (232 Series)

WD-232.20.0414	26.9	518	326.5	56	490	375	16	18	12	M12	20	4	412.5	415.5	453		10.5	10.5	335	5	67	45.5	-0.8	13.54	27.1	≤0.5	≤0.5
WD-232.20.0544	36.7	648	445.5	56	620	505	20	18	16	M12	20	4	542.5	545.5	583		10.5	10.5	456	6	76	45.5	-0.6	16.00	32.00	≤0.5	≤0.5
WD-232.20.0644	43.4	748	547.5	56	720	605	24	18	18	M12	20	4	642.5	645.5	683		10.5	10.5	558	6	93	45.5	-0.6	15.62	31.2	≤0.5	≤0.5
WD-232.20.0744	50.8	848	649.2	56	820	705	24	18	20	M12	20	4	742.5	745.5	783		10.5	10.5	660	6	110	45.5	-0.6	15.32	30.6	≤0.5	≤0.5
WD-232.20.0844	61.3	948	737.6	56	920	805	28	18	20	M12	20	4	842.5	845.5	883		10.5	10.5	752	8	94	45.5	-0.8	20.8	41.60	≤0.5	≤0.5
WD-232.20.0944	65.4	1048	841.6	56	1020	905	32	18	22	M12	20	4	942.5	945.5	983		10.5	10.5	856	8	107	45.5	-0.8	20.49	41	≤0.5	≤0.5
WD-232.20.1094	80.3	1198	985.6	56	1170	1055	32	18	24	M12	20	4	1092.5	1095.5	1133		10.5	10.5	1000	8	125	45.5	-0.8	20.16	40.3	≤0.5	≤0.5

Thin Section Slewing Bearing (Light Type) Series Load Curve

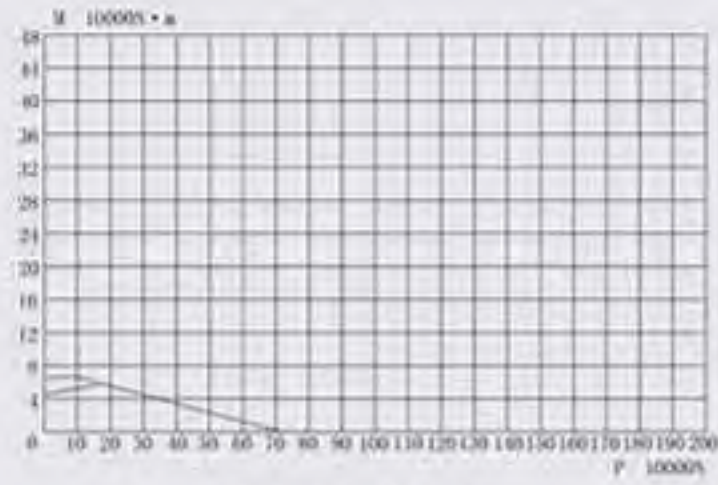


Fig. 1 WD-06.20.0414

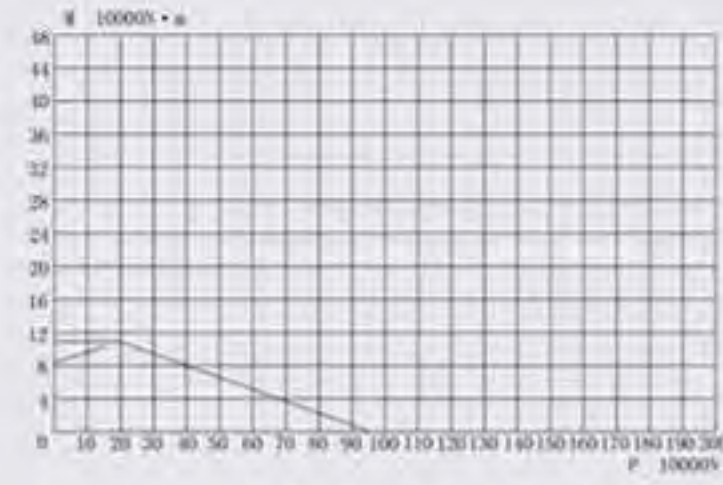


Fig. 2 WD-06.20.0544

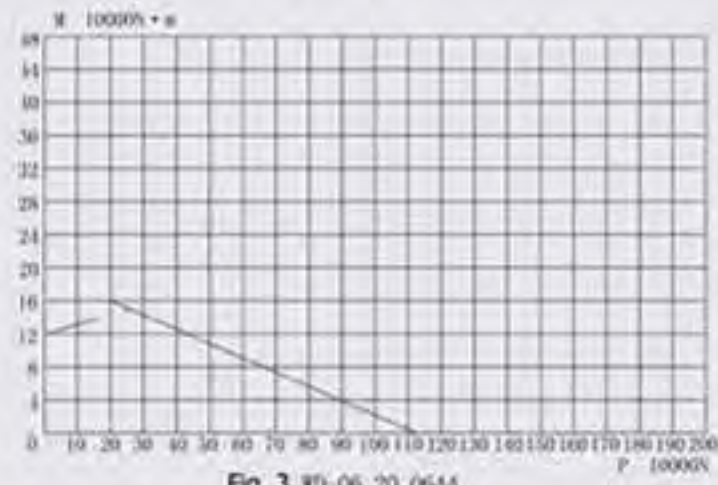


Fig. 3 WD-06.20.0644

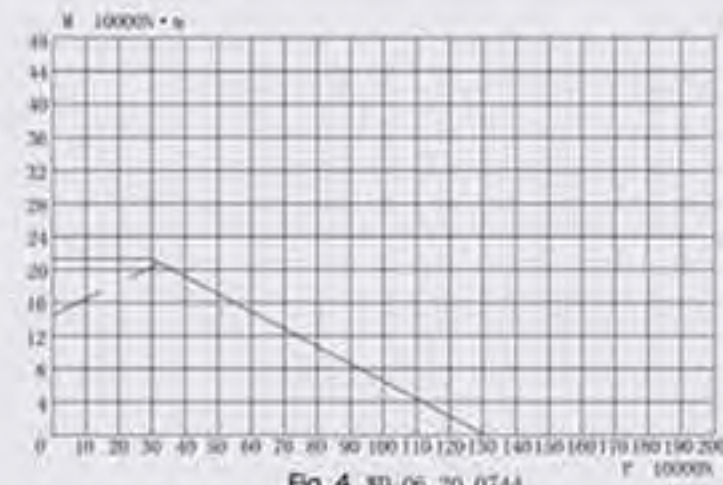


Fig. 4 WD-06.20.0744

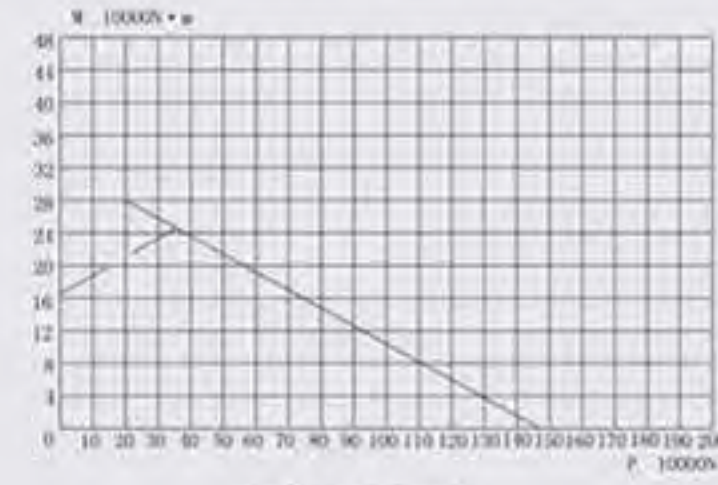


Fig. 5 WD-06.20.0844

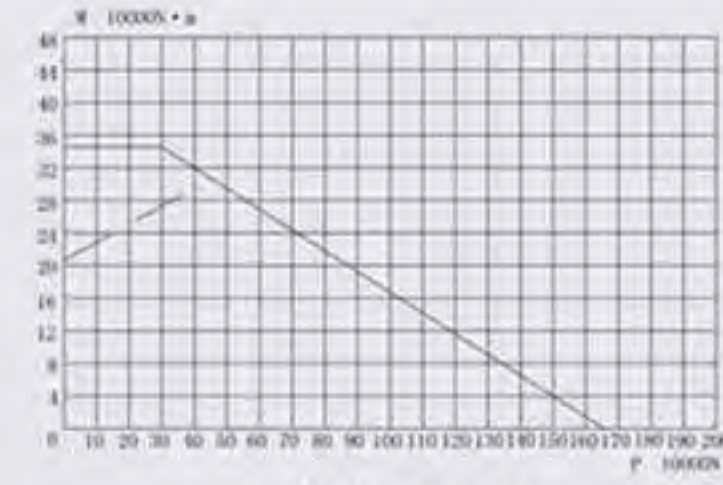


Fig. 6 WD-06.20.0944

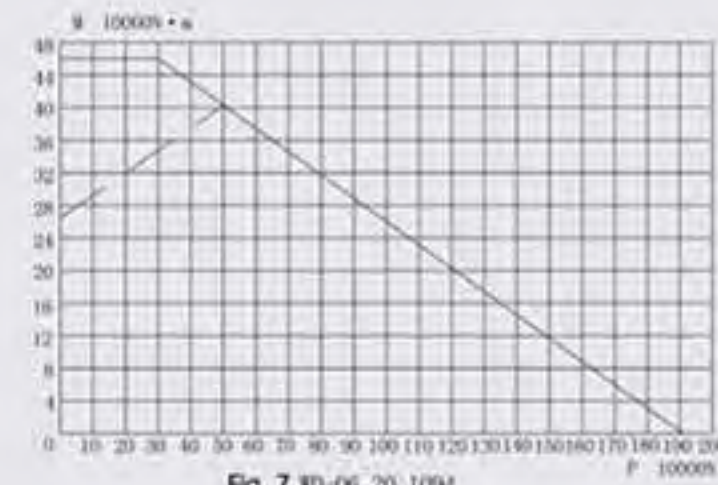


Fig. 7 WD-06.20.1094

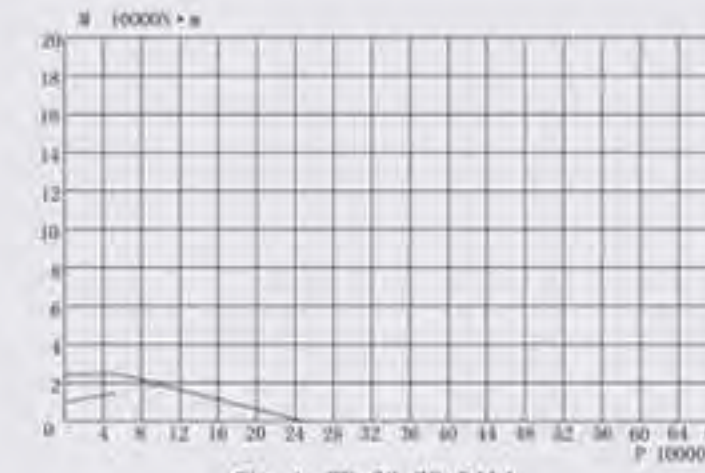


Fig. 1 WD-23.20.0414

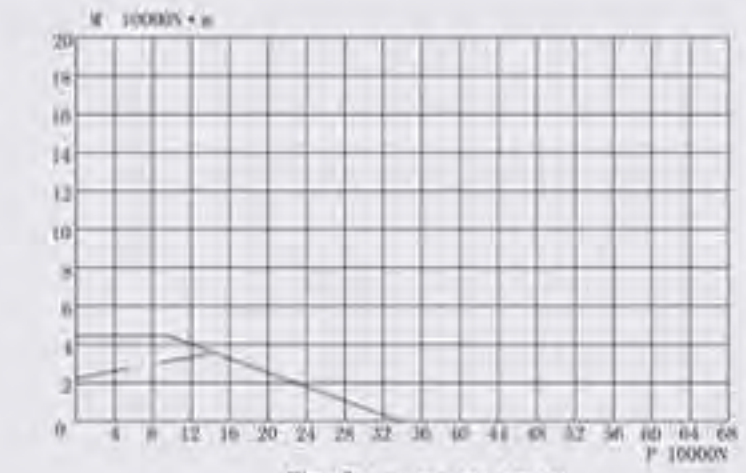


Fig. 2 WD-23.20.0544

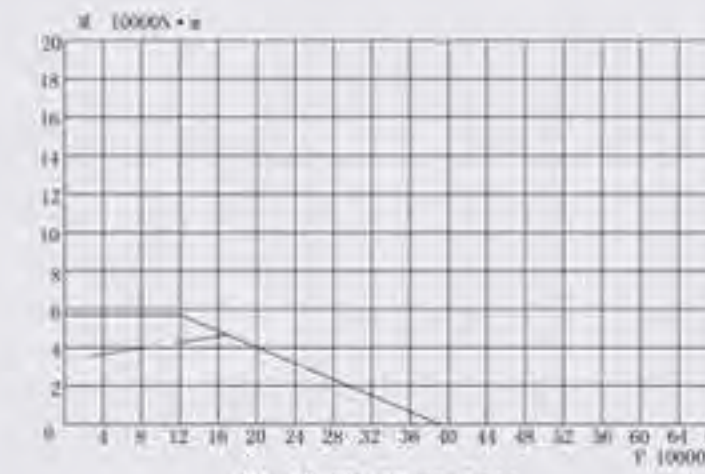


Fig. 3 WD-23.20.0644

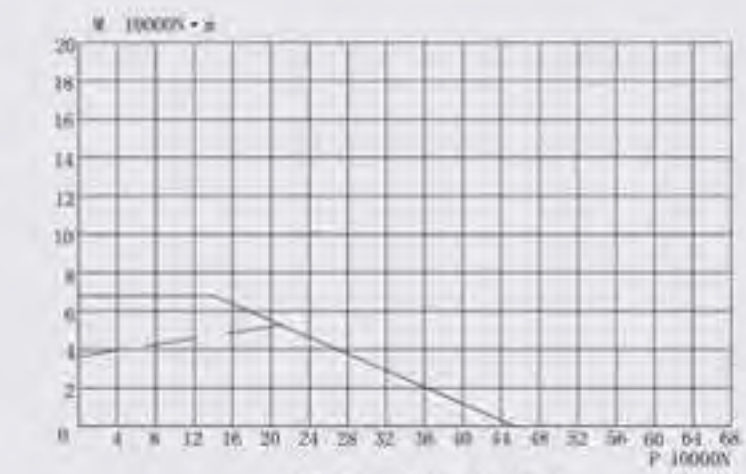


Fig. 4 WD-23.20.0744

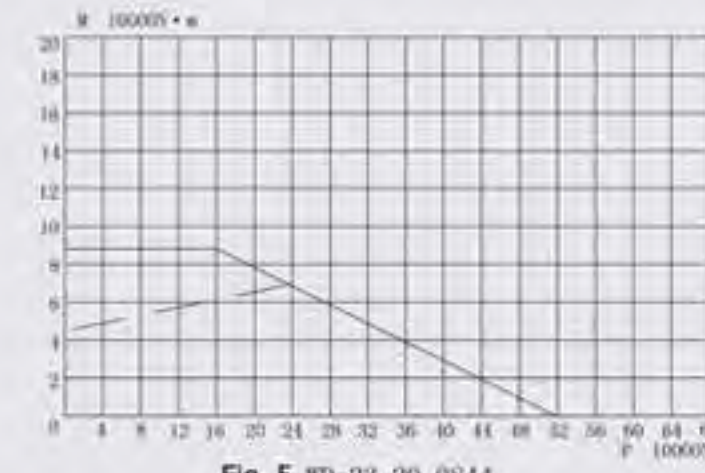


Fig. 5 WD-23.20.0844

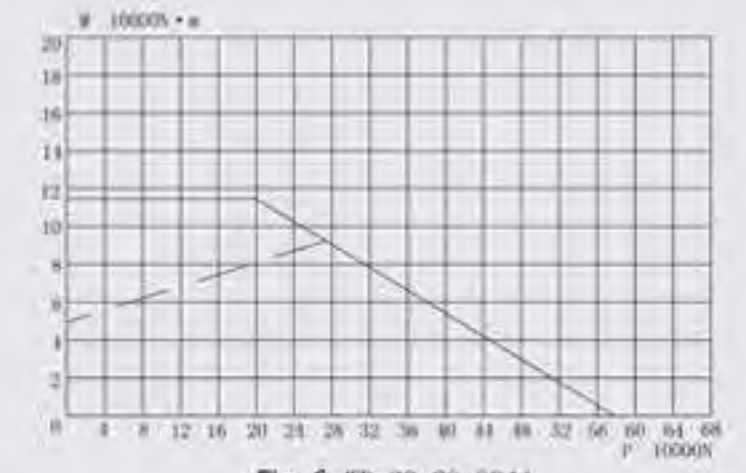


Fig. 6 WD-23.20.0944

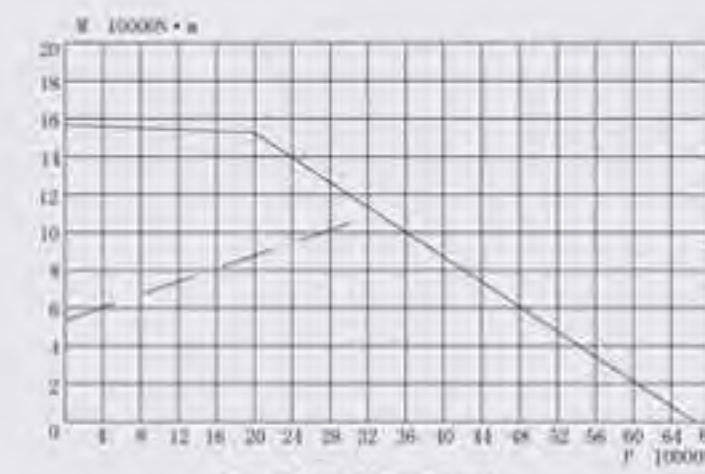


Fig. 7 WD-23.20.1094