

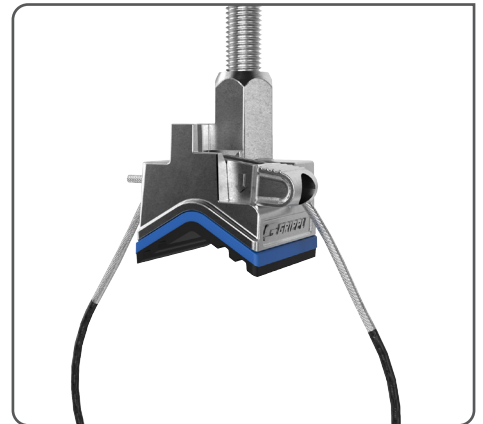
# Universal Clamp



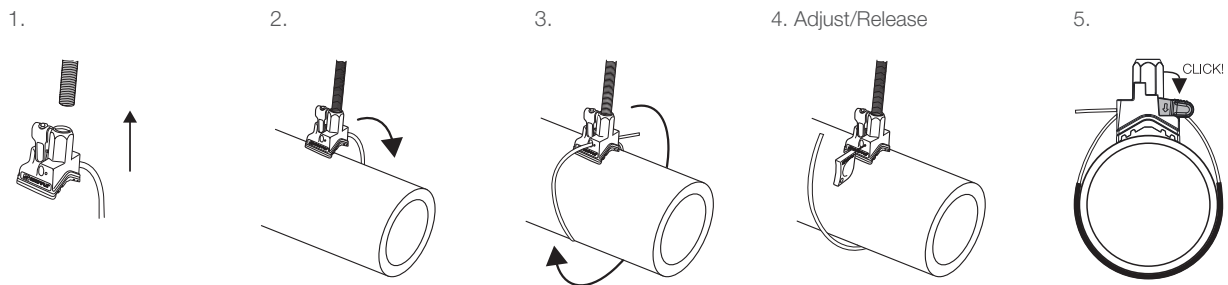
The Universal Clamp is engineered for hanging all types of pipework and ductwork within mechanical and plumbing services.

## FEATURES / BENEFITS

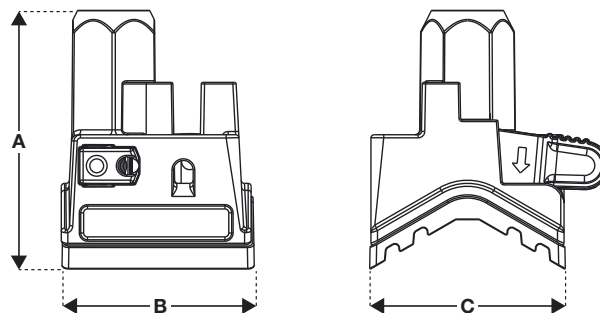
- Up to ten times faster than traditional methods
- For pipe sizes 15 mm Copper (OD15) to 6" (OD168) pipework (> OD104 requires 600 mm variant)
- Replaces more than 13 different pipe ring sizes
- Simplifies 'take-off' process
- Easy site storage, reduces waste
- Retractable sleeve, pre-fitted to wire rope to prevent galvanic corrosion
- M8/M10 dual thread for versatility during install
- Available with Kooltherm / Armaflex pipe collars for insulated pipe
- Supplied in kits with Gripple Universal Brackets
- Provides insulation against vibration



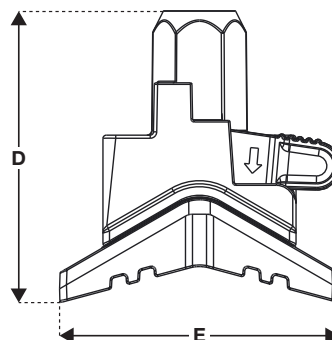
## INSTALLATION



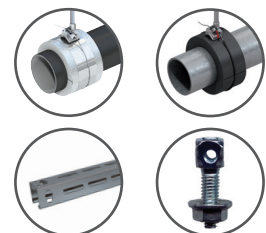
## SPECIFICATION



Dimension	Size (mm)
A	40
B	29
C	29.5
D (Large Pad)	45
E (Large Pad)	40



## AVAILABLE ACCESSORIES



For more options on available accessories please contact us or visit [www.gripple.com](http://www.gripple.com)

## SUBMITTAL INFORMATION

### Load Rating:

75 kg @ 3:1 safety factor

### Material:

**Housing** - Type ZA2 Zinc

**Wedge** - Sintered steel hardened to min. 56 Rockwell C

**Spring** - Stainless Steel (Type 302)

**Pad** - EPDM 4015 Shore A

### Approvals:

Lloyds certified

TUV tested

APAVE tested

