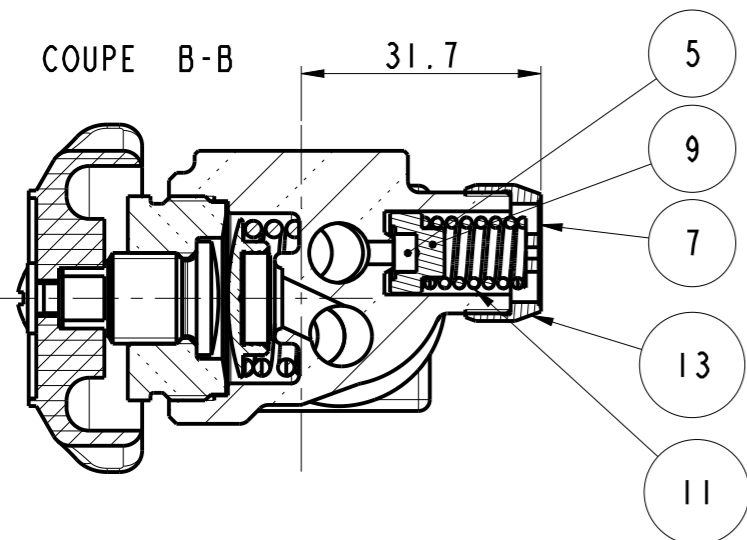


FILETAGE / THREAD 25E
NF EN ISO 11363-1
(LONGUEUR / LENGTH 26 MINI)

15 MINI

6 5 30



| CARACTERISTIQUES / CHARACTERISTICS CONDITIONS DE SERVICE / SERVICE CONDITIONS | | MARQUAGE |
|--|------------------|---|
| FAMILLE / FAMILY | 75500 600 | REFERENCE DE L'ENSEMBLE / ASSEMBLY REFERENCE |
| DT UTILISATION / USER INSTRUCTIONS | DT 727 | MOIS + ANNEE DE MONTAGE / MONTH + YEAR ASSEMBLY |
| PRESSION DE SERVICE MAXI / MAX. WORKING PRESSURE | 42 BAR | PRESSION DE SERVICE MAXI / MAX. WORKING PRESSURE |
| TEMPERATURE / TEMPERATURE RANGE | -25°C A/TO +70°C | LETTRE PI + N° D'ORGANISME / PI LETTER + ORGNISM NUMBER |
| TARAGE SOUPAPE / SAFETY RELIEF VALVE SETTING | 48 BAR ±6 BAR | |
| NUMERO D'ORGANISME / ORGANISM NUMBER | 0035 | ISO V |
| ENTREE / INLET | 25E | IDENTIFICATION ENTREE / INLET IDENTIFICATION |
| SORTIE / OUTLET | 21.8WG | IDENTIFICATION SORTIE / OUTLET IDENTIFICATION |
| POIDS / WEIGHT | 735Gr | IDENTIFICATION DU FABRICANT / MANUFACTURER IDENTIFICATION |

| | | | | | | |
|----|---|-------------------------------------|------------------------|-----------|-----|-----------|
| 16 | 1 | VOLANT VERT / GREEN HANDWHEEL | PLASTIQUE / PLASTIC | | | 862747(A) |
| 15 | 1 | VOLANT ROUGE / RED HANDWHEEL | PLASTIQUE / PLASTIC | | | 862294 |
| 14 | 2 | VIS RLZ M4x10 / SCREW RLZ M04 | ACIER / STEEL | | | 862229 |
| 13 | 1 | VIS DE SOUPAPE / SAFETY VALVE SCREW | LAITON / BRASS | NFEN12164 | 2.2 | 861964 |
| 12 | 2 | TIGE DE MANOEUVRE / STEM | LAITON / BRASS | NFEN12164 | 3.1 | 862750 |
| 11 | 1 | RESSORT / SPRING | INOX / STAINLESS STEEL | | 2.2 | 862728 |
| 10 | 2 | RESSORT / SPRING | INOX / STAINLESS STEEL | | 2.2 | 862002 |
| 9 | 1 | PORTE JOINT / GASKET HOLDER | LAITON / BRASS | NFEN12164 | 2.2 | 861966 |
| 8 | 2 | PORTE CLAPET / DISK HOLDER | LAITON / BRASS | NFEN12164 | 2.2 | 861788 |
| 7 | 1 | PASTILLE ADHESIVE / ADHESIVE DISK | ADHESIF / ADHESIVE | | | 861981 |
| 6 | 4 | MEMBRANE / MEMBRANE | INOX / STAINLESS STEEL | | 2.2 | 861949 |
| 5 | 1 | JOINT PLAT / GASKET | ELASTOMERE / ELASTOMER | | 2.2 | 862239 |
| 4 | 2 | GUIDE TIGE / STEM GUIDE | LAITON / BRASS | NFEN12164 | 3.1 | 862752 |
| 3 | 1 | CORPS DOUBLE PHASE / VALVE BODY | LAITON / BRASS | NFEN12165 | 3.1 | 862965 |
| 2 | 2 | CLAPET / SEAT DISK | PLASTIQUE / PLASTIC | | 2.2 | 861786 |
| 1 | 1 | CANULE / DIP TUBE CONNECTOR | LAITON / BRASS | NFEN12164 | 2.2 | 862496 |

| REP | NB | DESIGNATION | MATIERE/NORME | NORME MATIERE | CERTIF MATIERE | N° PLAN/CODE |
|-----|----|---|---------------|---------------|----------------|----------------|
| REP | NB | DESIGNATION | MATIERE/NORME | NORME MATIERE | CERTIF MATIERE | N° PLAN/CODE |
| 1 | 1 | ROBINET DOUBLE PHASE 42 BAR UNE SORTIE Ø21.8G + SOUPAPE | | | | CODE 961400 |
| 2 | 2 | 42 BAR LIQUID/VAPOR VALVE ONE OUTLET Ø21.8LH + RELIEF VALVE | | | | N° PLAN R13507 |

