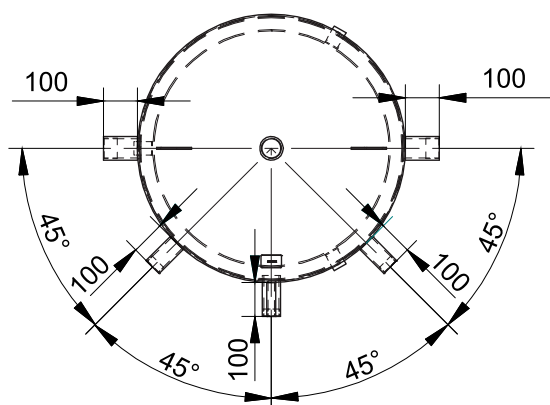
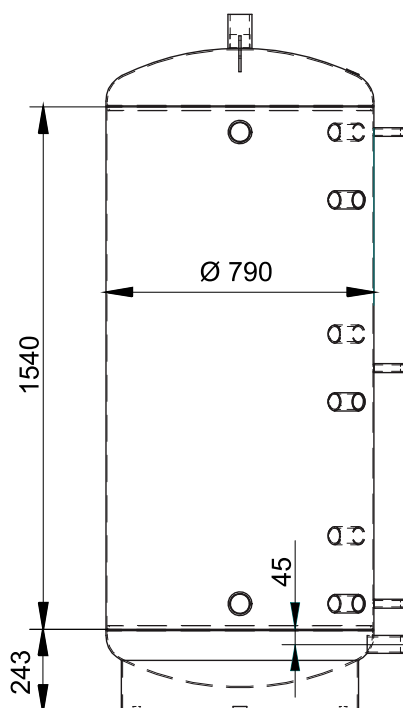
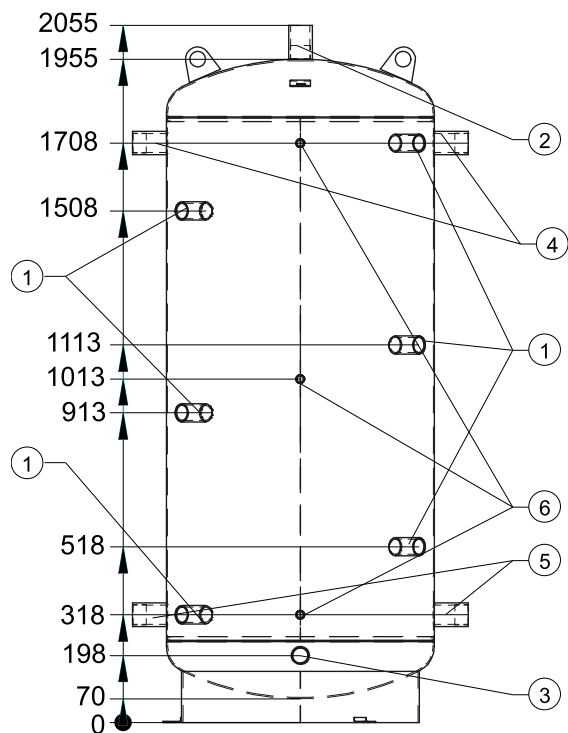


## Technical data - buffer tank dimensions



Connections		
1	Heating element inserts	1 ½" internal thread
2	Connection for de-aeration	G 1 ½" internal thread
3	Connection for drainage	G 1 ½" internal thread
4	Heating water flow	G 2" internal thread
5	Heating water return	G 2" internal thread
6	Immersion sleeve	Rp ½"

Technical information	
Nominal capacity	1000 litres
Usable capacity	870 litres
Tilt dimension without thermal insulation	2250 mm
Height complete	2055 mm
Diameter without thermal insulation	790 mm
Diameter with thermal insulation	1000 mm
Insulation thickness thermal insulation	25 mm
Insulation thickness thermal insulation	100 mm
Net weight	120 kg
Heat loss <sup>1</sup>	3.36 kWh/24h
Permissible operating temperature, heating water	95 °C
Permissible operating overpressure, heating water	3 bar
Test pressure	3.9 bar

1. Room temperature 20 °C; cylinder temperature 65°C