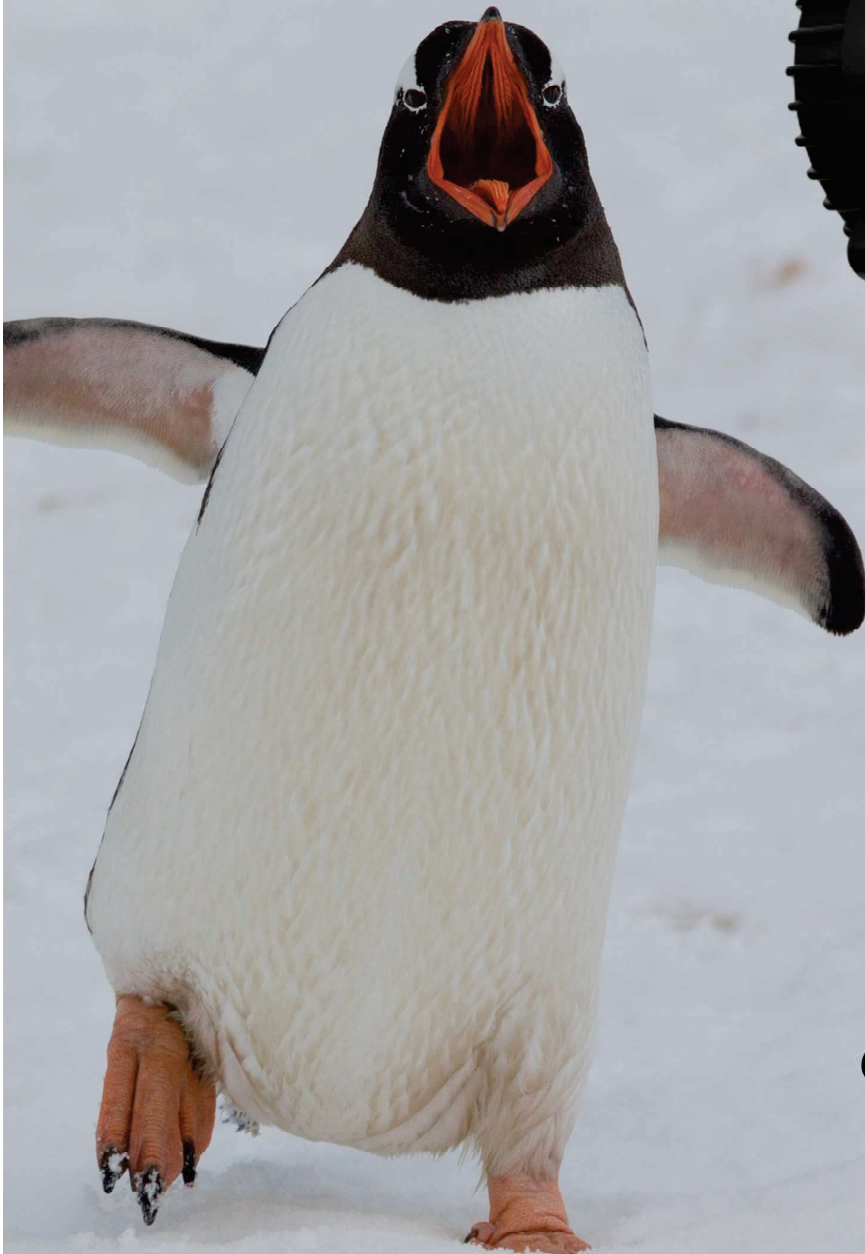


# Energy-saving fans IQC

**ebmpapst**

engineering a better life



**In Stock Now**

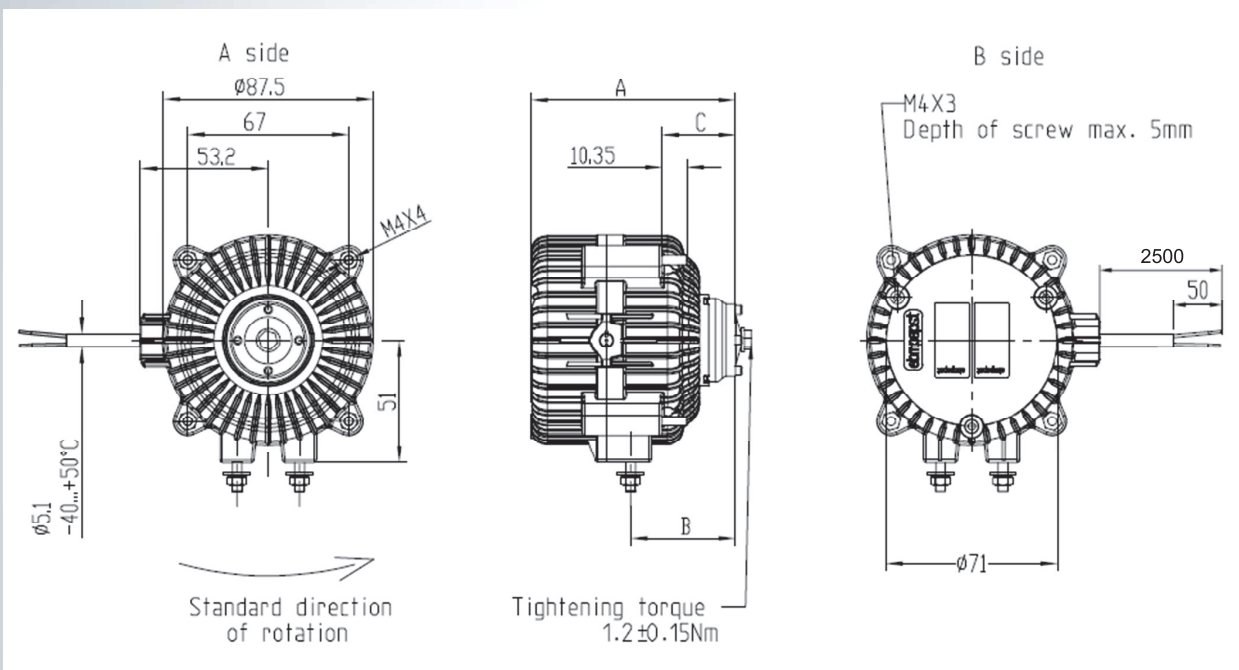
# **Made for tough conditions** *and optimal performance*



- Ambient temperature -40°C til +50°C
- IP65 regardless of installation
- Power cables at 2,5 meter
- Maintenance-free design
- Retrofit - Can replace standard Q-motors 1:1
- Long service life due to maintenance-free ball bearings
- Electronic motor protected

# Technical Data

Nominal Data	Nominal voltage	Frequency	Speed/RPM	Output Power	Perm. Amb. Temp.	Mass	Dimensions	
Type	V	Hz	RPM	W	°C	kg	A (mm)	C (mm)
<b>IQC 3608</b>	220-240	50/60	1300	10	-40...+50	0,5	83	28,5
<b>IQC 3612</b>	220-240	50/60	1300	20	-40...+50	0,5	85	30,5



## Technical Data

<b>Nominal voltage</b>	220 - 240VAC, 50/60Hz
<b>Rotation speed</b>	1300 rpm
<b>Material</b>	PBT
<b>Direction of rotation</b>	CCW (view on drive end)
<b>Protection class</b>	II - Double isolated
<b>Isolation class</b>	"B" VDE
<b>Installation position</b>	Any
<b>Ambient temperature</b>	-40°C to +50°C
<b>Bearings</b>	Maintenance-free ball bearing system
<b>Motor Protection</b>	By electronics
<b>Electrical hook-up</b>	Power cables
<b>Degree of protection</b>	IP65
<b>Approvals</b>	VDE, CE
<b>Mounting of axial impeller</b>	A plastic adapter with catching peg and M4 screw is used to secure the impeller on the motor shaft