

## MCT casing

Model	ID	Code
0-1-2-3	MCT 600	9079240
4-5-6	MCT 800	9079250
7-8	MCT 900	9079886

The MCT version has been designed for all environments where false ceilings are not featured or cannot be constructed.

The casing fits perfectly to the air intake and outlet diffuser, maintaining the appealing design that defines the SkyStar series.

The water fittings can be turned to point upwards.

The MCT series includes 9 models, with an installation height of up to 5 m, thanks to the highly flexible adjustment of the air distribution louvers.

All the technical specifications described on the previous pages remain the same, while keeping in mind that:

- the MCT series features one coil only (2 pipe systems)
- there is no possibility of fresh air intake
- there is no possibility of additional electric heater

The MCT version features a special casing, in COOL GREY 1C colour, delivered in separate packaging; this must only be fitted after having installed the SkyStar unit and completed the water and electrical connections.

Warning: the electrical and water connections must enter the unit from above and must not interfere with the casing.

### Models 02-12-22-32-42-52-62

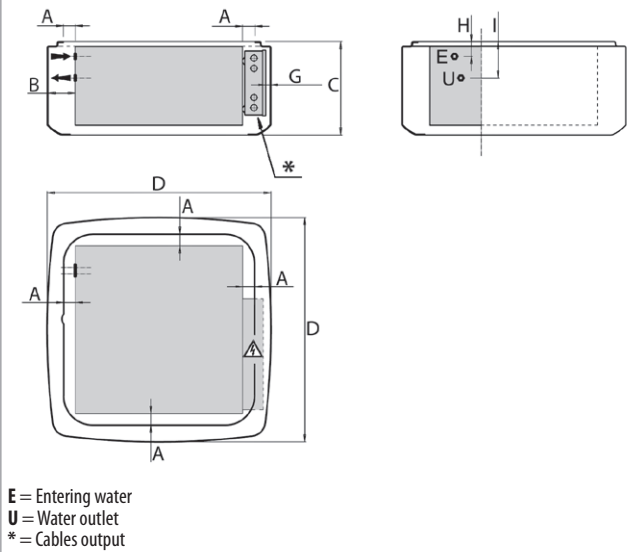


### Models 72-82

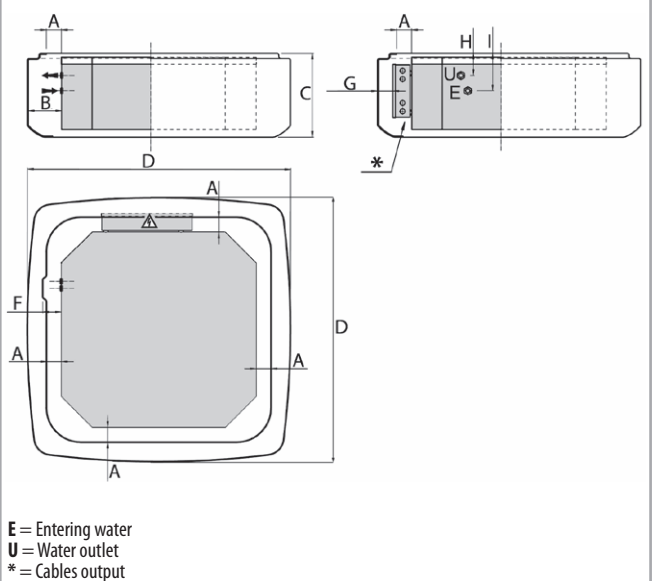


## Dimension and weight

### MCT 600

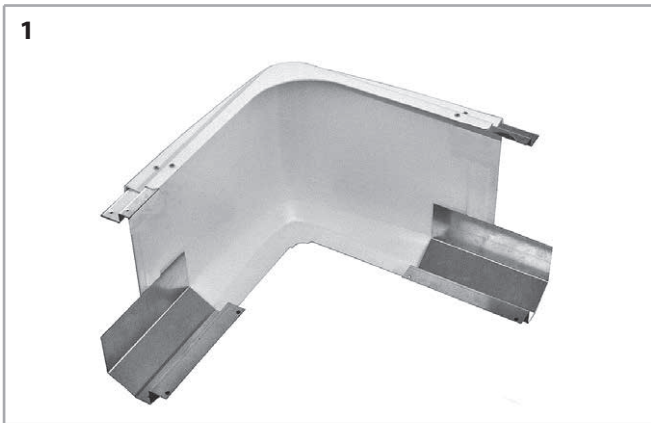


### MCT 800-900



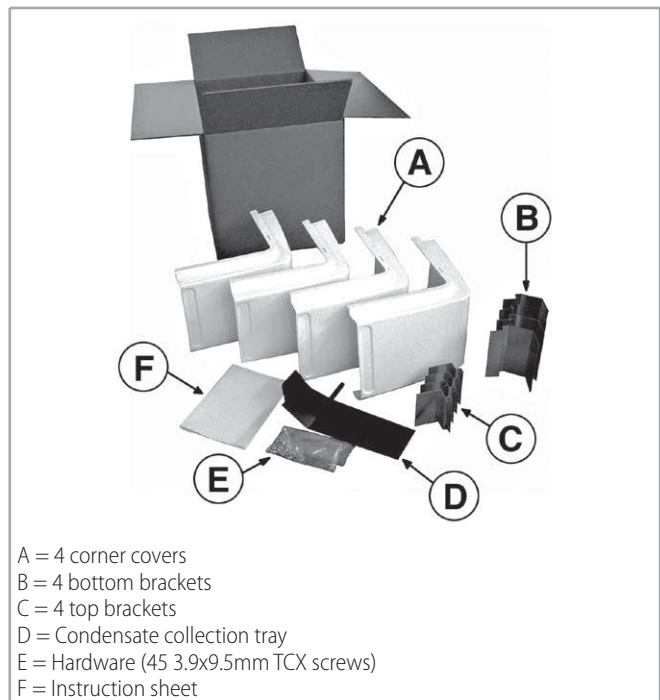
Model		MCT 600	MCT 800	MCT 900
A	mm	40	62	53
B	mm	93	140	126
C	mm	320	350	350
D	mm	768	1089	1125
F	mm	-	78	69
G	mm	15 max	65 max	33 max
H	mm	51	94	94
I	mm	125	158	158
Weight with packaging		kg	5	10,5
Weight without packaging		kg	7,5	13,5

**Assembly diagram**



**Components of the casing**

The casing includes the following elements:



**Valves kit**

Model	Kvs m <sup>3</sup> /h	Dp max kPa *	Micrometric lockshield valve connections (female) Ø	Ball valve connections (female) Ø	ID	Code
MCT 600	2,5	50	3/4"	-	3V2T1-3MCT	9079155
MCT 800	4,5		3/4"		3V2T4-6MCT	9079221
MCT 900			3/4"	1"	3V2T7-8MCT	9079945W

\* maximum pressure difference for valve to close

The valve fittings allow the water pipes to be connected from above.

