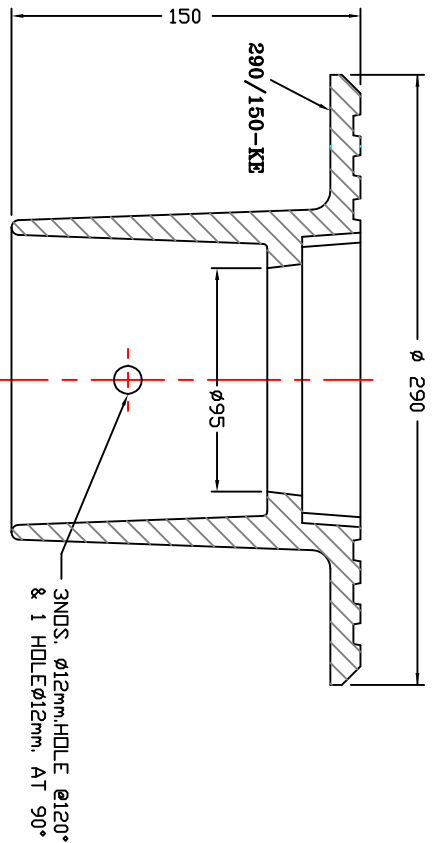
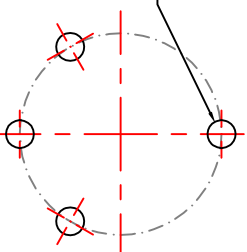


PLAN OF FRAME



SECTION OF FRAME



HOLE DETAIL

DIMENSIONS :- All are in mm	MARKING:- casted as required	MATERIAL:- DIN 1691 GR. GG20
FINISH :- Coating will be black bituminous paint.	MACHINING :- Not Required	
	It will be casted as required	
	Not Required	

R#	REVISION	DATE	RBY/APR
RBA Ferro Industries Pvt. Ltd. 2/6, SARAT BOSE ROAD, CALCUTTA-20, INDIA TITLE: HYDRANT SURFACE BOX (290/150-KE BODY) (CNR058) (AIM980)			
DRAWN BY :- P.BHDVMIK	DATE :- 04.05.23		
APPROVED BY :- DPA	DRG. NO.:- G/2121RD-PR-ONNLINE		