

Frost-proof wall hydrants are designed to prevent damage from freezing water in plumbing systems during winter time with functions of non-return valve, stop valve, vacuum breaker. Frost-proof wall hydrants shut off the water supply at the heated area inside wall and drain water away automatically at out-side of wall.

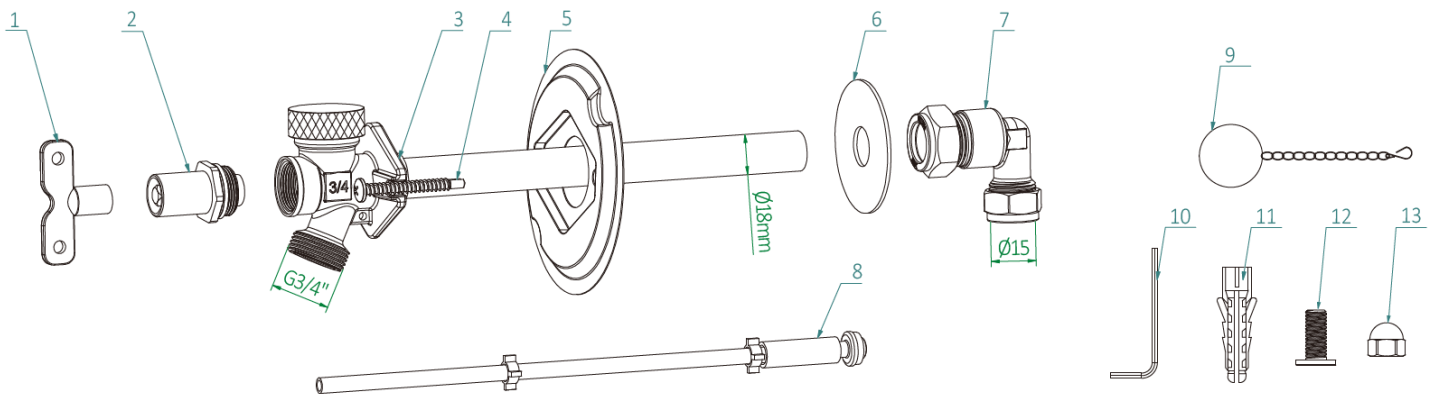
## Technical data:

Max. service pressure: 10 bar (1 MPa)  
 Material: DZR Brass body and Copper Pipe  
 Max. wall thickness: 460 mm  
 Flow rate: 0.2 l/s / 160 kPa  
 Pipe diameter: 18mm  
 Outlet connection: G3/4 Male  
 Inlet connection:  $\varnothing 15$ mm

## Use Instruction

Use handle to open/close valve. Water flows through the hydrant after turning the handle counter-clockwise. Turn off the hydrant by turning the handle clockwise .

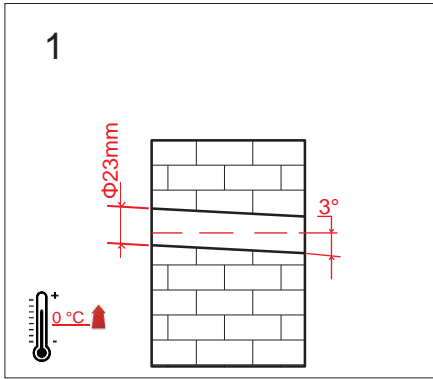
Notice: The hydrant will still drain water from pipe for a few seconds after close of valve. If the water dropping keeps after a few seconds, tighten the handle key slightly until the dropping stops. Be careful not to over-tighten the hydrant.



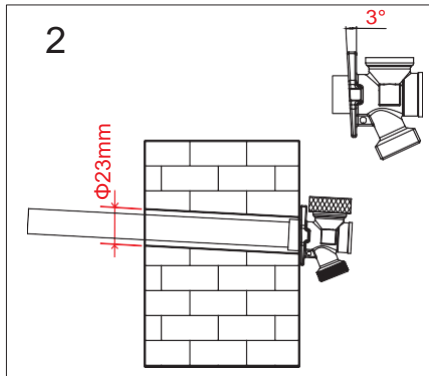
No.	Part Name	Qty.
1	Handle	1
2	Bonnet kit	1
3	Hydrant	1
4	Screw	2
5	Cover plate	1
6	Plastic decorative	1
7	Elbow fitting	1

No.	Part Name	Qty.
8	Stem	1
9	Handle chain	1
10	Hex tool	1
11	Plastic anchors	2
12	Bolt	2
13	Nut	2

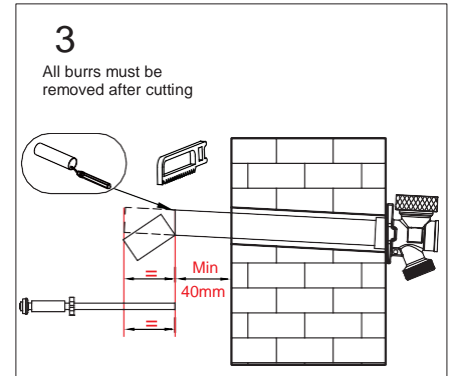
# Installation Manual



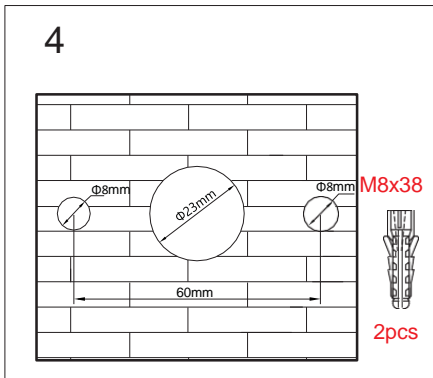
1. Drill a hole of  $\varnothing 23$  mm through the wall. To eliminate the risk of freezing the hole must be drilled with an about 3 degree angle down towards the outside of the building.



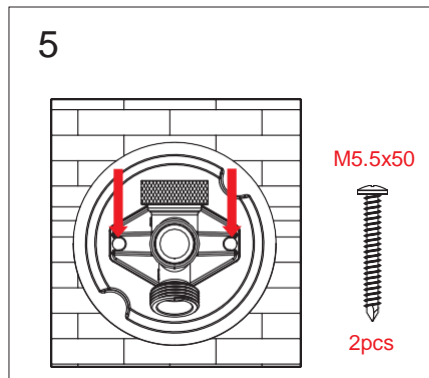
2. Insert the Hydrant (3) into the wall hole ( $\varnothing 23$ mm hole). The flange of the body with  $3^\circ$  inclination to make the angle of valve automatically. This will help water drain off from pipe automatically after closing valve.



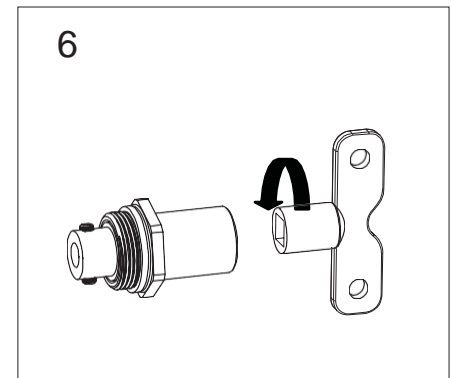
3. Cut the pipe (3) based on wall thickness (keep min. 40mm from surface of wall). Cut the stem (8) to the same length as the cut pipe.



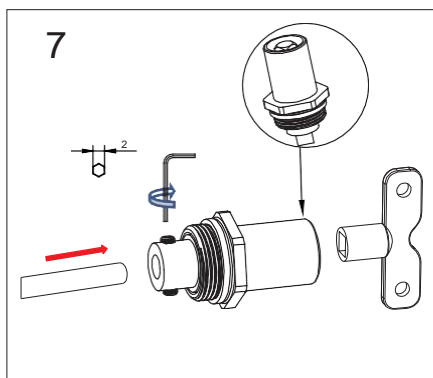
4. Drill 2 installation 8mm holes on the wall with 60mm distance. Install the plastic anchors (11) into holes.



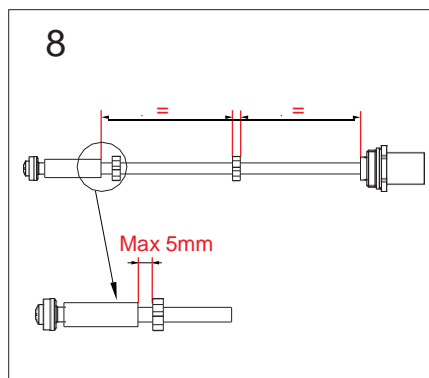
5. Put the cover plate (5) under the valve body and use screws (4) fix valve on the wall.



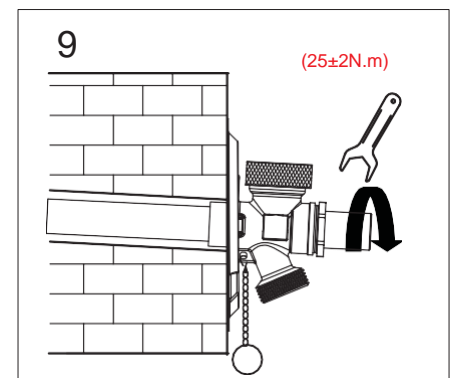
6. Adjust the position of the bonnet kit (2) clockwise with the handle (1), as shown in the figure until 2 hex screws can be seen.



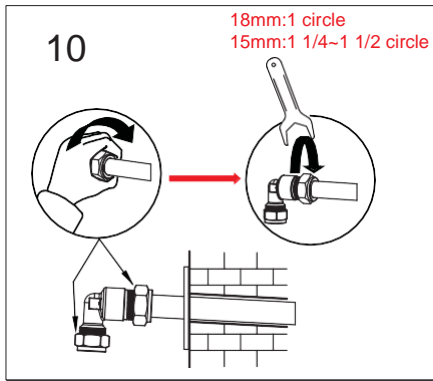
7. Install the stem (8) to the bonnet kit (2) and tighten 2 hex screws. Next, use the handle (1) to adjust the bonnet kit (2) counter-clockwise to the end.



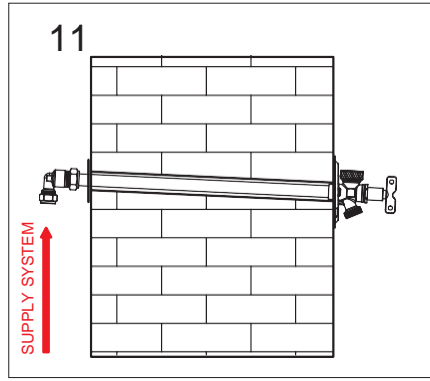
8. Adjust the position of the support as shown in the figure.



9. Insert the bonnet kit (8) into the body, tighten by wrench, please do not over tighten. Install the handle chain (9) on the body.

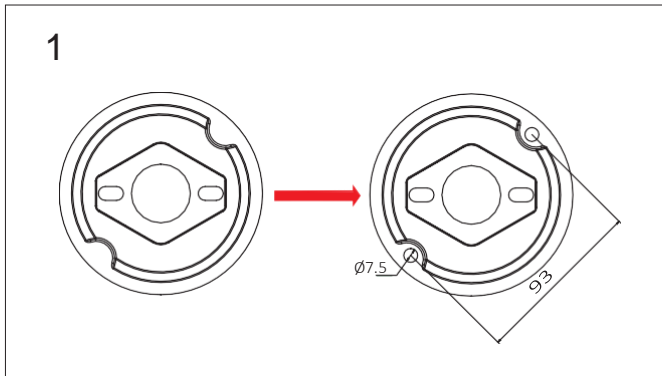


10. Put the plastic decorative cover (6) on the copper pipe and connect the elbow fitting (7) with the copper pipe.

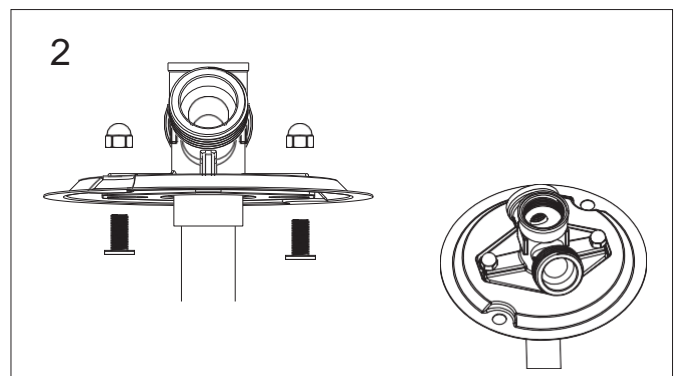


11. Connect the water supply piping to the frost proof wall hydrant.

## Optional Installation Method For Wider Installation Hole Distance



1. Make two 7.5mm holes on the cover plate (5) with screws (4) or other tools, with a hole distance of 93mm on the wall.



2. Fix the body and cover plate (5) with bolts (12) and nuts (13) provided in the package.

3. Next, follow the installation instructions on page 2.