

Diameter:

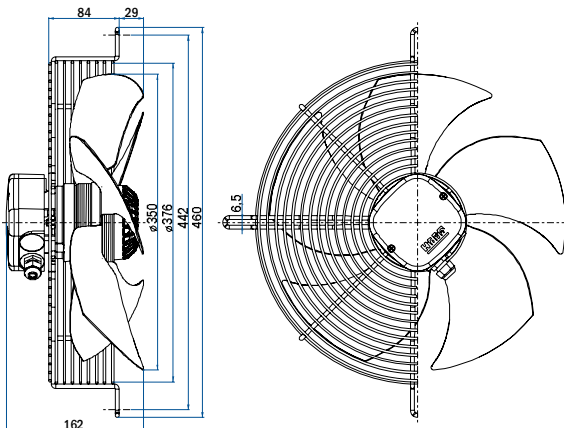
350 mm

R09\_-3530H\_-4M-4237



**Fan with guard grill**

Airflow Direction	Type	Code	Weight (kg)
Sucking	R09R-3530HA-4M-4237	0309-4-1000	3.7
Blowing	R09R-3530HP-4M-4237	0309-4-1032	



**Fan with plate**

Airflow Direction	Type	Code	Weight (kg)
Sucking	R09P-3530HA-4M-4237	0309-4-1013	6.2
Blowing	R09P-3530HP-4M-4237	0309-4-1122	

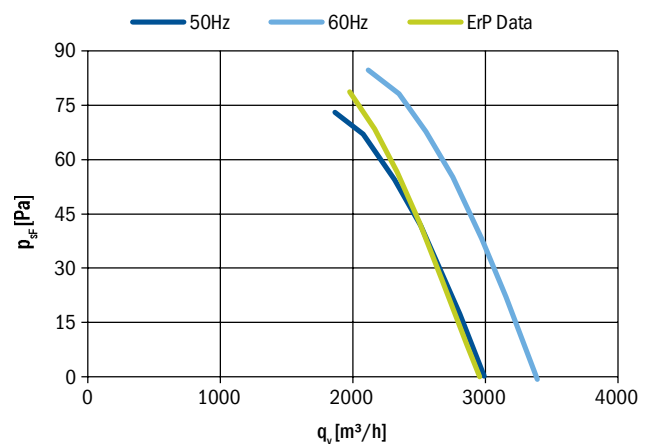
**Fan without guard grill**

Airflow Direction	Type	Code	Weight (kg)
Sucking	R09E-3530HA-4M-4237	On request	
Blowing	R09E-3530HP-4M-4237	On request	

Nominal data according to standard EN 60335:	
Phase	1~
Nominal voltage	230 V
Frequency	50/60 Hz
Rated power input	130/165 W
Rated current	0.60/0.72 A
Rated speed	1290/1380 RPM
Min. ambient temperature	-30 °C
Max. ambient temperature	60 °C
Sound power level A weighted	72/75 dB (A)
Condensator	4 µF/450 V
Connection	terminal box
Insulation class	155
Protection class	IP54

ErP data according to EU regulation 327/2011:	
Overall efficiency	29.0 %
Measurement category	A
Efficiency category	static
Efficiency grade N	40.7
Variable speed drive	NO
Power input	140 W
Air flow	1975 m <sup>3</sup> /h
Pressure drop	79 Pa
Speed	1333 RPM
Specific ratio	1.00

**Aerodynamic characteristic**



Fan characteristic measured in full bell mouth with guard grill.  
ErP characteristic measured in full bell mouth without guard grill.

General notes	
Connection diagrams:	
Sucking	0301-1-0043 See section
Blowing	0301-1-0044 Connection diagrams
Guard grills & wall-plates	See section Accessories
Standards compliance	See introduction page