

Panasonic

Air conditioner

Installation Instruction

CAUTION

R32

REFRIGERANT

This Air Conditioner contains and operates with refrigerant R32.

THIS PRODUCT MUST ONLY BE INSTALLED OR SERVICED BY QUALIFIED PERSONNEL.

Refer to National, State, Territory and local legislation, regulations, codes, installation & operation manuals, before the installation, maintenance and/or service of this product.

MODEL NO. :-
CS/CU-Z25, Z35, Z42, Z50, Z71YKEA Series.

Required tools for Installation Works

1 Phillips screw driver	12 Megameter
2 Level gauge	13 Multimeter
3 Electric drill, hole core drill (φ70 mm)	14 Torque wrench
4 Hexagonal wrench (4 mm)	18 Nm (1.8 kgf·m)
5 Spanner	42 Nm (4.3 kgf·m)
6 Pipe cutter	55 Nm (5.6 kgf·m)
7 Reamer	65 Nm (6.6 kgf·m)
8 Knife	100 Nm (10.2 kgf·m)
9 Gas leak detector	15 Vacuum pump
10 Measuring tape	16 Gauge manifold
11 Thermometer	

SAFETY PRECAUTIONS

- Read the following "SAFETY PRECAUTIONS" carefully before installation.
- Electrical work must be installed by a licensed electrician. Be sure to use the correct rating of the power plug and main circuit for the model to be installed.
- The caution items stated here must be followed because these important contents are related to safety. The meaning of each indication used is as below.
- Incorrect installation due to ignoring of the instruction will cause harm or damage, and the seriousness is classified by the following indications.

WARNING This indication shows the possibility of causing death or serious injury.

CAUTION This indication shows the possibility of causing injury or damage to properties only.

The items to be followed are classified by the symbols:

Symbol with white background denotes item that is PROHIBITED.

Symbol with dark background denotes item that must be carried out.

WARNING

- Do not use means to accelerate the defrosting process to clean, other than those recommended by the manufacturer. Any unfit method or using incompatible material may cause product damage, burst and serious injury.
- Do not install outdoor unit near handrail of veranda. When installing air-conditioner unit on veranda of a high rise building, child may climb up to outdoor unit and cross over the handrail causing an accident.
- Do not use unspecified cord, modified cord, joint cord or extension cord for power supply cord. Do not share the single outlet with other electrical appliances. Poor contact, poor insulation or over current will cause electrical shock or fire.
- Do not tie up the power supply cord into a bundle by band. Abnormal temperature rise on power supply cord may happen.
- Do not insert your fingers or other objects into the unit, high speed rotating fan may cause injury.
- Do not sit or step on the unit, you may fall down accidentally.
- Keep plastic bag (packaging material) away from small children, it may cling to nose and mouth and prevent breathing.
- When installing or relocating air conditioner, do not let any substance other than the specified refrigerant, eg. air etc mix into refrigeration cycle (piping). Mixing of air etc. will cause abnormal high pressure in refrigeration cycle and result in explosion, injury etc.
- Do not pierce or burn as the appliance is pressurized. Do not expose the appliance to heat, flame, sparks, or other sources of ignition. Else, it may explode and cause injury or death.
- Do not add or replace refrigerant other than specified type. It may cause product damage, burst and injury etc.

- For R32/R410A model, use piping, flare nut and tools which is specified for R32/R410A refrigerant. Using of existing (R22) piping, flare nut and tools may cause abnormally high pressure in the refrigerant cycle (piping), and possibly result in explosion and injury.
- For R32 and R410A, the same fit are not on the outdoor unit side and pipe can be used.
- Since the working pressure for R32/R410A is higher than that of refrigerant R22 model, replacing conventional piping and flare nuts on the outdoor unit side are recommended.
- If reuse piping is unavoidable, refer to instruction "IN CASE OF REUSING EXISTING REFRIGERANT PIPING"
- Thickness for copper pipes used with R32/R410A must be more than 0.8 mm. Never use copper pipes thinner than 0.8 mm.
- It is desirable that the amount of residual oil less than 40 mg/10 m.
- Engage authorized dealer or specialist for installation. If installation done by the user is incorrect, it will cause water leakage, electrical shock or fire.
- For refrigeration system work, install according to this installation instructions strictly. If installation is defective, it will cause water leakage, electrical shock or fire.
- Use the attached accessories parts and specified parts for installation. Otherwise, it will cause the set to fall, water leakage, fire or electrical shock.
- Install at a strong and firm location which is able to withstand weight of the set. If the strength is not enough or installation is not properly done, it will set drop and cause injury.
- For electrical work, follow the national regulation, legislation and this installation instructions. An independent circuit and single outlet must be used. If electrical circuit capacity is not enough or defect found in the electrical work, it will cause electrical shock or fire.
- Do not use joint cable for indoor / outdoor connection cable. Use the specified indoor/outdoor connection cable, refer to instruction ⑤ **CONNECT THE CABLE TO THE INDOOR UNIT** and connect tightly for indoor/outdoor connection. Clamp the cable so that no external force will have impact on the terminal. If connection or fixing is not perfect, it will cause heat up or fire at the connection.
- Wire routing must be properly arranged so that control board cover is fixed properly. If control board cover is not fixed perfectly, it will cause fire or electrical shock.
- This equipment is strongly recommended to be installed with Earth Leakage Circuit Breaker (ELCB) or Residual Current Device (RCD), with sensitivity of 30 mA at 0.1 sec or less. Otherwise, it may cause electrical shock and fire in case of equipment breakdown or insulation breakdown.
- During installation, install the refrigerant piping properly before running the compressor. Operation of compressor without fixing refrigeration piping and valves at opened position will cause suck-in of air, abnormal high pressure in refrigeration cycle and result in explosion, injury etc.
- During pump down operation, stop the compressor before removing the refrigeration piping. Removal of refrigeration piping while compressor is operating and valves are opened will cause suck-in of air, abnormal high pressure in refrigeration cycle and result in explosion, injury etc.
- Tighten the flare nut with torque wrench according to specified method. If the flare nut is over-tightened, after a long period, the flare may break and cause refrigerant gas leakage.
- After completion of installation, confirm there is no leakage of refrigerant gas. It may generate toxic gas when the refrigerant contacts with fire.
- Ventilate if there is refrigerant gas leakage during operation. It may cause toxic gas when the refrigerant contacts with fire.
- Be aware that refrigerants may not contain an odour.
- This equipment must be properly earthed. Earth line must not be connected to gas pipe, water pipe, earth of lightning rod and telephone. Otherwise, it may cause electrical shock in case of equipment breakdown or insulation breakdown.

CAUTION

- Do not install the unit in a place where leakage of flammable gas may occur. In case gas leaks and accumulates at surrounding of the unit, it may cause fire.
- Prevent liquid or vapor from entering stops or sewers since vapor is heavier than air and may form suffocating atmospheres.
- Do not release refrigerant during piping work for installation, re-installation and during repairing refrigeration parts. Take care of the liquid refrigerant, it may cause frostbite.
- Do not install this appliance in a laundry room or other location where water may drip from the ceiling, etc.
- Do not touch the sharp aluminum fin, sharp parts may cause injury.
- Carry out drainage piping as mentioned in installation instructions. If drainage is not perfect, water may enter the room and damage the furniture.
- Select an installation location which is easy for maintenance. Incorrect installation, service or repair of this air conditioner may increase the risk of rupture and this may result in loss damage or injury and/or property.
- Power supply connection to the room air conditioner:
Use power supply cord 3 x 1.5 mm² (1.0 - 1.75HP), 3 x 2.5 mm² (2.0 - 2.5HP) type designation 60245 EC 57 or heavier cord.
Connect the power supply cord of the air conditioner to the mains using one of the following method.
Power supply point should be in easily accessible place for power disconnection in case of emergency.
In some countries, permanent connection of this air conditioner to the power supply is prohibited.
- 1) Power supply connection to the receptacle using power plug
Use an approved 15/16 A (1.0 - 1.75HP) or 16 A (2.0HP) or 20 A (2.5HP), power plug with earth pin for the connection to the socket.
- 2) Power supply connection to a circuit breaker for the permanent connection.
Use an approved 16 A (1.0 - 2.0HP) or 20 A (2.5HP) circuit breaker for the permanent connection. It must be a double pole switch with a minimum 3.0 mm contact gap.
- Installation work.
It may need two people to carry out the installation work.
- Keep any required ventilation openings clear of obstruction.

PRECAUTION FOR USING R32 REFRIGERANT

Pay careful attention to the following precaution points and the installation work procedures.

WARNING

- When connecting flare at indoor side, make sure that the flare connection is used only once, if torqued up and released, the flare must be remade. Once the flare connection was torqued up correctly and leak test was made, thoroughly clean and dry the pipe to remove oil, dirt and grease by following instructions of silicone sealant. Apply neutral cure (Alkoxy type) & ammonia-free silicone sealant that is non-corrosive to copper & brass to the external of the flared connection to prevent the ingress of moisture on both the gas & liquid sides. (Moisture may cause freezing and premature failure of the connection)
- The appliance shall be stored, installed and operated in a well ventilated room with indoor floor area larger than A_{min} (m²) (refer Table A) and without any continuously operating ignition source. Keep away from open flames, any operating gas appliances or any operating electric heater. Else, it may explode and cause injury or death.
- The mixing of different refrigerants within a system is prohibited. Models that use refrigerant R32 and R410A have a different charging port thread diameter to prevent erroneous charging with refrigerant R22 and for safety. Therefore, check beforehand. (The charging port thread diameter for R32 and R410A is 12.7 mm (1/2 inch).)
- Ensure that foreign matter (oil, water, etc.) does not enter the piping. Also, when storing the piping, securely seal the opening by pinching, taping, etc. (Handling of R32 is similar to R410A.)
- Operation, maintenance, repairing and refrigerant recovery should be carried out by trained and certified personnel in the use of flammable refrigerants and as recommended by the manufacturer. Any personnel conducting an operation, servicing or maintenance on a system or associated parts of the equipment should be trained and certified.
- Any part of refrigerating circuit (evaporators, air coolers, AHU, condensers or liquid receivers) or piping should not be located in the proximity of heat sources, open flames, operating gas appliance or an operating electric heater.
- The user/owner or their authorized representative shall regularly check the alarms, mechanical ventilation and detectors, at least once a year, where as required by national regulations, to ensure their correct functioning.
- A logbook shall be maintained. The results of these checks shall be recorded in the logbook.
- In case of ventilations in occupied spaces shall be checked to confirm no obstruction.
- Before a new refrigerating system is put into service, the person responsible for placing the system in operation should ensure that trained and certified operating personnel are instructed on the basis of the instruction manual about the construction, supervision, operation and maintenance of the refrigerating system, as well as the safety measures to be observed, and the properties and handling of the refrigerant used.
- The general requirement of trained and certified personnel are indicated as below:
 - Knowledge of legislation, regulations and standards relating to flammable refrigerants; and,
 - Detailed knowledge of skills in handling flammable refrigerants, personal protective equipment, refrigerant leakage prevention, handling of cylinders, charging, leak detection, recovery and disposal; and,
 - Ability to understand and to apply in practice the requirements in the national legislation, regulations and Standards; and,
 - Continuously undergo regular and further training to maintain this expertise.
- Air-conditioner piping in the occupied space shall be installed in such a way to protect against accidental damage in operation and service.

Precautions shall be taken to avoid excessive vibration or pulsation to refrigerating piping.

- Ensure protection devices, refrigerating piping and fittings are well protected against adverse environmental effects (such as the danger of water collecting and freezing in relief pipes or the accumulation of dirt and debris).
- Expansion and contraction of long runs piping in refrigerating systems shall be designed and installed securely (mounted and guarded) to minimize the likelihood hydraulic shock damaging the system.
- Protect the refrigerating system from accidental rupture due to moving furniture or reconstruction activities.
- To ensure no leaking, field-made refrigerant joints indoors shall be tightness tested. The test method shall have a sensitivity of 5 grams per year of refrigerant or better under a pressure of at least 0.25 times the maximum allowable pressure (>1.04 MPa, max 4.15 MPa). No leak shall be detected.

CAUTION

- General
 - Must ensure the installation of pipe-work shall be kept to a minimum. Avoid use dented pipe and do not allow acute bending.
 - Must ensure that pipe-work shall be protected from physical damage.
 - Must comply with national gas regulations, state municipal rules and legislation. Notify relevant authorities in accordance with all applicable regulations.
 - Must ensure mechanical connections be accessible for maintenance purposes.
 - In cases that require mechanical isolation, ventilation openings shall be kept clear of obstruction.
 - When disposal of the product, do follow to the precautions in #11 and comply with national regulations.
 - In case of field charge, the effect on refrigerant charge caused by the different pipe length has to be quantified, measured and labelled.
 - Always contact to local municipal offices for proper handling.
 - Ensure the actual refrigerant charge is in accordance with the room size within which the refrigerant containing parts are installed.
 - Ensure refrigerant charge not to leak.
 - Wear appropriate protective equipment, including respiratory protection, as conditions warrant.
 - Keep all sources of ignition and hot metal surfaces away.

2-1. Qualification of workers

- Any qualified person who is involved with working on or breaking into a refrigerant circuit should hold a current valid certificate from an industry-accredited assessment authority, which authorizes their competence to handle refrigerants safely in accordance with an industry recognized assessment specification.
- Service shall only be performed as recommended by the equipment manufacturer. Maintenance and repair requiring the assistance of other skilled personnel shall be carried out under the supervision of the person competent in the use of flammable refrigerants.
- Service shall be performed only as recommended by the manufacturer.
- The system is inspected, regularly supervised and maintained by a trained and certified service personnel who is employed by the person user or party responsible.

2-2. Checks to the area

- Prior to beginning work on systems containing flammable refrigerants, safety checks are necessary to ensure that the risk of ignition is minimised. For repair to the refrigerating system, the precautions in #2-3 to #2-7 must be followed before conducting work on the system.

2-3. Work procedure

- Work shall be undertaken under a controlled procedure so as to minimize the risk of a flammable gas or vapour being present while the work is being performed.

2-4. General work area

- All maintenance staff and others working in the local area shall be instructed and supervised on the nature of work being carried out.
- Avoid working in confined spaces. Always ensure away from source, at least 2 meter of safety distance, or zoning of free space area of at least 2 meter in radius.

2-5. Checking for presence of refrigerant

- The area shall be checked with an appropriate refrigerant detector prior to and during work, to ensure the technician is aware of potentially flammable atmospheres.
- Ensure that the leak detection equipment being used is suitable for use with flammable refrigerants, i.e. non sparking, adequately sealed or intrinsically safe.
- In case of leakage/spillage happened, immediately ventilate area and stay upwind and away from spill/release.
- In case of leakage/spillage happened, do notify persons down wind of the leaking/spill, isolate immediate hazard area and keep unauthorized personnel out.

2-6. Presence of fire extinguisher

- If any hot work is to be conducted on the refrigerating equipment or any associated parts, appropriate fire extinguishing equipment shall be available at hand.
- Have a dry powder or CO₂ fire extinguisher adjacent to the charging area.

2-7. No ignition sources

- No person carrying out work in relation to a refrigerating system which involves exposing any pipe work that contains or has contained flammable refrigerant shall use any sources of ignition in such a manner that it may lead to the risk of fire or explosion. He/She must not be smoking when carrying out such work.
- All possible ignition sources, including cigarette smoking, should be kept sufficiently far away from the site of installation, repairing, removing and disposal, during which flammable refrigerant can possibly be released to the surrounding space.
- Prior to work taking place, the area around the equipment is to be surveyed to make sure that there are no flammable hazards or ignition risks.
- No "Smoking" signs shall be displayed.

2-8. Ventilated area

- Ensure that the area is in the open or that it is adequately ventilated before breaking into the system or conducting any hot work.
- A degree of ventilation shall continue during the period that the work is carried out.
- The ventilation should safely disperse any released refrigerant and preferably expel it externally into the atmosphere.

2-9. Checks to the refrigerating equipment

- Where electrical components are being changed, they shall be fit for the purpose and to the correct specification.
- At all times the manufacturer's maintenance and service guidelines shall be followed.
- If in doubt consult the manufacturer's technical department for assistance.
- The following checks shall be applied to installations using flammable refrigerants.
 - The actual refrigerant charge is in accordance with the room size within which the refrigerant containing parts are installed.
 - The ventilation machinery and outlets are operating adequately and are not obstructed.
 - An in-plant refrigerating circuit is being used, the secondary circuit shall be checked for the presence of refrigerant.
 - Marking to the equipment control panel to be visible and legible. Markings and signs that are illegible shall be corrected.
 - Refrigerating pipe or components are installed in a position where they are unlikely to be exposed to any substance which may corrode refrigerant containing components, unless the components are constructed of materials which are inherently resistant to being corroded or are properly protected against being so corroded.

2-10. Checks to electrical devices

- Repair and maintenance to electrical components shall include initial safety checks and component inspection procedures.
- Initial safety checks shall include but not limit to:
 - That capacitors are discharged; this shall be done in a safe manner to avoid possibility of sparking
 - That there is no live electrical current and wiring are exposed while charging, recovering or purging the system.
 - That there is continuity of earth bonding.
- At all times the manufacturer's maintenance and service guidelines shall be followed.
- If in doubt consult the manufacturer's technical department for assistance.
- If a fault exists that could compromise safety, then no electrical supply shall be connected to the circuit until it is satisfactorily dealt with.
- If it fails cannot be corrected immediately but it is necessary to continue operation, an adequate temporary solution shall be used.
- The owner of the equipment must be informed or reported so all parties are advised thereafter.

3. Repairs to sealed components

- During repairs to sealed components, all electrical supplies shall be disconnected from the equipment being worked upon prior to any removal of sealed covers, etc.
- If it is absolutely necessary to have an electrical supply to equipment during servicing, then a permanently operating form of leak detection shall be located at the most critical point to warn of a potentially hazardous situation.
- Particular attention shall be paid to the following to ensure that by working on electrical components, the casing is not altered in such a way that the level of protection is affected. This shall include damage to cables, excessive number of connections, terminals not made to original specification, damage to seals, incorrect fitting of glands, etc.
- Ensure that apparatus is mounted securely.
- Ensure that seals or sealing materials have not degraded such that they no longer serve the purpose of preventing the ingress of flammable atmospheres.
- Replacement parts shall be in accordance with the manufacturer's specifications.

NOTE:

- The use of silicon sealant may inhibit the effectiveness of some types of leak detection equipment.
- Intrinsically safe components do not have to be isolated prior to working on them.

4. Repair to intrinsically safe components

- Do not apply any permanent inductive or capacitance loads to the circuit without ensuring that this will not exceed the permissible voltage and current permitted for the equipment in use.
- Intrinsically safe components are the only types that can be worked on while live in the presence of a flammable atmosphere.
- The test apparatus shall be at the correct rating.
- Replacement components only with parts specified by the manufacturer. Unspecified parts by manufacturer may result ignition of refrigerant in the atmosphere from a leak.

5. Cabling

- Check that cabling will not be subject to wear, corrosion, excessive pressure, vibration, sharp edges or any other adverse environmental effects.
- The check shall also take into account the effects of aging or continual vibration from sources such as compressors or fans.

6. Detection of flammable refrigerants

- Under no circumstances shall potential sources of ignition be used in the searching or detection of refrigerant leaks.
- A halide torch (or any other detector using a naked flame) shall not be used.
- The following leak detection methods are deemed acceptable for all refrigerant systems.
 - No leaks shall be detected when using detection equipment with a sensitivity of 5 grams per year of refrigerant or better under a pressure of at least 0.25 times the maximum allowable pressure (>1.04 MPa, max 4.15 MPa) for example, a universal sniffer.
 - Electronic leak detectors may be used to detect flammable refrigerants, but the sensitivity may not be adequate, or may need re-calibration.
 - Detection equipment shall be calibrated in a refrigerant-free area.
 - Ensure that the detector is not a potential source of ignition and is suitable for the refrigerant used.
 - Leak detection equipment shall be set at a percentage of the LFL of the refrigerant and shall be calibrated to the refrigerant employed and the appropriate percentage of gas (25 % maximum) is confirmed.
 - Leak detection fluids are also suitable for use with most refrigerants, for example, bubble method and fluorescent method agents. The use of detergents containing chlorine shall be avoided as the chlorine may react with the refrigerant and corrode the copper pipe-work.
 - If a leak is suspected, all naked flames shall be removed/extinguished.
 - If a leakage of refrigerant is found which requires brazing, all of the refrigerant shall be recovered from the system, or isolated (by means of shut off valves) in a part of the system remote from the leak. The precautions in #7 must be followed to remove the refrigerant.

7. Removal and evacuation

- When breaking into the refrigerant circuit to make repairs – or for any other purpose – conventional procedures shall be used.
- However, it is important that best practice is followed since flammability is a consideration. The following procedure shall be adhered to:
 - Remove refrigerant -> purge the circuit with inert gas -> evacuate -> purge with inert gas -> open the circuit by cutting or brazing

- The refrigerant charge shall be recovered into the correct recovery cylinders.
- The system shall be purged with OFN to render the appliance safe. (remark: OFN = oxygen free nitrogen, type of inert gas)
- This process may need to be repeated several times.
- Compressed air or oxygen shall not be used for this task.
- Purging shall be achieved by breaking the vacuum in the system with OFN and continuing to fill until the working pressure is achieved, then venting to atmosphere, and finally pulling down to a vacuum.
- This process shall be repeated until no refrigerant is within the system.
- When the final OFN charge is used, the system shall be vented down to atmospheric pressure to enable work to take place.
- This operation is absolutely vital if brazing operations on the pipe work are to take place.
- Ensure that the outlet for the vacuum pump is not close to any potential ignition sources and there is ventilation available.

8. Charging procedures

- In addition to conventional charging procedures, the following requirements shall be followed.
 - Ensure that contamination of different refrigerants does not occur when using charging equipment.
 - Hoses or lines shall be as short as possible to minimize the amount of refrigerant contained in them.
 - Cylinders shall be kept in an appropriate position according to the instructions.
 - Ensure that the refrigerating system is earthed prior to charging the system with refrigerant.
 - Label the system when charging is complete (if not already).
 - Extreme care shall be taken not to over fill the refrigerating system.
- Prior to recharging the system it shall be pressure tested with OFN (refer to #7).
- The system shall be leak tested on completion of charging but prior to commissioning.
- Follow up leak test shall be carried out prior to leaving the site.
- Electrostatic charge may accumulate and create a hazardous condition when charging and discharging the refrigerant.
- To avoid fire or explosion, dissipate static electricity during transfer by grounding and bonding containers and equipment before charging/discharging.

9. Decommissioning

- Before carrying out this procedure, it is essential that the technician is completely familiar with the equipment and all its details.
- It is recommended good practice that all refrigerants are recovered safely.
- Prior to the task being carried out, an oil and refrigerant sample shall be taken in case analysis is required prior to re-use of recovered refrigerant.
- It is essential that electrical power is available before the task is commenced.
 - Become familiar with the equipment and its operation.
 - Isolate system electrically.
 - Before attempting the procedure ensure that:
 - mechanical handling equipment is available, if required, for handling refrigerant cylinders;
 - personal protective equipment is available and being used correctly;
 - the recovery process is completed by a competent person;
 - recovery cylinders conform to the appropriate standards.
 - Pump down refrigerant system, if possible.
 - If a vacuum is not possible, make a manifold so that refrigerant can be removed from various parts of the system.
- Electrostatic charge may accumulate and create a hazardous condition when charging or discharging the refrigerant.
- To avoid fire or explosion, dissipate static electricity during transfer by grounding and bonding containers and equipment before charging/discharging.

- Make sure that cylinder is situated on the scales before recovery takes place.
- Start the recovery machine and operate in accordance with instructions.
- Do not over fill cylinders. (No more than 80 % volume liquid charge).
- Do not exceed the maximum working pressure of the cylinder, even temporarily.
- When the cylinders have been filled correctly and the process completed, make sure that the cylinders and the equipment are removed from site promptly and all isolation valves on the equipment are closed off.
- Recovered refrigerant shall not be charged into another refrigerating system unless it has been cleaned and checked.

- Labeling
 - Equipment shall be labelled stating that it has been de-commissioned and emptied of refrigerant.
 - The label shall be dated and signed.
 - Ensure that there are labels on the equipment stating the equipment contains flammable refrigerant.
- Recovery
 - When removing refrigerant from a system, either for servicing or decommissioning, it is recommended good practice that all refrigerants are removed safely.
 - When transferring refrigerant into cylinders, ensure that only appropriate refrigerant recovery cylinders are employed.
 - Ensure that the correct number of cylinders for holding the total system charge are available.
 - All cylinders to be used are designated for the recovered refrigerant and labelled for that refrigerant (i.e. special cylinders for the recovery of refrigerant).
 - Cylinders shall be complete with pressure relief valve and associated shut-off valves in good working order.
 - Recovery cylinders are evacuated and, if possible, cooled before recovery occurs.
 - The recovery equipment shall be in good working order with a set of instructions concerning the equipment that is at hand and shall be suitable for the recovery of the recovery of flammable refrigerants.
 - In addition, a set of calibrated weighing scales shall be available and in good working order.
 - Hoses shall be complete with leak-free disconnect couplings and in good condition.
 - Before using the recovery machine, check that it is in satisfactory working order, has been properly maintained and that any associated electrical components are sealed to prevent ignition in the event of a refrigerant release. Consult manufacturer if in doubt.
 - The recovered refrigerant shall be returned to the refrigerant supplier in the correct recovery cylinder, and the relevant Waste Transfer Note arranged.
 - Do not mix refrigerants in recovery units and especially not in cylinders.
 - If compressor or compressor oils are to be removed, ensure that they have been evacuated to an acceptable level to make certain that flammable refrigerant does not remain within the lubricant.
 - The evacuation process shall be carried out prior to returning the compressor to the suppliers.
 - Only electric heating to the compressor body shall be employed to accelerate this process.
 - When oil is drained from a system, it shall be carried out safely.

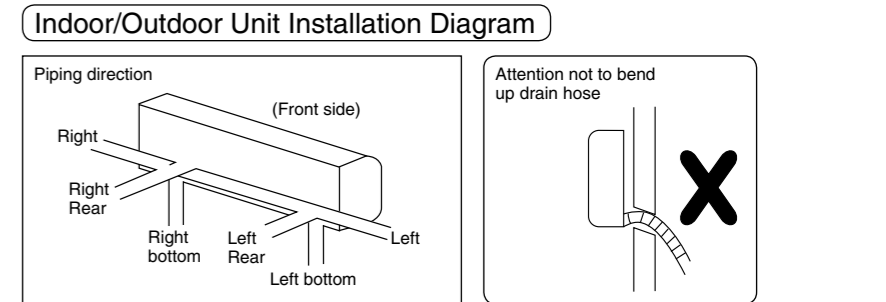
Explanation of symbols displayed on the indoor unit or outdoor unit.

WARNING This symbol shows that this equipment uses a flammable refrigerant. If the refrigerant is leaked, together with an external ignition source, there is a possibility of ignition.

CAUTION This symbol shows that the Installation Manual should be read carefully.

CAUTION This symbol shows that a service personnel should be handling this equipment with reference to the Installation Manual.

CAUTION This symbol shows that there is information included in the Operation Manual and/or Installation Manual.



Attached accessories

No.	Accessories part	Qty.	No.	Accessories part	Qty.
1	Installation plate	1	4	Screw (M4 machine pitched - 30 mm)	3
2	Installation plate fixing screw	5	5	Screw (M4 self tapping - 14 mm)	3
3	Remote Control	1	6	Drain elbow	1

Applicable piping kit	Piping size	
	Gas	Liquid
CZ-3F5, 7BP	9.52 mm (3/8")	6.35 mm (1/4")
CZ-4F5, 7, 10BP	12.7 mm (1/2")	6.35 mm (1/4")
CZ-52F5, 7, 10BP	15.88 mm (5/8")	6.35 mm (1/4")

SELECT THE BEST LOCATION

INDOOR UNIT

- Do not install the unit in excessive oil fume area such as kitchen, workshop and etc.
- There should not be any heat source or steam near the unit.
- There should not be any obstacles blocking the air circulation.
- A place where air circulation in the room is good.
- A place where drainage can be easily done.
- A place where noise prevention is taken into consideration.
- Do not install the unit near the door way.
- Ensure the spaces indicated by arrows from the wall, ceiling, fence or other obstacles.
- Indoor unit of this air conditioner shall be installed in a height of at least 1.8 m.

OUTDOOR UNIT

- If an awning is built over the unit to prevent direct sunlight or rain, be careful that heat radiation from the condenser is not obstructed.
- There should not be any animal or plant which could be affected by hot air discharged.
- Keep the spaces indicated by arrows from wall, ceiling, fence or other obstacles.
- Do not place any obstacles which may cause a short circuit of the discharged air.
- If piping length is over the [piping length for additional gas], additional refrigerant should be added as shown in the table.

Table A

Model	Capacity (HP)	Piping size		Std. Length (m)	Max. Elevation (m)	Min. Piping Length (m)	Max. Piping Length (m)	Additional Refrigerant (g/m)	Piping Length for add. gas (m)	Max. Refrigerant Charge (kg)	Indoor A _{min} (m ²)
		Gas	Liquid								
Z25**	1.0HP	9.52 mm (3/8")	6.35 mm (1/4")	5	15	3	20	10	7.5	1.02	Not applicable (*)
Z35**	1.5HP	9.52 mm (3/8")	6.35 mm (1/4")	5	15	3	20	10	7.5	1.02	Not applicable (*)
Z42**	1.75HP	12.7 mm (1/2")	6.35 mm (1/4")	5	15	3	20	10	7.5	1.10	Not applicable (*)
Z50**	2.0HP	12.7 mm (1/2")	6.35 mm (1/4")	5	15	3	30	15	7.5	1.47	Not applicable (*)
Z71**	2.5HP	15.88 mm (5/8")	6.35 mm (1/4")	5	20	3	30	25	10	1.85	4.46

(*) Systems with total refrigerant charge, m_T, lower than 1.84 kg are not subjected to any room area requirements.

Example: For Z25**
If the unit is installed at 10 m distance, the quantity of additional refrigerant should be 25 g (10-7.5) m x 10 g/m = 25 g.

$$A_{min} = (m_T / (2.5 \times (LFL)^{0.66} \times h_o))^2$$

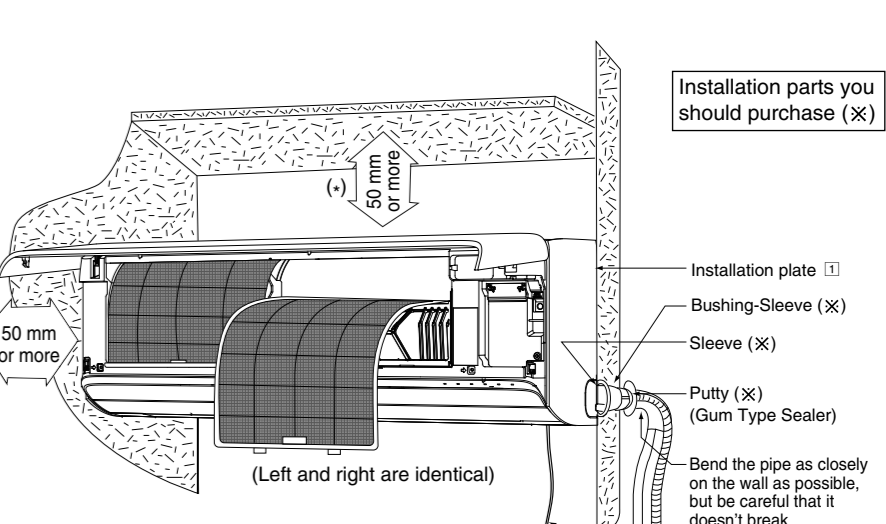
** not less than safety factor margin

A_{min} = Required minimum room area, in m²
m_T = Refrigerant charge in appliance, in kg
LFL = Lower flammability limit (0.307 kg/m³)
h_o = Installation height of the appliance (1.8 m for wall mounted)
SF = Safety factor with a value of 0.75

** The required minimum room area, A_{min}, shall also be governed by the safety factor margin formula below:

$$A_{min} = m_T / (SF \times LFL \times h_o)$$

The higher value shall be taken when determining the room area.

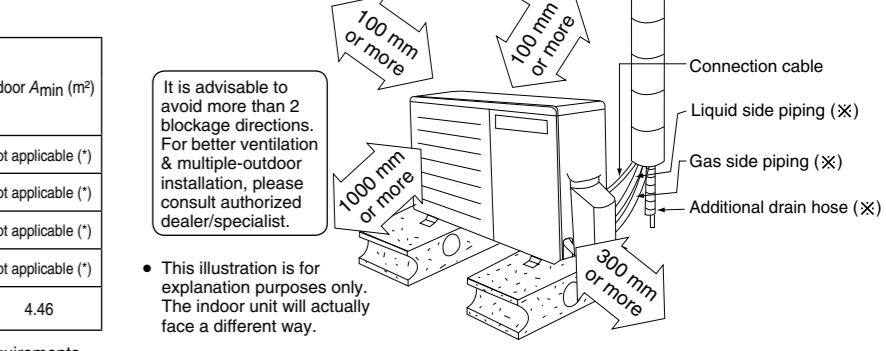


Insulation of piping connections

- Carry out insulation after checking for gas leaks and secure with vinyl tape.

Attaching the remote controller to the wall

Remote controller cable, Screws or screws, Remote controller, Details refer to REMOTE CONTROLLER MOUNTING, INSTALLATION AND CONNECTION.



It is advisable to avoid more than 2 block directions. For better ventilation & multiple-outdoor installation, please contact authorized dealer/specialist.

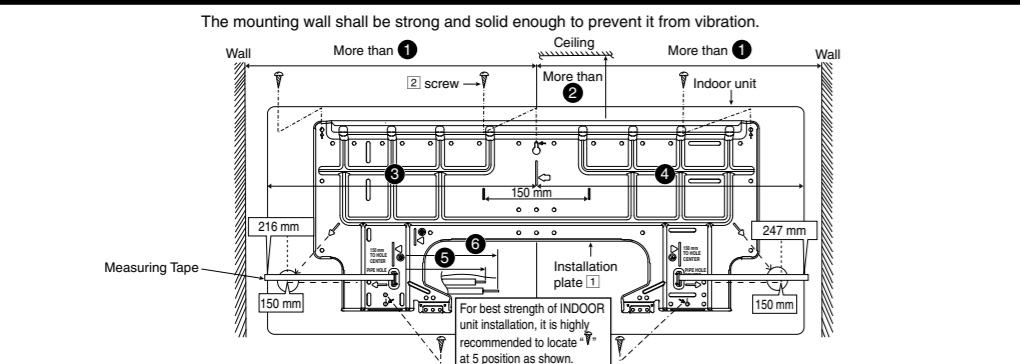
This illustration is for explanation purposes only. The indoor unit will actually face a different way.

INDOOR UNIT

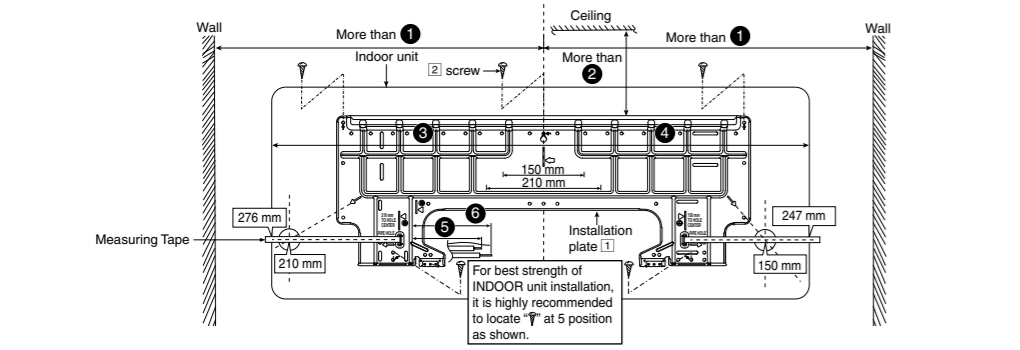
1 SELECT THE BEST LOCATION

(Refer to "Select the best location" section)

2 HOW TO FIX INSTALLATION PLATE



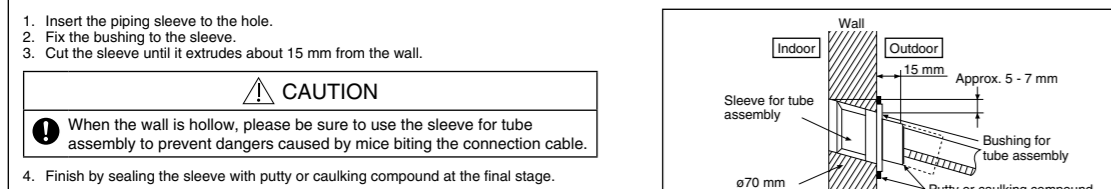
Model	1	2	3	4	5	6
Z25***, Z35***, Z42***	500 mm	70 mm (-)	420 mm	450 mm	113 mm	165 mm



Model	1	2	3	4	5	6
Z50***, Z71***	587 mm	70 mm (-)	537 mm	503 mm	226 mm	278 mm

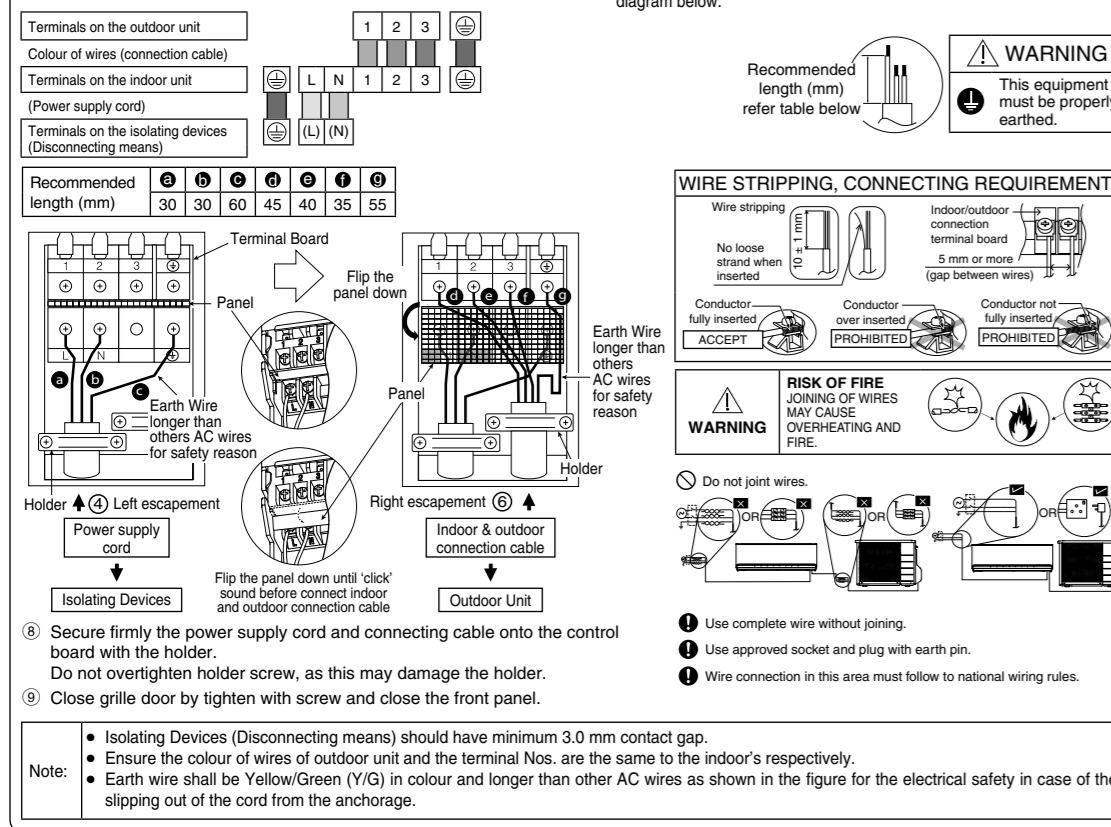
The center of installation plate should be at more than ① at right and left of the wall. The distance from installation plate edge to ceiling should be more than ②. From installation plate center to unit's left side is ③. From installation plate center to unit's right side is ④. ⑤: For left side piping, piping connection for liquid should be about ⑤ from this line. For left side piping, piping connection for gas should be about ⑥ from this line. 1. Mount the installation plate on the wall with 5 screws or more (at least 5 screws). (If mounting the unit on the concrete wall, consider using anchor bolts.) 2. Always mount the installation plate horizontally by aligning the marking-off line with the thread and using a level gauge. 3. Drill the piping hole with ø70 mm hole-core drill. 4. Line according to the left and right side of the installation plate. The meeting point of the extended line is the center of the hole. Another method is by putting measuring tape at position as shown in the diagram above. The hole center is obtained by measuring the distance namely 150 mm for left and right hole respectively (Z25***, Z35***, Z42***) or 210 mm for left hole and 150 mm for right hole (Z50***, Z71***). 5. Drill the piping hole at either the right or the left and the hole should be slightly slanting to the outdoor side.

3 TO DRILL A HOLE IN THE WALL AND INSTALL A SLEEVE OF PIPING

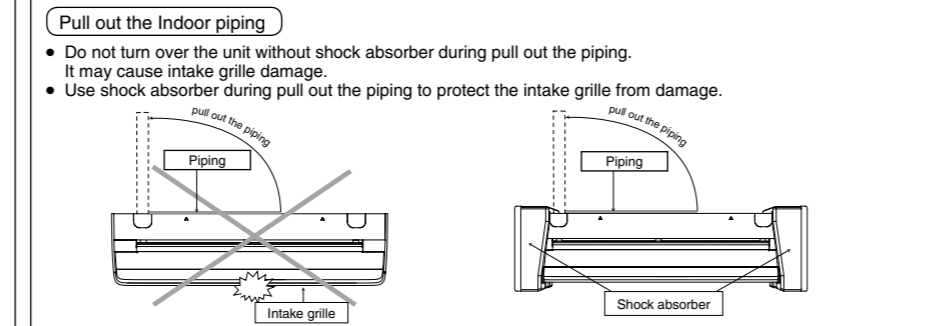


5 CONNECT THE CABLE TO THE INDOOR UNIT

The power supply cord, indoor and outdoor unit connection cable can be connected without removing the front grille. 1. Install the indoor unit on the installing holder that mounted on the wall. 2. Open the front panel and grille door by loosening the screw. 3. Cable connection to the power supply through Isolating Devices (Disconnecting means). 4. Bind all the power supply cord lead wire with tape and route the power supply cord via the left side escapement. 5. Connection cable between indoor unit and outdoor unit shall be approved polychloroprene sheathed 4 x 1.5 mm² (1.0 - 1.75HP) or 4 x 2.5 mm² (2.0 - 2.5HP) flexible cord, type designation 60245 IEC 57 or heavier cord. 6. Bind all the indoor and outdoor connection cable with tape and route the connection cable via the right side escapement. 7. Remove the tapes and connect the power supply cord and connection cable between indoor unit and outdoor unit according to the diagram below. 8. Do not use joint power supply cord. Replace the wire if the existing wire (from concealed wiring, or otherwise) is too short. 9. In unavoidable case, joining of power supply cord between isolating devices and terminal board of air conditioner shall be done socket and plug rated 15/16 A (1.0 - 1.75HP) or 16 A (2.0HP) or 20 A (2.5HP). Wiring work to both socket and plug must follow to national wiring standard.



4 INDOOR UNIT INSTALLATION



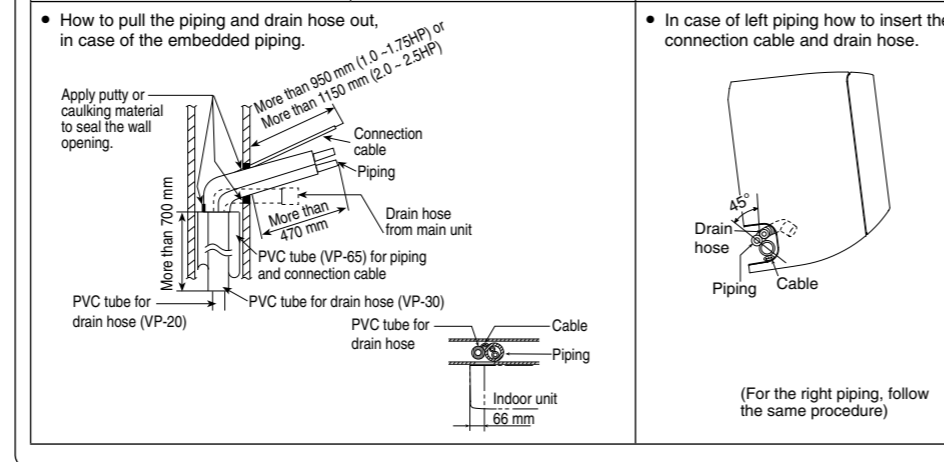
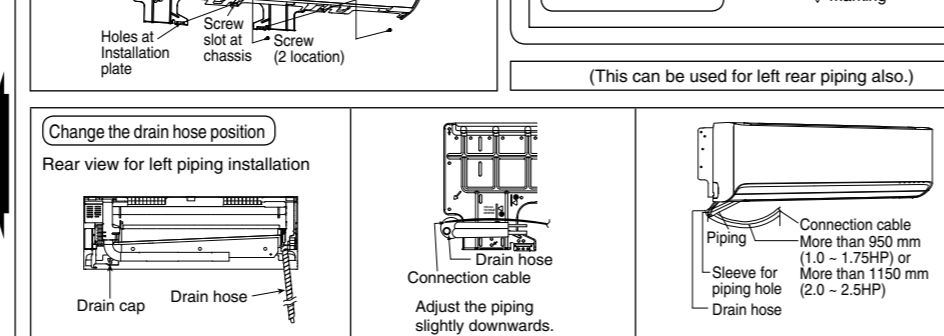
1. FOR THE RIGHT REAR PIPING
Step-1 Pull out the Indoor piping
Step-2 Install the Indoor Unit
Step-3 Secure the Indoor Unit
Step-4 Insert the power supply cord and connection cable

2. FOR THE RIGHT AND RIGHT BOTTOM PIPING
Step-1 Pull out the Indoor piping
Step-2 Install the Indoor Unit
Step-3 Insert the power supply cord and connection cable
Step-4 Secure the Indoor Unit

3. FOR THE EMBEDDED PIPING
Step-1 Change the drain hose position
Step-2 Bend the embedded piping
Step-3 Pull the connection cable into Indoor Unit
Step-4 Cut and flare the embedded piping
Step-5 Install the Indoor Unit
Step-6 Connect the piping
Step-7 Insulate and finish the piping
Step-8 Secure the Indoor Unit

4. HOW TO TAKE OUT THE FRONT GRILLE
Step-1 Pull down 3 caps at the bottom, then remove 3 mounting screws.
Step-2 Open front panel.
Step-3 Remove 3 mounting screws on the front grille.
Step-4 Slide the 4 lock knobs on the upside of front grille to unlock position.
Step-5 Pull the front grille towards you to remove the front grille.

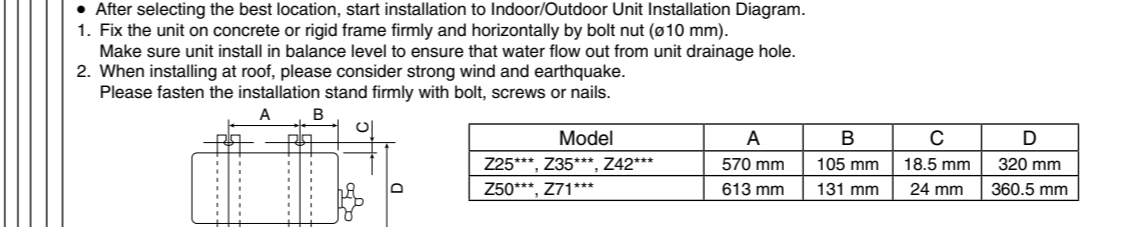
5. HOW TO TAKE OUT THE FRONT GRILLE (continued)
Step-6 Push the lower left and right side of the unit against the installation plate until hooks engages with their slot (sound click).
Step-7 Push the lower left and right side of the unit against the installation plate until hooks engages with their slot (sound click).
Step-8 Push the lower left and right side of the unit against the installation plate until hooks engages with their slot (sound click).



1 SELECT THE BEST LOCATION

(Refer to "Select the best location" section)

2 INSTALL THE OUTDOOR UNIT



After selecting the best location, start installation to Indoor/Outdoor Unit Installation Diagram. 1. Fix the unit on concrete or rigid frame firmly and horizontally by bolt nut (ø10 mm). Make sure unit install in balance level to ensure that water flow out from unit drainage hole. 2. When installing at roof, please consider strong wind and exhaust gas. Please fasten the installation stand firmly with bolt, screws or nails.

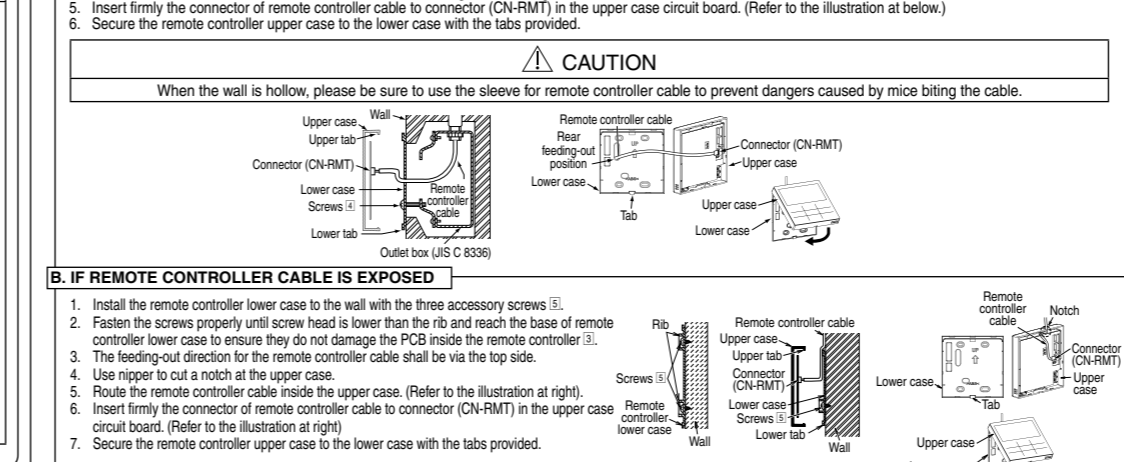
3. CONNECT THE PIPING
Connecting The Piping to Indoor
For connection joint of all models
Please make flare after inserting flare nut (locate at joint portion of tube assembly) onto the copper pipe. (In case of using long piping)
Connect the piping
Align the center of piping and sufficiently tighten the flare nut with flaring wrench.
Further tighten the flare nut with torque wrench in specified torque as stated in the table.

5. CONNECT THE CABLE TO THE OUTDOOR UNIT
1. Remove the control board cover from the unit by loosening the screw.
2. Connection cable between indoor unit and outdoor unit shall be approved polychloroprene sheathed 4 x 1.5 mm² (1.0 - 1.75HP) or 4 x 2.5 mm² (2.0 - 2.5HP) flexible cord, type designation 60245 IEC 57 or heavier cord. Do not use joint connection cable. Replace the wire if the existing wire (from concealed wiring, or otherwise) is too short.
3. Secure the cable onto the control board with the holder (clammer).
4. Attach the control board cover back to the original position with screw.
5. For wire stripping and connection requirement, refer to instruction ⑤ of indoor unit.

6. PIPING INSULATION
1. Please cut out insulation at pipe connection portion as mentioned in Indoor/Outdoor Unit Installation Diagram. Please wrap the insulated piping end to prevent water from going inside the piping.
2. If drain hose or connecting piping is in the room (where dew may formed), please increase the insulation by using POLY-E-FOAM with thickness 6 mm or above.
3. Please make flare after inserting the flare nut onto the copper pipes.

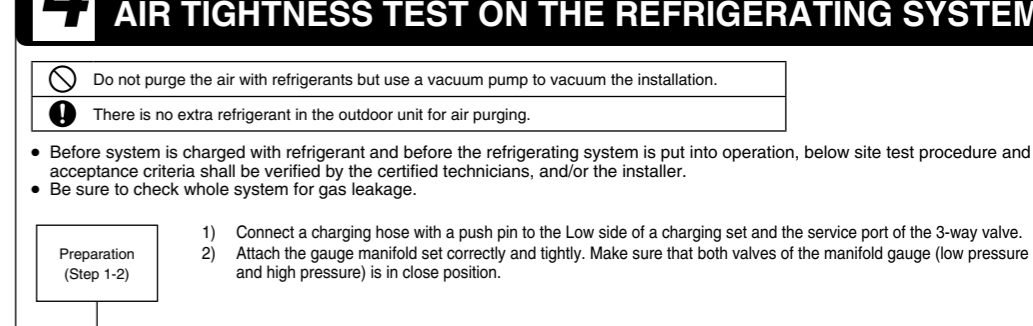
CUTTING AND FLARING THE PIPING
1. Please cut using pipe cutter and then remove the burrs.
2. Remove the burrs by using reamer. If burrs is not removed, gas leakage may be caused. Turn the piping end down to avoid the metal powder entering the pipe.
3. Please make flare after inserting the flare nut onto the copper pipes.

REMOTE CONTROLLER MOUNTING, INSTALLATION AND CONNECTION
1. Embed an outlet box (JIS C-8336) into the wall. Outlet box maybe purchased separately. Medium size square outlet box (obtain locally) Part No. DS2744 (Panasonic Co., Ltd.) or equivalent.
2. Secure the remote controller lower case to the outlet box with the three accessory screws. Make sure that the lower case is flat against the wall at this time, with no bending.
3. Pass the remote controller cable into the box.
4. Route the remote controller cable inside the lower case through rear leading-out direction.
5. Insert firmly the connector of remote controller cable to connector (CN-RMT) in the upper case circuit board. (Refer to the illustration at below.)
6. Secure the remote controller upper case to the lower case with the tabs provided.



OUTDOOR UNIT

4 AIR TIGHTNESS TEST ON THE REFRIGERATING SYSTEM



1. Connect a charging hose with a push pin to the Low side of a charging set and the service port of the 3-way valve. 2. Attach the gauge manifold set correctly and tightly. Make sure that both valves of the manifold gauge (low pressure and high pressure) is in close position.

3. Connect the center hose of the manifold gauge to a vacuum pump. 4. Turn on the power switch of the vacuum pump, then turn open the low side manifold gauge valve and make sure that the needle in the gauge moves from 0 cmHg (0 MPa) to -76 cmHg (-0.1 MPa) or vacuum unit 500 microns is achieved. This process continues for approximately ten minutes. Then close the low side manifold gauge valve.

5. Remove the vacuum pump from the centre hose and connect the center hose to cylinder of any applicable inert gas as test gas. 6. Charge test gas into the system and wait until the pressure within the system to reach min. 1.04 MPa (10.4 barg). 7. Wait and monitor the pressure reading on the gauges. Check if there is any pressure drop. Waiting time depends on the size of the system. 8. If there is any pressure drop, perform step 9-12. If there is no pressure drop, perform step 13.

9. Use Gas Leak Detector to check for leaks. Must use the detection equipment with a sensitivity of 5 grams per year of test gas or better. 10. Move the probe along the air conditioning system to check for leaks, and mark for repair. 11. Any leak detected and marked shall be repaired. 12. After repair, repeat evacuation steps 3-4 and tightness test steps 5-7. Check the pressure drop as in step 8.

13. If no leak, Recover the test gas. Perform evacuation of steps 3-4. Then proceed to step 14. 14. Disconnect the charging hose from the service port of the 3-way valve. 15. Tighten the service port caps of the 3-way valve at a torque of 18 Nm with a torque wrench. 16. Remove the valve caps of both of the 2-way valve and 3-way valve. 17. Open both of the valves, using a hexagonal wrench (4 mm). It is recommended to allow refrigerant slowly flow into the refrigerant system to prevent refrigerant freezing. Slightly open 2-way valve for 5 seconds then close the valve. Repeat this action for 3 cycles then fully open the valve fully. 18. Mount back the valve caps onto the 2-way valve and the 3-way valve to complete this process.

HOW TO TAKE OUT FRONT GRILLE
Please follow the steps below to take out front grille if necessary such as when installing or servicing.
1. Pull down 3 caps at the bottom, then remove 3 mounting screws. 2. Open front panel. 3. Remove 3 mounting screws on the front grille. 4. Slide the 4 lock knobs on the upside of front grille to unlock position. 5. Pull the front grille towards you to remove the front grille.

AUTO SWITCH OPERATION
The below operations will be performed by pressing the "AUTO" switch.
1. AUTO OPERATION MODE
The Auto operation will be activated immediately once the Auto Switch is pressed and release within 5 sec. 2. TEST RUN OPERATION (FOR PUMP DOWN/SERVICING PURPOSE)
The Test Run operation will be activated if the Auto Switch is pressed continuously for more than 5 sec. to below 8 sec. 3. HEATING TRIAL OPERATION
Press the "AUTO" switch continuously for more than 8 sec. and release when a "pep pep" sound is occurred at eight sec. (However, a "pep" sound is occurred at fifth sec.) Then press Remote controller "AC Reset" button once. Remote controller signal will activate operation to force heating mode. 4. REMOTE CONTROLLER RECEIVING SOUND OFF
The ON/OFF of Remote controller receiving sound can be change over by the following steps: a) Press "AUTO" switch continuously for more than 16 sec. to below 21 sec. A "pep", "pep", "pep" sound will occur at the sixteenth sec. b) Press the "AC Reset" button once, "pep" sound will occur indicates that Remote controller receiving sound setting mode is activated. c) Press "AUTO" switch again. Everytime "AUTO" switch is pressed (within 60 sec. interval), Remote controller receiving sound status will be reversed between ON and OFF. Long "pep" sound indicates that Remote controller receiving sound is ON. Short "pep" sound indicates that Remote controller receiving sound is OFF.

VAROITUS!

R32 KYLMAINE

Tämä ilmastointilaitte sisältää ja käyttää R32-kylmäainetta.

TÄMÄN TUOTTEEN ASENNUKSEN JA HUOLLON SAA SUORITTAA VAIN VALTUUTETTU HENKILÖSTÖ.
Tutustu kansallisiin, alueellisiin ja paikallisiin säännöksiin, lakeihin, asennus- ja käyttöohjeisiin ennen tämän tuotteen asennusta, ylläpitoa ja/tai huoltoa.

TURVALLISUUTEEN LIITTYVIÄ VAROITUKSIA

- Lue huolellisesti alla oleva "TURVALLISUUTEEN LIITTYVIÄ VAROITUKSIA" ennen asennusta.
- Sähkötyöt on annettava suoritettaviksi ammattitaitoiselle sähköasentajalle. Varmista, että piistokäytty ja päävirtapiiri sopivat asennettavaan malliin.
- Älä esitellyt varoituksia on noudettava tarkasti, koska ne liittyvät omaan turvallisuuteesi. Ällä olemissa esityksessä selitellään eri turvallisuusohjeissa käytettyjen merkkien tarkoitus. Ohjeiden huomiointi jättäminen ja siitä johtuva virheellinen asennus aiheuttaa sekä henkilö- että ainevahinkoja. Vaaran vakavuus on lueteltu ja merkitty seuraavasti.

- VAARA** Tämä merkki varoittaa kuoleman tai vakavan loukkautumisen vaarasta.
- VAROITUS!** Tämä merkki varoittaa henkilö- tai ainevahinkojen vaarasta.

Seuraavat kohdat on luokiteltu esitettyjä merkkejä käyttäen:

	Symboli vaikeoisella taustalla ilmaisee, että kohde on kiellettyä suoritettavaksi toimenpiteeseen.
	Merkki, jolla on tumma tausta, viittaa ehdottomasti suoritettavaan tehtävään tai toimenpiteeseen.

- Asennuksen jälkeen koeaia laite varmistukseksi, että toimintahäiriöitä ja vikoja ei esiinny. Sen jälkeen seltä käyttäjälle ohjeiden mukainen laitteen käyttö ja huolto. Muistuta asiakasta siitä, että käyttöohjeet tulisi säilyttää tulevaa käyttöä varten.

VAARA

- Älä käytä muita kuin valmistajan suosittelema menelmiä sulatusproessin kiihdyttämiseksi tai puhdistukseksi. Mikä tahansa sovelluttoman menetelmä tai soveltumattomien materiaalien käyttö voi aiheuttaa suoraan, puhkeamisen ja vakavan loukkautumisen.
- Älä asenna ulkoilaitetta parvekkeen kalteen läheisyyteen. Jos ilmastointilaitteen ulko-osa asennetaan kerrostan parvekkeelle, apsi saattaa kivetä sen päälle ja kaateta ylä ja aiheuttaa tapaturman.
- Älä käytä lämmetintön johto muunnelta johtoa, läntäntöhoita tai viransyöttö-johtoa. Ällä jaa yksittäisiä pistotrasia muille sähkölaitteille. Huono liitäntä, huono eristys tai ylivirta voi aiheuttaa sähköiskun tai tulipalon.
- Ällä sido virtajohtoa riippuun. Virtajohto saattaa kuumentaa liian.
- Ällä laita sormaa tai muita kohteita yksikön sisään nopeasti pyörivän tuulettimen vaurioitumisen välttämiseksi.
- Ällä istu tai astu laitteen päälle, koska voit vahingoissa pudota.
- Pidä muovista (pakkausmateriaalia) pienten lasten ulottumattomissa, koska se voi tarttua nenän ja suun päälle estäen hengityksen.

- Asennettaessa tai sijaitessa ilmaosaliinlaitte uudelleen, ällä anna minkään muun aineen kuin määrätyn kylmäaineen, esim. ilman päästä sekoittumaan jäähdytysjaksoon (puhkistus). Ilman sekoittuminen voi aiheuttaa epänormaalin korkeaa painetta jäähdytysjaksoon ja näin seurauksena voi olla räjähdys, tapaturma jne.
- Ällä puhkaase älläkö pota laiteita, sillä se on paineistettu. Ällä ahista laiteita kuumuudelle, leikelle, kiponille tai muille syttymisaihteille. Muuton seurauksena voi olla räjähdys, joka aiheuttaa loukkautumisen tai kuoleman.

- Ällä vaihda muun tyyppiseen tai lisää muita kuin määrätyn tyyppistä jäähdytysainetta. Se saattaa aiheuttaa tuotteen vahingoittumisen tai halkeamisen, tai loukkautumisen jne.

- Käytä R32/R410A-mallin kanssa alle nimonaan tarkoitettuja putkia, kierrellimiä ja työkaluja. Olemassa olevien (R22) putkien, liittimien ja työkalujen käyttö saattaa aiheuttaa epänormaalin korkean paineen jäähdytysainevirtauksessa (puhkossessa) ja saattaa johtaa räjähdyksen ja henkilövahinkoihin.
- R32- ja R410A-kylmäainetta käytettäessä voidaan käyttää samaa ulkoiskokoon kierrellimiä ja putkia.
- Koska R32/R410A-kylmäainetta käytetään mallien toimintapaine on R22-kylmäainetta käytävällä malla korkeampi, suosittelemme, että ulkoiskokoon puolet putket ja kierrellimet korvataan näille kylmäainelle tarkoitelluilla osilla.
- Jos oletmassa olevien putkien kääntäminen on välttämätöntä, noudata kohdassa "OLEMASSA OLEVIEN ILMAOSALIINPUUKTIEN KÄYTTÖ" annettuja ohjeita.
- R32/R410A-kylmäaineen kanssa käytettävien kupariputkien pakkausten on oltava yllä 0,8 mm. Ällä koskaan käytä 0,8 mm ohuempia kupariputkia.
- On suositeltavaa, että jäädytönsyön määrä jää alle 40 mg/10 m.

- Asennuksen saa suorittaa vain jälleennytyä tai alan ammattilainen. Jos käyttää suoritaa asennuksen väärin, voi se aiheuttaa vesivuotoja, sähköiskuja tai tulipalon.

- Kun jäähdytysjärjestelmää tehdään töitä, noudata ehdottomasti näitä asennusohjeita. Mikäli asennus on virheellinen, sillä saattaa seurata vesivuoto, sähköisku tai tulipalo.

- Käytä valmistajan toimittamia lisälaitteita ja määritelmää osia asennettaessa liitteiden. Muiden osien käyttäminen saattaa aiheuttaa yksikön putoamisen, vesivuotoja, sähköiskun tai tulipalon.

- Asenna laite kestävästi ja vakaaseen paikkaan, joka pystyy kestämään laitteen painon. Mikäli asennuspaikka on liian heikko tai asennus ei ole suoritetu oikein, laite saattaa pudota ja aiheuttaa henkilövahinkoja.

- Noudata sähköiskossa kansallisia säädöksiä, lakeja ja tätä asennusohjetta. Sruun tulee käyttää vain yhtä pistoketta ja eristettyä virtapiiriä. Mikäli virtapiirin kapaasteit on rittämättä näitä pistokkeita on vika, sillä saattaa aiheuttaa sähköisku tai tulipalo.

- Ällä käytä sisälän lähtöjohtoa / ulkoilaiton yhteyttäjohtoa. Käytä määrättyä sisä-ulkolaitteita kaapelia, katso ohjeita kohdassa "LITÄ JOHTO SISÄLÄITTEESEEN" ja liitä ne tiukasti sekä sisälaitteissa että ulkona. Minimi kaapeli etien, ette liittimen kohdasta ulkoisia voimia. Väärä liitäntä tai kinnitys aiheuttaa liittimen ylikuumentumisen tai tulipalon.

- Johdot on asetettava oikein paikalleen, jotta ohjauksien kansi voidaan kiinnittää kunnolla. Jos ohjauksien kansi ei ole oikeassa paikassa, sillä saattaa seurata tulipalo tai sähköisku.

- Asennuksen yhteydessä tämä laiteisto on varustettava masuotokäyttöisellä (ELCB) tai jäännösvirtalaitteella (RCD), jonka herkkyyden on 30 mA / 0,1 s tai alle. Muuten sillä saattaa aiheuttaa sähköisku tai tulipalo, jos laitteisto tai eristys ovat epäluotussa.

- Asenna jäähdytysputkito tarkoituksenmukaisesti ennen kompressorin käynnistämistä. Kompressorin käyttö ilman jäähdytysputkiston asentamista ja avoimen venttiilin käyttö voi aiheuttaa ilman iruun sisään, epänormaalin korkeaa painetta jäähdytysjaksoon ja näin seurauksena voi olla räjähdys, tapaturma jne.

- Alaspumpunvaihdossa sammuta kompressorin ennen jäähdytysjaksosta poistoa. Jäähdytysputkiston irouta käynnä aikana sekä venttiilin avaamisen käytön aikana voi aiheuttaa voi aiheuttaa epänormaalin korkeaa painetta jäähdytysjaksoon ja näin seurauksena voi olla räjähdys, tapaturma jne.

- Kiiristä kierrepukien mutteri vääntämällä käsitellen estävällä tavalla. Mikäli kierrepukien mutteri on ylikiristetty, se saattaa muuttua pitkän ajan kuluksa ja näin aiheuttaa jäähdytyskaasun vuotoon.

- Asennuksen päätyttyä tarkista, että laitteistoissa on vuoto jäähdytyskaasua. Jäähdytyskaasun vuoto voi johtaa myrkyllisen kaasun muodostumiseen, jos jäähdytyskaasu alituu tullele.

- Mikäli laitteisto vuotaa jäähdytyskaasua sen toiminnan aikana, tuuleta tiloja. Jäähdytyskaasun vuoto voi johtaa myrkyllisen kaasun muodostumiseen, jos jäähdytyskaasu alituu tullele.

- Huomaa, että kylmäainetta ei saa olla heijaa.

- Tämä laiteisto on maadoitettava kunnolla. Maadoitinta ei saa kiinnittää kaasu- tai vesiputkeen, eikä ulkosenjohtamien tai puhelimen maadoitimen.

- Muuten sillä saattaa aiheuttaa sähköisku, jos laitteisto tai eristys ovat epäluotussa.

VAROITUS!

- Ällä sijoita laiteita paikkaan, missä helposti syttyvän kaasun vuoto saattaa tapahtua. Vuodosta johtuva kaasun kerääntyminen liian läheisyyteen saattaa aiheuttaa tulipalon.

- Estä nesteen tai höyryn pääsy kokoojakoihin ja viemäreihin, koska höyry on ilmaa raskaampaa ja saattaa muodostaa tukahduttavan imakehän.

- Ällä päästä jäähdytettä ulos putkikeskukseen aikana, jälleasennuksen tai jäähdytysjärjestelmän korjauksien aikana. Vano nestemäistä jäähdytysainetta, sillä se saattaa aiheuttaa pakkauspennuremia.

- Ällä asenna laiteita pyykkipuun tai muihin sellaisiin tiloihin, joiden katosta saattaa tipua vettä jne.

- Ällä koske terävän alumiinisen jäähdytyspiirin, sillä terävät osat voivat aiheuttaa loukkautumisen.

- Asenna tyhjennysputket asennusoppaassa esitellyllä tavalla. Mikäli tyhjennys on puutteellinen, huoneeseen saattaa vuotaa vettä, ja irtaimisto saattaa vaurioitua.

- Sijoita laite helpokkäälyiseen paikkaan, missä huolto/työt on helppo suorittaa.

- Tämän ilmastointilaitteen virheellisen virallistuksessa.

- Käytä virtajohtoa 3 x 1,5 mm² (1,0 - 1,75HP), 3 x 2,5 mm² (2,0 - 2,5HP), tyyppimääritys 60245 IEC 57 tai paksumpi. Kyllä ilmastointilaitteen virtajohto pistotrasaan yhtenäisä seuraavista tavoista.

- Pistotrasan päällä olea helpokkäälyssä pakkaassa, jotta virta voidaan siirtää laitteesta häälläntänsä.

- Josakin maassa ilmastointilaitteen pystyy kytkemään erilliseen virtalaitteeseen on kielletty.

- Virtalaitteen liittäminen virtapistoketta käynten.
- Käytä laitteen liittäminen hyväksytyä 15/16 A (1,0 - 1,75HP), 16 A (2,0HP) tai 20 A (2,5HP) pistoketta, jossa on maadoitusjohdin.

- Virtalaitteen liittäminen kaapelituen pystyvä kytkemistä varten.
- Käytä pystyvän liittäminen hyväksytyä 16 A (1,0 - 2,0HP) tai 20 A (2,5HP) kaakaisinta. Sen tulee olla kaknapainainen kaakaisija, jossa on minimissään 3,0 mm koskettavali.

- Asennustyöt.
- Vo olla, että asennustyöhön tarvitaan kahta henkilöä.
- Pidä kaikki huuletussuojat vapaina kaikkia esteitä.

VAROITUMIENPITEET R32-KYLMAINEEN KÄYTÖSSÄ

- Huomioi tarkasti seuraavat varoitumienpiteet ja asennustöitä koskevat ohjeet.

VAARA

- Kerääntöä sisä-ulkolaitteiden välillä, mikäli kerääntöä iltoja käytetään vain kerran. Jos kerääntöä kerätään ja vapautetaan, puoli on kerääntöästä uudeleen. Kun kerääntöä on kerätty oikein ja vuototest on tehty, puhdistaa ja kuivaa piiri huolellisesti ohjeen ja sivun 10 painamalla ilmeiltoimittamassa ohjeiden mukaisesti. Levitä nestettä (jäähdytysputki), ammottaitteita ja kuparia ja pesäköä sytyttämättä lämpökäsiteltyssä kemikaalissa kerääntöä ohjeiden mukaisesti sisä-ulkolaitteiden sisä-kaasu-että nestevuotoja. Kootessa voi aiheuttaa räjähdysen ja sen myötä liioleen ennakkaiseen loukkautumisen.

- Laitteen asennus-, asennus- ja käyttöpaikan on oltava hyvin ilmastoi-tu, jotta sisäpiiri- ja jne. A_{min} (m²)-koko taakkoja ja josa ei ole julkisesti toimiva sytyttämällä. Pyy tiloja avaruudesta, toimivista kaasulaitteista tai mistä tahansa toimivasta sähkökinnittimestä. Muuton seurauksena voi olla räjähdys, joka aiheuttaa loukkautumisen tai kuoleman.

- Eläisten jäähdytyslaitteen osien sijaintiin osilla. Kylmäainetta R32 ja R410A kiertävässä mallissa on eri käyttötiloissa halajissa väliin R22-kylmäainetyylin estämiseksi ja turvallisuussyistä.

- Varmista, että putkiston ei pääse epäpuhtauksia (öljy, vesi jne.).
- Mikäli putkisto asennetaan tällä tavalla tavallisen kiertämällä, tippumattomia tms. (R32) kahdet on saatettava kuin R410A:n.)

- Käytä, huolto, korjaus ja jäähdytyslaitteen terväy tulee toteuttaa koulutun ja sertifioidun henkilöstön toimesta käytettävissä syttyvä jäähdytysnestettä valmistajan suositusten mukaisesti. Käikkien henkilöstön jäsenien, joka suorittavat huoltoja tai järjestelmän tai laitteiston liittäminen osien huoltoon, tulee olla koulutettuja ja sertifioiduja.

- Kaikki jäähdytyspiirin osat (hahdotimet, imajähdytys, AHU, lauhdutimet, nesteen vastaanottimet) tai putkuis ei saa olla lämmittämisen, avoimen leikkien, toimivan kaasulaatteen tai sähkökinnittimen lähellä.

- Käynnäjätoiminnan tai näiden valtuuttujen edustajien tulee säännöllisesti tarkistaa hälytykset, mekaaninen tuletus ja hävällimet, ainakin kerran vuodessa, kansallisten vaatimusten mukaisesti mikäli näitä on, jotta varmistetaan oikea toimivuus.

- Lokkia ja täydennettävä. Näiden tarkistusten tulokset tallennetaan kirjaan.

- Jos ilmastointi on miehittäessä tiloissa, ne tulee tarkistaa esitellyttyyrien vahvistamiseksi.

- Ennen kuin uusi jäähdytysjärjestelmä otetaan käyttöön, järjestelmän käyttöolosuhteita vastaavan henkilön tulee varmistaa, että koulutettu ja sertifioidu käyttäjähenkilöstö ohjeistetaan käyttöohjeiden pohjalta kaikki jäähdytysjärjestelmän rakentamista, valvontaa, käyttöä ja huoltoa, sekä myös valvontaa. Turvatoimenpiteitä ja käyttöä jäähdytysjärjestelmän osissa ja käyttöä.

- Yksit koulutun ja sertifioidun henkilöstön vaatimukset ovat ilmastointia alle olevassa:

- Läsnäkäsitellyt tiedot, säädökset ja standardit, jotka liittyvät syttyviin jäähdytysjärjestelmiin;
- Yhteistyötoimet tiedot ja taset, jitten syttyvien jäähdytysjärjestelmien käyttöä, henkilökohtaisen suojausvarustuksen, jäähdytysnesteen vuotamisen estämisen, sytytysten käsittely, lätkäksen, vuotojen haaroittamisen, korjauksen ja hävittämisen; ja

- Kylmäainetyyppimäärittäminen käytännön soveltamassa kansallisissa lainsäädännössä, säädöksissä ja standardissa; ja
- Jälkimmäiset käydyt löydä sääntöissä ja laskuutuksissa läntän asiantuntijamiehen johdolla.

- Ilmastointin putkistot on asuussa tiloissa asennettava siten, että ne eivät vahingoissa vahingoitu käyttöä ja huoltoon aikana.

- Kylmäainepuukiston liiallisen lärtämän tai pulsation estämiseksi on noudatettava varoituksia.

- Varmista, että suojalaitteet, kylmäainepuuket ja kiinnikkeet on suojattu ympäröivän aiheuttamilla vaurioilla, jotta ovat esimerkiksi veden kerääntyminen ja jäätyminen paineenalennusventtiileihin tai liian ja roskien kerääntyminen järjestelmään.

- Jäähdytysjärjestelmien pitkien putkistojen laajenemis- ja supistumisvara on suunniteltava ja otettava asennuksessa (kiinnityksessä ja suojauksessa) huomioon hydraulisen iskun aiheuttamien vahinkojen välttämiseksi.

- Suojaa jäähdytysjärjestelmä esimerkiksi huonekalujen siirtämisestä tai remontoinnista aiheuttavilta vaurioilta.

- Vuotteen poistomiseksi kylmäainepuukon asennuspaikalla tehtyjen sisälaitteiston tiivys on testattava. Testimenetelmän herkkyyden on oltava 5 g kylmäainettä / vuosi tai tarkempi, kun paine on vähintään 0,25 kertaa suuri sallittu paine (>1,04 MPa, enint. 4,15 MPa). Vuotoja ei saa esiintyä.

VAROITUS!

- Yleistä
 - Varmista, että putkiston kokoonpano pidetään mahdollisimman pienenä. Vältä lommontuneen putken käyttöä alääkö päästä putkea taipumaan terävästi.
 - Varmista, että putkisto suojataan tyvisillä vaurioilta.
 - Noudata kansallisia kaasusäädöksiä, kunnallisia säätöjä sekä lainsäädäntöä.
 - Varmista, että mekaanisin liitäntöihin pääsee käskii huoltoa varten.
 - Jos mekaanista liemanhoitoa tarvitaan, ilmanvaihtokaukot on pidettävä vapaina.
 - Kun tuote huylletään, noudata kohdan 11 varoitumienpiteitä ja paikallisia säädöksiä.
 - Kenttävarustuksen osalta, vaikutus jäähdytysnesteen varauks, joka on aiheuttanut eri putkijohdosten johdosta tulee kvantifioida, mitata ja merkitä.
 - Ota aina yhteyks paikallisiin viranomaisiin ja varmista oikea käsittely.
 - Varmista, että kylmäaineen todellinen määrä noudattaa huonekoko, johon kylmäainetta sisältävät osat ovat asennettuna.
 - Varmista, että jäähdytysnesteen varaus ei vuoda.
 - Käytä asianmukaista suojausvarustusta, mukaan lukien hengityssuojaimet, olosuhteiden edellyttämällä tavalla.
 - Pidä kaikki sytytyslaitteet ja kuumat metallipinnat loitolla.

- Huolto
 - 2-1. Valtuutetut henkilöt
 - Kaikkila valtuutetuilla henkilöillä, joka osallistuvat kylmäainepiirin kanssa työskentelyyn ja sen käsittelyyn, on oltava voimassa oleva todistus alan valtuutetuista arviointiviranomaiselta, joka antaa henkilöille pätevyyden kylmäaineen turvallisesti käsittelyyn alan turvustamien arviointimääritysten mukaisesti.
 - Huolto on suoritettava laitteistovalmistajan suositelluilla tavalla. Huolto ja ylläpito, johon tarvitaan muun pätevän henkilöstön apua, on suoritettava tulenerkkojen kylmäaineidien käytön hallitsevan henkilön valvonnassa.
 - Huolto on suoritettava vain valmistajan suosittelemaalla tavalla.
 - Järjestelmää tarkastettaan, valvotaan säännöllisesti ja huolletaan sertifioitua huoltohenkilöstön toimesta, joka on otettu käyttöön henkilön tai osapuolen toimesta, joka on vastuussa.

- 2-2. Alueen tarkastaminen
 - Ennen kuin tulenerkkoja kylmäainetta sisältäville järjestelmille tehdään mitään toimenpiteitä, turvallisuustarkastukset on suoritettava sen varmistamiseksi, että syttymisen vaara on mahdollisimman vähäinen.
 - Jäähdytysjärjestelmän korjauksen yhteydessä on noudatettava kohtien 2-3 - 2-7 varoitumienpiteitä ennen työhön ryhtymistä.

- 2-3. Työnnetetty
 - Työt on suoritettava ohjattuina toimenpiteinä, jotta voidaan varmistaa, ettei tulenerkkoja kaasua tai höyryä ole tilassa, kun työtä tehdään.

- 2-4. Työskentelyalue ja sen ympäristö
 - Kaikkile huoltohenkilöille ja muille paikallisella alueella työskenteleville on annettava ohjeet ja kerrotta suoritettavan työn luonteesta.
 - Vältä työskentelyä ahtaissa tiloissa. Varmista aina etäisytyksiä oleskelu laitteesta, ainakin 2 metrin turvaetäisyydellä, tai järjestämällä vapaa alue ainakin 2 metrin säteellä.

- 2-5. Tilan tarkistus kylmäaineen varalta
 - Alue on tarkistettava asianmukaisella kylmäainetunnistimella ennen työtä ja sen aikana sen varmistamiseksi, että asentajien on tietoinen mahdollisesta tulenerasta imakehässä.
 - Varmista, että käytetty vuodonilmaisinalaiteisto soveltu käyttäväksi tulenerkkojen kylmäaineen kanssa eli se on kipinöimättä, tiivistetty asianmukaisesti tai se on luotustestattu turvallinen.
 - Jos vuotoaläikkymistä tapahtuu, ilmoitella heti ilmanvaihdosta ja pysy tuulen yläpuolella ja kytkeä tuulen roiskeista vuodosta.
 - Jos vuotoaläikkymistä tapahtuu, huoleta vuodosta/roiskeesta tuulen alapuolella sijaitseville, eristä väliön vaara-alue ja pidä valtuuttamattomat henkilöt poissa.

- 2-6. Palonsammuttimien paikalaodon tarkistus
 - Jos kylmäilaitteille tai niihin liittyville osille on suoritettava tulitöitä, asianmukaiset palonsammutuslaitteet on varattava valmiiksi.
 - Pidä sammutusvälineet tai CO-palonsammuttimia täytenä valmiiksi.

- 2-7. Eri sytytyslähteitä
 - Kun tehdään jäähdytysjärjestelmään liittyviä töitä, joihin sisältyy sellaisen putkiston päijästäminen, joka sisältää ja josta on oltu tulenerkkoja kylmäainetta, mitään sytytyslähteitä ei saa käyttää tavalla, joka voi johtaa tulipalon tai räjähdyksen vaaraan. Tupakointi on kielletty lähtäessä töitä suorittaesssa.
 - Kaikki mahdolliset sytytyslaitteet, mukaan lukien savukkeet, on pidettävä riittävässä etäisyydessä tulenerkkojen, korjaus-, poisto- ja hälytyspaikoista, jossa tulenerkkoja kylmäainetta saattaa joutua ympäröivään tilaan.
 - Ennen kuin työhön ryhdytään, laitteesta ympäröivä alue on tutkittava ja varmistettava, että tulipalon tai syttymisen vaaraa ei ole.
 - "Tupakointi kielletty" -kyltti on asennettava.

- 2-8. Ilmastotiloja
 - Varmista, että alue on avoin tai riittävästi ilmastoitua, ennen kuin avaat järjestelmän tai teet tulitöitä.
 - Riittävästi ilmanvaihdosta on huolehdittava työn suorittamisen ajan.
 - Ilmanvaihdon on hävettävä turvallisesti kaikki haihtunut kylmäaine ja mieluiten poistettava se ulkoisesti imakehään.

- 2-9. Jäähdytyslaitteistoille tehtävät tarkistukset
 - Kun sähkökomponentteja vaihdetaan, niiden on sovitava käyttöolosuhteita ja niiden määritysten on oltava oikeat.
 - Valmistajan tarkistus- ja huolto-ohjeita on aina noudatettava.
 - Käännä valmistajan tekniisen osaston puoleen, jos olet epävarma.
 - Seuraavat tarkistukset on tehtävä kokoonpanon, joissa on tulenerkkoja kylmäainetta.
 - Kylmäaineen todellisen määrän noudattamiseksi, johon kylmäainetta sisältävät osat ovat asennettuna.
 - Ilmanvaihtokoneiston toiminta on tarkistettava, jotta se ei aiheuta kipinöitä.
 - Jos käytetään epänormaalia painetta, on tarkistettava, onko toisiopuolella kylmäainetta.
 - Laitteen merkinnät ovat näkyvässä ja selkeässä luettavissa. Epäselvää merkintää ja kyltti on korjattava.
 - Kylmäainepuuket tai komponentit asennetaan paikkaan, jossa ne eivät todennäköisesti altistu miliekään aineelle, joka voi syövyttää kylmäainetta sisältäviä komponentteja, paitsi jos komponenttien materiaali kestää luontaisesti korroosiota tai jos ne on kunnolla suojattu korroosiolta.

- 2-10. Sähköilaitteille tehtävät tarkistukset
 - Sähkökomponenttien korjauksen ja huollon on sisällyttävä alikurvaluustutarkastukset ja komponenttien tarkastusmenettelyt.
 - Alikurvaluustutarkastuksien tulokset seuraavat seikat niillä raportoimatta.
 - Kondensaattorit ovat purkautuneet: se on tehtävä turvallisesti, jotta voidaan välttää kipinöiden vaara.
 - Tarkista, että liittimet sähkökomponentit ja johdot eivät ole altistuneina järjestelmän täyten, palautuksen tai tyhjennysksen aikana.
 - Tarkista maadoituslaitteen jatkuvuus.
 - Valmistajan ylläpito- ja huolto-ohjeita on aina noudatettava.
 - Käännä valmistajan tekniisen osaston puoleen, jos olet epävarma.
 - Ilmanvaihtokoneiston toiminta on tarkistettava, jotta se ei aiheuta kipinöitä.
 - Ellei vikaa voida korjata välttämättä mutta se on toiminnan jatkamisen edellytys, on käytettävä riittävästi tilapäisiä ratkaisuja.
 - Laitteiston omistajalle on ilmoitettava tai raportoitava, tuotta kaikki osapuolellet ovat tietoisia tilanteesta.

- 2-11. HUOMAUTUS:
 - Säilöntiivisteiden käyttö voi estää tietyntyyppisten vuodonilmaisinten tehokkuuden.
 - Luotustestaus turvallisissa komponenteissa ei tarvisse eristää ennen kuin mille vuotavaan tehdä toimenpiteitä.

- 2-12. HUOMAUTUS:
 - Kun sähkökomponentteja vaihdetaan, niiden on sovitava käyttöolosuhteita ja niiden määritysten on oltava oikeat.
 - Valmistajan tarkistus- ja huolto-ohjeita on aina noudatettava.
 - Käännä valmistajan tekniisen osaston puoleen, jos olet epävarma.
 - Seuraavat tarkistukset on tehtävä kokoonpanon, joissa on tulenerkkoja kylmäainetta.
 - Kylmäaineen todellisen määrän noudattamiseksi, johon kylmäainetta sisältävät osat ovat asennettuna.
 - Ilmanvaihtokoneiston toiminta on tarkistettava, jotta se ei aiheuta kipinöitä.
 - Jos käytetään epänormaalia painetta, on tarkistettava, onko toisiopuolella kylmäainetta.
 - Laitteen merkinnät ovat näkyvässä ja selkeässä luettavissa. Epäselvää merkintää ja kyltti on korjattava.
 - Kylmäainepuuket tai komponentit asennetaan paikkaan, jossa ne eivät todennäköisesti altistu miliekään aineelle, joka voi syövyttää kylmäainetta sisältäviä komponentteja, paitsi jos komponenttien materiaali kestää luontaisesti korroosiota tai jos ne on kunnolla suojattu korroosiolta.

- 2-13. HUOMAUTUS:
 - Säilöntiivisteiden käyttö voi estää tietyntyyppisten vuodonilmaisinten tehokkuuden.
 - Luotustestaus turvallisissa komponenteissa ei tarvisse eristää ennen kuin mille vuotavaan tehdä toimenpiteitä.

- 2-14. HUOMAUTUS:
 - Kun sähkökomponentteja vaihdetaan, niiden on sovitava käyttöolosuhteita ja niiden määritysten on oltava oikeat.
 - Valmistajan tarkistus- ja huolto-ohjeita on aina noudatettava.
 - Käännä valmistajan tekniisen osaston puoleen, jos olet epävarma.
 - Seuraavat tarkistukset on tehtävä kokoonpanon, joissa on tulenerkkoja kylmäainetta.
 - Kylmäaineen todellisen määrän noudattamiseksi, johon kylmäainetta sisältävät osat ovat asennettuna.
 - Ilmanvaihtokoneiston toiminta on tarkistettava, jotta se ei aiheuta kipinöitä.
 - Jos käytetään epänormaalia painetta, on tarkistettava, onko toisiopuolella kylmäainetta.
 - Laitteen merkinnät ovat näkyvässä ja selkeässä luettavissa. Epäselvää merkintää ja kyltti on korjattava.
 - Kylmäainepuuket tai komponentit asennetaan paikkaan, jossa ne eivät todennäköisesti altistu miliekään aineelle, joka voi syövyttää kylmäainetta sisältäviä komponentteja, paitsi jos komponenttien materiaali kestää luontaisesti korroosiota tai jos ne on kunnolla suojattu korroosiolta.

