



INDICATIVE PRODUCT IMAGE

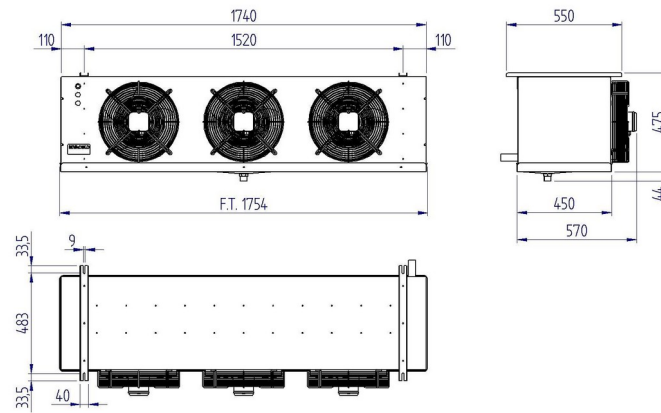
Product file

| | |
|-------------------|----------------------|
| Code | RCMR3350608ED |
| Range | RCMR |
| Model | Cubic |
| Application | LBP |
| PED | 0 |
| Rows number | 6 |
| Total surface | 27.9 m ² |
| Defrosting (Watt) | 5120 W |
| Net weight | 58.6 kg |
| Inlet connection | 22 mm |
| Outlet connection | 35 mm |
| Drain connection | 1" Gas (33mm) |
| Fin spacing | 8 |
| Circuit volume | 11.1 dm ³ |

Fan-motor

| | |
|---------------------|------------------------|
| Type | External rotor |
| Fan-motors no. | 3 |
| Diameter | 350 mm |
| Power supply | 230/1/50-60 |
| High speed | 1400 rpm |
| Power consumption | 390 W |
| Current consumption | 1.74 A |
| Air flow | 6497 m ³ /h |
| Air throw | 18 m |

Technical data - RCMR3350608ED



Refrigerating capacity table (W) - RCMR3350608ED

High speed - RCMR3350608ED

| $\Delta T \setminus$ Cold room Temp | -40 °C | -35 °C | -30 °C | -25 °C | -20 °C | -15 °C | -10 °C | -5 °C | 0 °C | 2 °C | 4 °C |
|-------------------------------------|---------------------|--------|--------|--------|--------|--------|--------|-------|-------|-------|-------|
| 5 K | 5137 ⁽¹⁾ | 5566 | 5929 | 6215 | 6424 | 6699 | 7051 | 7502 | 8096 | 8173 | 8283 |
| 6 K | 5885 ⁽¹⁾ | 6468 | 6963 | 7348 | 7678 | 7920 | 8316 | 8800 | 9416 | 9515 | 9625 |
| 7 K | 6578 ⁽¹⁾ | 7293 | 7920 | 8404 | 8833 | 9119 | 9537 | 10065 | 10703 | 10813 | 10912 |
| 8 K | 7183 ⁽¹⁾ | 8030 | 8789 | 9416 | 9944 | 10296 | 10780 | 11330 | 12100 | 12210 | 12320 |
| 9 K | 7733 ⁽¹⁾ | 8690 | 9603 | 10384 | 11000 | 11550 | 11990 | 12650 | 13420 | 13530 | 13640 |
| 10 K | 8239 ⁽¹⁾ | 9284 | 10340 | 11220 | 11990 | 12650 | 13200 | 13860 | 14630 | 14850 | 14960 |

(1) Application outside the recommended range

Values referred to :
Gas R452A



INDICATIVE PRODUCT IMAGE

General features

- RCMR ø350 range unit coolers have been designed to be installed inside cold rooms suited for fresh and frozen goods storage
- This range completes the RC and RCS range applications and though having extremely compact dimensions, reaches bigger capacities suited for medium size cold rooms
- RCMR ø350 range is available in different combinations of fan spacing dimensions and tube rows properly sized according to the needed applications
- The ED version is supplied with mounted defrosting heaters and is suitable for being used at low temperature applications
- The fan motors operate in the suction mode and prevent the condensate forming on the fan
- The coil is made of aluminium fins, 12 mm copper tube and a geometry of 37,5 x 32,5
- RCMR ø350 unit coolers can be classified in three groups according to the needed cold room temperature (Tc): 4mm fin spacing for a Tc from -5°C to +15°C; 6mm fin spacing for a Tc from -20°C to +15°C; 8mm fin spacing for a Tc from -40°C to +4°C.
- The coils are tested with nitrogen at a pressure of 25 bar.
- The fan motor models in use have the following features:
 - Manufactured following EN 60335-1 laws, with internal thermal protection
 - Fan diameter 350 mm, external rotor
 - Power supply 230-240V/1/50-60Hz
 - IP44 protection rate
 - F insulation class
 - operating temperature -40°C a +65°C
 - Electrics made in conformity with 2006/95/CE Low Tension directive
- The housing is made of aluminium
- The manufacturing solutions used give the housing strength and guarantee the absence of vibrations during the functioning.
- Screws, washers and nuts are made of stainless steel