



INDICATIVE PRODUCT IMAGE

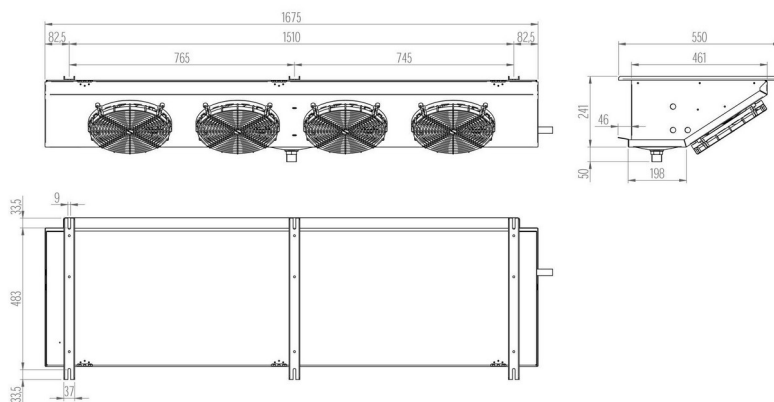
Product file

Code	RSI4250ED
Range	RSI
Model	Ceiling
Application	MBP
PED	0
Rows number	6
Total surface	14.6 m ²
Defrosting (Watt)	1800 W
Net weight	28.5 kg
Inlet connection	12 mm
Outlet connection	22 mm
Drain connection	1" Gas (33mm)
Fin spacing	5,3
Circuit volume	4.19 dm ³

Fan-motor

Type	Shielded poles
Fan-motors no.	4
Diameter	254 mm
Power supply	220-240/1/50-60
High speed	1300 rpm
Power consumption	240 W
Current consumption	2 A
Air flow	2275 m ³ /h
Air throw	9.5 m

Technical data - RSI4250ED



Refrigerating capacity table (W) - RSI4250ED

High speed - RSI4250ED

$\Delta T \setminus$ Cold room Temp	-40 °C	-35 °C	-30 °C	-25 °C	-20 °C	-15 °C	-10 °C	-5 °C	0 °C	2 °C	4 °C	6 °C	8 °C	10 °C	12 °C	15 °C
5 K	1235 (1)	1406 (1)	1549	1672	1767	1881	2014	2176	2385	2404	2423	2527	2622	2717	2822	2978
6 K	1416 (1)	1634 (1)	1834	2014	2147	2271	2432	2622	2850	2888	2917	2974	3097	3202	3316	3487
7 K	1577 (1)	1834 (1)	2090	2318	2499	2651	2831	3050	3297	3344	3392	3430	3553	3667	3781	3952
8 K	1710 (1)	2005 (1)	2309	2594	2841	3012	3230	3477	3762	3829	3886	3943	4028	4180	4304	4489
9 K	1834 (1)	2147 (1)	2499	2831	3135	3382	3601	3886	4199	4285	4361	4427	4513	4674	4807	5007
10 K	1938 (1)	2271 (1)	2660	3050	3411	3686	3952	4266	4617	4722	4817	4893	4988	5111	5282	5539

(1) Application outside the recommended range

Values referred to :

Gas R449A Mid



INDICATIVE PRODUCT IMAGE

General features

- RSI range unit coolers have been designed to be installed inside cold rooms suited for fresh and frozen goods storage.
- This range has the advantage of having extremely compact dimensions and at the same time gives capacities comparable to the RC range. This feature allows applications inside cold rooms with a minimum encumbrance in height
- RSI range is available in two different fan diameters and three types of fin spacing according to the needed application.
- The ED version is supplied with mounted defrosting heaters and is suitable for being used at low temperature applications.
- The range consist of two types of coils, both made of aluminium fins and copper tube: 3/8" tube with a geometry of 25x21,65, for models with 250mm fan diameter; 12mm tube with a geometry of 37,5x32,5 for models with 350mm fan diameter
- The model types having 250mm fan diameter are fitted with a coil of 5,3mm fin spacing, suited for applications with a cold room temperature (Tc) from -30°C to +10°C
- The coil is made of aluminium fins and 3/8" copper tube with geometry 25x22
- It is tested with nitrogen at a pressure of 25 bar
- The fan motor models in use have the following features:
 - Manufactured following EN 60335-1 laws, with internal thermal protection
 - Power supply 230-240V/1/50-60Hz
 - IP42 protection rate
 - Operating temperature from -40°C to +40°C
 - B insulation class
 - Electrics made in conformity with 73/23CEE Low Tension directive
 - The housing is made of aluminium
- The manufacturing solutions used give the housing strength and guarantee the absence of vibrations during the functioning.
- Screws, washers and nuts are made of stainless steel