



INDICATIVE PRODUCT IMAGE

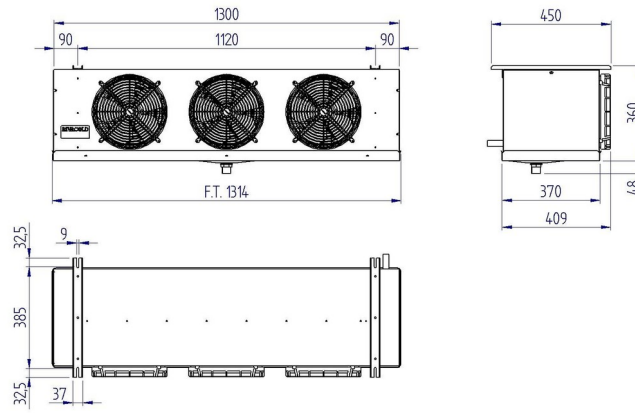
Product file

Code	RCS3250606ED
Range	RCS
Model	Cubic
Application	MBP
PED	0
Rows number	6
Total surface	21.4 m ²
Defrosting (Watt)	1950 W
Net weight	31.6 kg
Inlet connection	12 mm-1/2" sae
Outlet connection	22 mm
Drain connection	1" Gas (33mm)
Fin spacing	6
Circuit volume	6.92 dm ³

Fan-motor

Type	Shielded poles
Fan-motors no.	3
Diameter	254 mm
Power supply	230/1/50-60
High speed	1300 rpm
Power consumption	240 W
Current consumption	1.05 A
Air flow	2362 m ³ /h
Air throw	11 m

Technical data - RCS3250606ED



Refrigerating capacity table (W) - RCS3250606ED

High speed - RCS3250606ED

$\Delta T \setminus$ Cold room Temp	-20 °C	-15 °C	-10 °C	-5 °C	0 °C	2 °C	4 °C	6 °C	8 °C	10 °C	12 °C	15 °C
5 K	2156 ⁽¹⁾	2277	2420	2585	2794	2827	2871	2926	3003	3102	3201	3350
6 K	2673 ⁽¹⁾	2805	2981	3168	3410	3421	3443	3487	3619	3718	3817	3966
7 K	3135 ⁽¹⁾	3300	3509	3729	4004	4037	4048	4081	4213	4312	4422	4587
8 K	3564 ⁽¹⁾	3828	4026	4301	4609	4664	4697	4752	4829	4983	5104	5286
9 K	3949 ⁽¹⁾	4279	4521	4840	5192	5258	5324	5390	5445	5621	5753	5951
10 K	4301 ⁽¹⁾	4697	4983	5346	5742	5841	5918	5995	6072	6193	6369	6633

(1) Application outside the recommended range

Values referred to :
Gas R452A



INDICATIVE PRODUCT IMAGE

General features

- RCS range unit coolers have been designed to be installed inside cold rooms suited for fresh and frozen goods storage
- Their shape, being extremely compact, make their installation possible also in cold rooms having very small dimensions
- RCS range is available in different combinations of fin spacing dimensions and tube rows properly sized according to the needed applications.
- The ED version is supplied with mounted defrosting heaters and is suitable for being used at low temperature applications.
- The fan motors operate in the suction mode and prevent the condensate forming on the fan
- The coil is made of aluminium fins, 12 mm copper tube and a geometry of 37,5 x 32,5
- RCS unit coolers can be classified in three groups according to the needed cold room temperature (Tc): 4mm fin spacing for a Tc from -5°C to +15°C; 6mm fin spacing for a Tc from -20°C to +15°C; 8mm fin spacing for a Tc from -40°C to +4°C
- Each fin spacing group is also available with 4 and 6 rows.
- The coils are tested with nitrogen at a pressure of 25 bar.
- The fan motor models in use have the following features:
 - Manufactured following EN 60335-1 laws, with internal thermal protection
 - Fan diameter 250mm
 - Power supply 230-240V/1/50-60Hz
 - IP44 protection rate
 - F insulation class
 - Operating temperature from -40°C to +40°C
 - Electrics made in conformity with 2006/95/CE Low Tension directive
- The housing is made of aluminium
- The manufacturing solutions used give the housing strength and guarantee the absence of vibrations during the functioning.
- Screws, washers and nuts are made of stainless steel