



INDICATIVE PRODUCT IMAGE

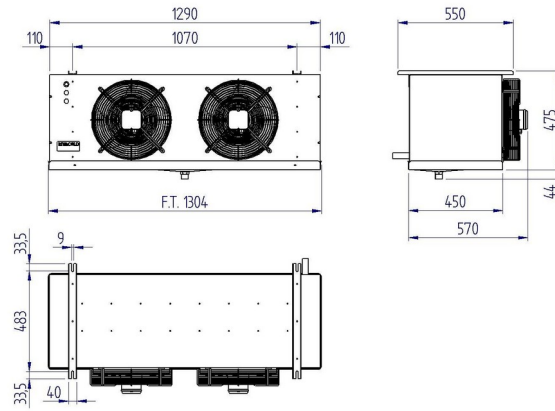
### Product file

Code	RCMR2350808ED
Range	RCMR
Model	Cubic
Application	LBP
PED	0
Rows number	8
Total surface	26 m <sup>2</sup>
Defrosting (Watt)	4200 W
Net weight	47.9 kg
Inlet connection	16 mm-5/8" sae
Outlet connection	28 mm
Drain connection	1" Gas (33mm)
Fin spacing	8
Circuit volume	10.6 dm <sup>3</sup>

### Fan-motor

Type	External rotor
Fan-motors no.	2
Diameter	350 mm
Power supply	230/1/50-60
High speed	1400 rpm
Power consumption	260 W
Current consumption	1.16 A
Air flow	4162.5 m <sup>3</sup> /h
Air throw	14 m

## Technical data - RCMR2350808ED



**Refrigerating capacity table (W) - RCMR2350808ED**

**High speed - RCMR2350808ED**

$\Delta T \setminus$ Cold room Temp	-40 °C	-35 °C	-30 °C	-25 °C	-20 °C	-15 °C	-10 °C	-5 °C	0 °C	2 °C	4 °C
5 K	3850 <sup>(1)</sup>	4224	4543	4807	5038	5214	5522	5907	6413	6479	6578
6 K	4378 <sup>(1)</sup>	4873	5291	5643	5940	6237	6567	6996	7535	7623	7711
7 K	4851 <sup>(1)</sup>	5445	5973	6424	6798	7139	7513	7964	8525	8635	8734
8 K	5269 <sup>(1)</sup>	5962	6611	7150	7623	8030	8470	8965	9570	9713	9834
9 K	5632 <sup>(1)</sup>	6413	7172	7832	8393	8888	9372	9922	10593	10758	10890
10 K	5973 <sup>(1)</sup>	6809	7678	8470	9130	9702	10263	10857	11550	11770	11880

(1) Application outside the recommended range

**Values referred to :**  
Gas R452A



INDICATIVE PRODUCT IMAGE

### General features

- RCMR ø350 range unit coolers have been designed to be installed inside cold rooms suited for fresh and frozen goods storage
- This range completes the RC and RCS range applications and though having extremely compact dimensions, reaches bigger capacities suited for medium size cold rooms
- RCMR ø350 range is available in different combinations of fan spacing dimensions and tube rows properly sized according to the needed applications
- The ED version is supplied with mounted defrosting heaters and is suitable for being used at low temperature applications
- The fan motors operate in the suction mode and prevent the condensate forming on the fan
- The coil is made of aluminium fins, 12 mm copper tube and a geometry of 37,5 x 32,5
- RCMR ø350 unit coolers can be classified in three groups according to the needed cold room temperature (Tc): 4mm fin spacing for a Tc from -5°C to +15°C; 6mm fin spacing for a Tc from -20°C to +15°C; 8mm fin spacing for a Tc from -40°C to +4°C.
- The coils are tested with nitrogen at a pressure of 25 bar.
- The fan motor models in use have the following features:
  - Manufactured following EN 60335-1 laws, with internal thermal protection
  - Fan diameter 350 mm, external rotor
  - Power supply 230-240V/1/50-60Hz
  - IP44 protection rate
  - F insulation class
  - operating temperature -40°C a +65°C
  - Electrics made in conformity with 2006/95/CE Low Tension directive
- The housing is made of aluminium
- The manufacturing solutions used give the housing strength and guarantee the absence of vibrations during the functioning.
- Screws, washers and nuts are made of stainless steel