



INDICATIVE PRODUCT IMAGE

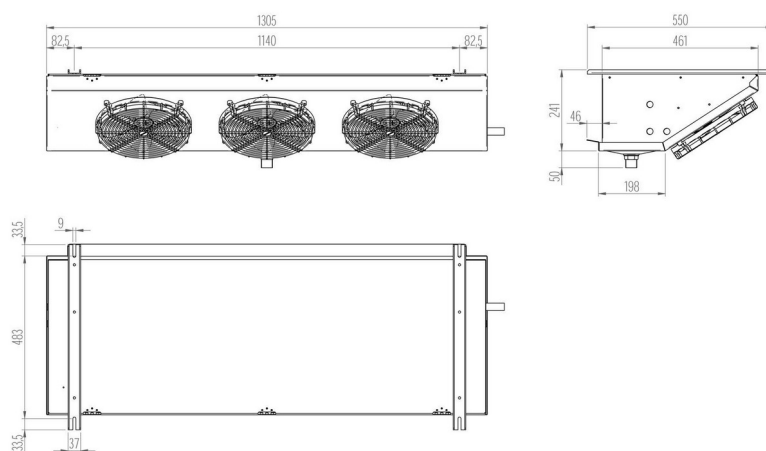
### Product file

Code	RSI3250ED
Range	RSI
Model	Ceiling
Application	MBP
PED	0
Rows number	6
Total surface	11 m <sup>2</sup>
Defrosting (Watt)	1300 W
Net weight	22.4 kg
Inlet connection	12 mm
Outlet connection	22 mm
Drain connection	1" Gas (33mm)
Fin spacing	5,3
Circuit volume	3.18 dm <sup>3</sup>

### Fan-motor

Type	Shielded poles
Fan-motors no.	3
Diameter	254 mm
Power supply	220-240/1/50-60
High speed	1300 rpm
Power consumption	180 W
Current consumption	1.5 A
Air flow	1706.3 m <sup>3</sup> /h
Air throw	8.5 m

## Technical data - RSI3250ED



**Refrigerating capacity table (W) - RSI3250ED**

**High speed - RSI3250ED**

$\Delta T \setminus$ Cold room Temp	-40 °C	-35 °C	-30 °C	-25 °C	-20 °C	-15 °C	-10 °C	-5 °C	0 °C	2 °C	4 °C	6 °C	8 °C	10 °C	12 °C	15 °C
<b>5 K</b>	1093 (1)	1188 (1)	1264	1321	1359	1425	1511	1615	1758	1786	1815	1843	1910	1976	2052	2166
<b>6 K</b>	1292 (1)	1425 (1)	1539	1634	1691	1758	1853	1976	2128	2147	2185	2233	2280	2356	2432	2546
<b>7 K</b>	1473 (1)	1644 (1)	1796	1919	2005	2081	2185	2318	2499	2518	2537	2556	2651	2717	2803	2931
<b>8 K</b>	1634 (1)	1843 (1)	2024	2195	2328	2394	2527	2679	2879	2917	2945	2974	3021	3135	3221	3349
<b>9 K</b>	1777 (1)	2005 (1)	2242	2442	2613	2736	2850	3031	3240	3297	3335	3373	3411	3525	3620	3762
<b>10 K</b>	1900 (1)	2166 (1)	2432	2679	2888	3031	3173	3363	3601	3658	3705	3762	3810	3886	4009	4194

(1) Application outside the recommended range

**Values referred to :**

Gas R449A Mid



INDICATIVE PRODUCT IMAGE

### General features

- RSI range unit coolers have been designed to be installed inside cold rooms suited for fresh and frozen goods storage.
- This range has the advantage of having extremely compact dimensions and at the same time gives capacities comparable to the RC range. This feature allows applications inside cold rooms with a minimum encumbrance in height
- RSI range is available in two different fan diameters and three types of fin spacing according to the needed application.
- The ED version is supplied with mounted defrosting heaters and is suitable for being used at low temperature applications.
- The range consist of two types of coils, both made of aluminium fins and copper tube: 3/8" tube with a geometry of 25x21,65, for models with 250mm fan diameter; 12mm tube with a geometry of 37,5x32,5 for models with 350mm fan diameter
- The model types having 250mm fan diameter are fitted with a coil of 5,3mm fin spacing, suited for applications with a cold room temperature (Tc) from -30°C to +10°C
- The coil is made of aluminium fins and 3/8" copper tube with geometry 25x22
- It is tested with nitrogen at a pressure of 25 bar
- The fan motor models in use have the following features:
  - Manufactured following EN 60335-1 laws, with internal thermal protection
  - Power supply 230-240V/1/50-60Hz
  - IP42 protection rate
  - Operating temperature from -40°C to +40°C
  - B insulation class
  - Electrics made in conformity with 73/23CEE Low Tension directive
  - The housing is made of aluminium
- The manufacturing solutions used give the housing strength and guarantee the absence of vibrations during the functioning.
- Screws, washers and nuts are made of stainless steel