



INDICATIVE PRODUCT IMAGE

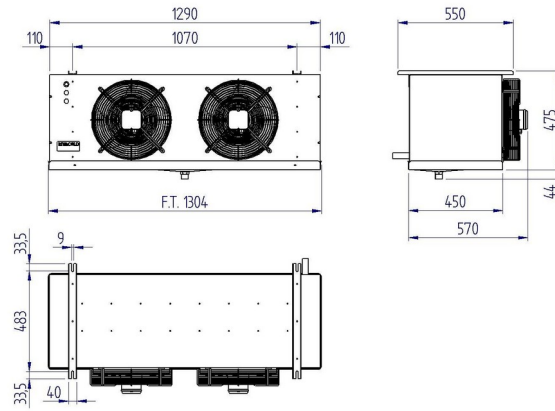
Product file

Code	RCMR2350806ED
Range	RCMR
Model	Cubic
Application	MBP
PED	0
Rows number	8
Total surface	33.5 m ²
Defrosting (Watt)	4200 W
Net weight	50.1 kg
Inlet connection	16 mm-5/8" sae
Outlet connection	28 mm
Drain connection	1" Gas (33mm)
Fin spacing	6
Circuit volume	10.6 dm ³

Fan-motor

Type	External rotor
Fan-motors no.	2
Diameter	350 mm
Power supply	230/1/50-60
High speed	1400 rpm
Power consumption	260 W
Current consumption	1.16 A
Air flow	3656.5 m ³ /h
Air throw	14 m

Technical data - RCMR2350806ED



Refrigerating capacity table (W) - RCMR2350806ED

High speed - RCMR2350806ED

$\Delta T \setminus$ Cold room Temp	-20 °C	-15 °C	-10 °C	-5 °C	0 °C	2 °C	4 °C	6 °C	8 °C	10 °C	12 °C	15 °C
5 K	5236 ⁽¹⁾	5511	5830	6259	6820	6908	7007	7238	7491	7766	8052	8481
6 K	6226 ⁽¹⁾	6479	6853	7315	7909	8008	8118	8272	8558	8833	9130	9576
7 K	7106 ⁽¹⁾	7403	7821	8327	8932	9075	9185	9328	9581	9856	10153	10599
8 K	8052 ⁽¹⁾	8316	8800	9350	10032	10186	10329	10483	10681	11000	11330	11825
9 K	8844 ⁽¹⁾	9306	9724	10329	11110	11220	11440	11550	11770	12100	12430	12925
10 K	9581 ⁽¹⁾	10131	10615	11330	12100	12320	12430	12650	12870	13090	13530	14190

(1) Application outside the recommended range

Values referred to :
Gas R452A



INDICATIVE PRODUCT IMAGE

General features

- RCMR ø350 range unit coolers have been designed to be installed inside cold rooms suited for fresh and frozen goods storage
- This range completes the RC and RCS range applications and though having extremely compact dimensions, reaches bigger capacities suited for medium size cold rooms
- RCMR ø350 range is available in different combinations of fan spacing dimensions and tube rows properly sized according to the needed applications
- The ED version is supplied with mounted defrosting heaters and is suitable for being used at low temperature applications
- The fan motors operate in the suction mode and prevent the condensate forming on the fan
- The coil is made of aluminium fins, 12 mm copper tube and a geometry of 37,5 x 32,5
- RCMR ø350 unit coolers can be classified in three groups according to the needed cold room temperature (Tc): 4mm fin spacing for a Tc from -5°C to +15°C; 6mm fin spacing for a Tc from -20°C to +15°C; 8mm fin spacing for a Tc from -40°C to +4°C.
- The coils are tested with nitrogen at a pressure of 25 bar.
- The fan motor models in use have the following features:
 - Manufactured following EN 60335-1 laws, with internal thermal protection
 - Fan diameter 350 mm, external rotor
 - Power supply 230-240V/1/50-60Hz
 - IP44 protection rate
 - F insulation class
 - operating temperature -40°C a +65°C
 - Electrics made in conformity with 2006/95/CE Low Tension directive
- The housing is made of aluminium
- The manufacturing solutions used give the housing strength and guarantee the absence of vibrations during the functioning.
- Screws, washers and nuts are made of stainless steel