



INDICATIVE PRODUCT IMAGE

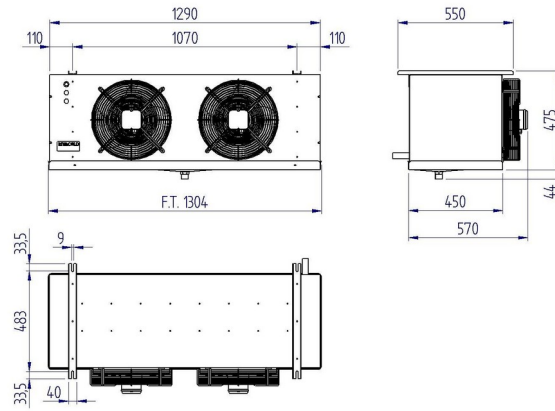
Product file

| | |
|-------------------|----------------------|
| Code | RCMR2350806ED |
| Range | RCMR |
| Model | Cubic |
| Application | MBP |
| PED | 0 |
| Rows number | 8 |
| Total surface | 33.5 m ² |
| Defrosting (Watt) | 4200 W |
| Net weight | 50.1 kg |
| Inlet connection | 16 mm-5/8" sae |
| Outlet connection | 28 mm |
| Drain connection | 1" Gas (33mm) |
| Fin spacing | 6 |
| Circuit volume | 10.6 dm ³ |

Fan-motor

| | |
|---------------------|--------------------------|
| Type | External rotor |
| Fan-motors no. | 2 |
| Diameter | 350 mm |
| Power supply | 230/1/50-60 |
| High speed | 1400 rpm |
| Power consumption | 260 W |
| Current consumption | 1.16 A |
| Air flow | 3656.5 m ³ /h |
| Air throw | 14 m |

Technical data - RCMR2350806ED



Refrigerating capacity table (W) - RCMR2350806ED

High speed - RCMR2350806ED

| $\Delta T \setminus$ Cold room Temp | -20 °C | -15 °C | -10 °C | -5 °C | 0 °C | 2 °C | 4 °C | 6 °C | 8 °C | 10 °C | 12 °C | 15 °C |
|-------------------------------------|---------------------|--------|--------|-------|-------|-------|-------|-------|-------|-------|-------|-------|
| 5 K | 4522 ⁽¹⁾ | 4760 | 5035 | 5406 | 5890 | 5966 | 6052 | 6251 | 6470 | 6707 | 6954 | 7325 |
| 6 K | 5377 ⁽¹⁾ | 5596 | 5919 | 6318 | 6831 | 6916 | 7011 | 7144 | 7391 | 7629 | 7885 | 8270 |
| 7 K | 6137 ⁽¹⁾ | 6394 | 6755 | 7192 | 7714 | 7838 | 7933 | 8056 | 8275 | 8512 | 8769 | 9153 |
| 8 K | 6954 ⁽¹⁾ | 7182 | 7600 | 8075 | 8664 | 8797 | 8921 | 9054 | 9225 | 9500 | 9785 | 10213 |
| 9 K | 7638 ⁽¹⁾ | 8037 | 8398 | 8921 | 9595 | 9690 | 9880 | 9975 | 10165 | 10450 | 10735 | 11163 |
| 10 K | 8275 ⁽¹⁾ | 8750 | 9168 | 9785 | 10450 | 10640 | 10735 | 10925 | 11115 | 11305 | 11685 | 12255 |

(1) Application outside the recommended range

Values referred to :
Gas R449A Mid



INDICATIVE PRODUCT IMAGE

General features

- RCMR ø350 range unit coolers have been designed to be installed inside cold rooms suited for fresh and frozen goods storage
- This range completes the RC and RCS range applications and though having extremely compact dimensions, reaches bigger capacities suited for medium size cold rooms
- RCMR ø350 range is available in different combinations of fan spacing dimensions and tube rows properly sized according to the needed applications
- The ED version is supplied with mounted defrosting heaters and is suitable for being used at low temperature applications
- The fan motors operate in the suction mode and prevent the condensate forming on the fan
- The coil is made of aluminium fins, 12 mm copper tube and a geometry of 37,5 x 32,5
- RCMR ø350 unit coolers can be classified in three groups according to the needed cold room temperature (Tc): 4mm fin spacing for a Tc from -5°C to +15°C; 6mm fin spacing for a Tc from -20°C to +15°C; 8mm fin spacing for a Tc from -40°C to +4°C.
- The coils are tested with nitrogen at a pressure of 25 bar.
- The fan motor models in use have the following features:
 - Manufactured following EN 60335-1 laws, with internal thermal protection
 - Fan diameter 350 mm, external rotor
 - Power supply 230-240V/1/50-60Hz
 - IP44 protection rate
 - F insulation class
 - operating temperature -40°C a +65°C
 - Electrics made in conformity with 2006/95/CE Low Tension directive
- The housing is made of aluminium
- The manufacturing solutions used give the housing strength and guarantee the absence of vibrations during the functioning.
- Screws, washers and nuts are made of stainless steel