



INDICATIVE PRODUCT IMAGE

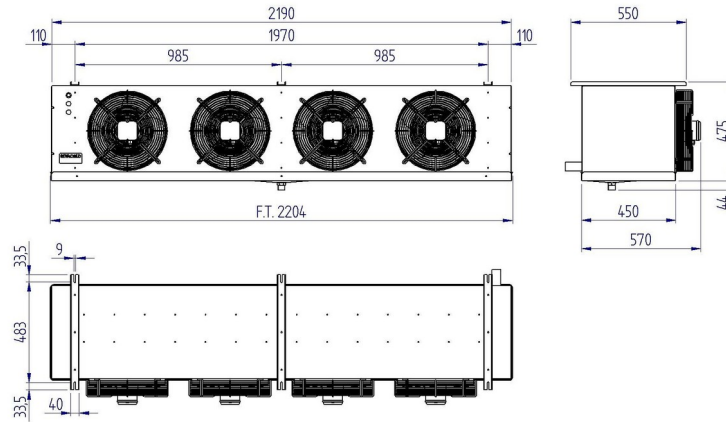
Product file

Code	RCMR4350608ED
Range	RCMR
Model	Cubic
Application	LBP
PED	0
Rows number	6
Total surface	36.2 m ²
Defrosting (Watt)	6700 W
Net weight	78.7 kg
Inlet connection	28 mm
Outlet connection	42 mm
Drain connection	1" Gas (33mm)
Fin spacing	8
Circuit volume	14.3 dm ³

Fan-motor

Type	External rotor
Fan-motors no.	4
Diameter	350 mm
Power supply	230/1/50-60
High speed	1400 rpm
Power consumption	520 W
Current consumption	2.32 A
Air flow	8662.5 m ³ /h
Air throw	23 m

Technical data - RCMR4350608ED



Refrigerating capacity table (W) - RCMR4350608ED

High speed - RCMR4350608ED

$\Delta T \setminus$ Cold room Temp	-40 °C	-35 °C	-30 °C	-25 °C	-20 °C	-15 °C	-10 °C	-5 °C	0 °C	2 °C	4 °C
5 K	7315 ⁽¹⁾	7711	8074	8360	8635	8976	9416	9999	10758	10846	11000
6 K	8492 ⁽¹⁾	9119	9548	9922	10285	10670	11110	11770	12540	12650	12760
7 K	9570 ⁽¹⁾	10384	11110	11440	11880	12320	12760	13420	14300	14410	14520
8 K	10571 ⁽¹⁾	11550	12430	12870	13420	13970	14520	15180	16170	16280	16390
9 K	11440 ⁽¹⁾	12540	13640	14410	14960	15510	16170	16940	17930	18150	18260
10 K	12320 ⁽¹⁾	13530	14740	15730	16390	17160	17820	18590	19580	19910	20020

(1) Application outside the recommended range

Values referred to :
Gas R452A



INDICATIVE PRODUCT IMAGE

General features

- RCMR ø350 range unit coolers have been designed to be installed inside cold rooms suited for fresh and frozen goods storage
- This range completes the RC and RCS range applications and though having extremely compact dimensions, reaches bigger capacities suited for medium size cold rooms
- RCMR ø350 range is available in different combinations of fan spacing dimensions and tube rows properly sized according to the needed applications
- The ED version is supplied with mounted defrosting heaters and is suitable for being used at low temperature applications
- The fan motors operate in the suction mode and prevent the condensate forming on the fan
- The coil is made of aluminium fins, 12 mm copper tube and a geometry of 37,5 x 32,5
- RCMR ø350 unit coolers can be classified in three groups according to the needed cold room temperature (Tc): 4mm fin spacing for a Tc from -5°C to +15°C; 6mm fin spacing for a Tc from -20°C to +15°C; 8mm fin spacing for a Tc from -40°C to +4°C.
- The coils are tested with nitrogen at a pressure of 25 bar.
- The fan motor models in use have the following features:
 - Manufactured following EN 60335-1 laws, with internal thermal protection
 - Fan diameter 350 mm, external rotor
 - Power supply 230-240V/1/50-60Hz
 - IP44 protection rate
 - F insulation class
 - operating temperature -40°C a +65°C
 - Electrics made in conformity with 2006/95/CE Low Tension directive
- The housing is made of aluminium
- The manufacturing solutions used give the housing strength and guarantee the absence of vibrations during the functioning.
- Screws, washers and nuts are made of stainless steel