



INDICATIVE PRODUCT IMAGE

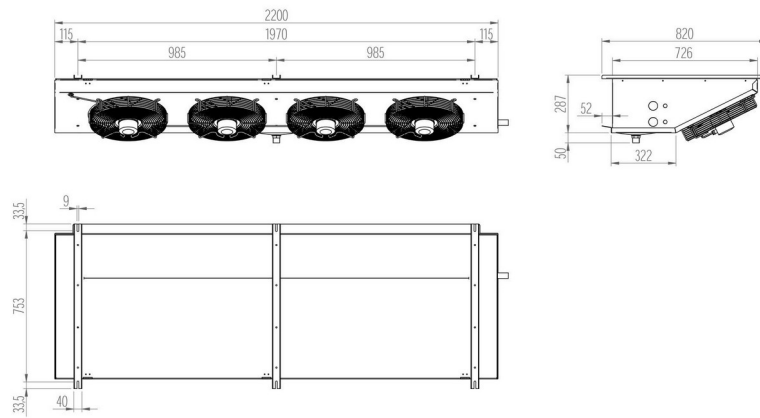
Product file

Code	RSI43507ED
Range	RSI
Model	Ceiling
Application	LBP
PED	0
Rows number	6
Total surface	24.4 m ²
Defrosting (Watt)	5360 W
Net weight	62.7 kg
Inlet connection	12 mm-1/2" sae
Outlet connection	28 mm
Drain connection	1" Gas (33mm)
Fin spacing	7
Circuit volume	8.83 dm ³

Fan-motor

Type	External rotor
Fan-motors no.	4
Diameter	350 mm
Power supply	230/1/50-60
High speed	1400 rpm
Power consumption	520 W
Current consumption	2.32 A
Air flow	5962.5 m ³ /h
Air throw	13 m

Technical data - RSI43507ED



Refrigerating capacity table (W) - RSI43507ED

High speed - RSI43507ED

$\Delta T \setminus$ Cold room Temp	-40 °C	-35 °C	-30 °C	-25 °C	-20 °C	-15 °C	-10 °C	-5 °C	0 °C	2 °C	4 °C
5 K	2689	2917	3050	3154	3268	3382	3525	3705	3924	3943	3971
6 K	3278	3610	3876	4057	4161	4323	4494	4693	4950	4978	5007
7 K	3810	4237	4627	4864	5111	5244	5444	5691	5957	5976	6004
8 K	4275	4798	5301	5719	5976	6156	6422	6707	7040	7078	7116
9 K	4693	5311	5919	6451	6793	7049	7363	7705	8085	8132	8180
10 K	5054	5748	6479	7135	7562	7895	8284	8674	9101	9149	9177

Values referred to :
Gas R449A Mid



INDICATIVE PRODUCT IMAGE

General features

- RSI range unit coolers have been designed to be installed inside cold rooms suited for fresh and frozen goods storage.
- This range has the advantage of having extremely compact dimensions and at the same time gives capacities comparable to the RC range. This feature allows applications inside cold rooms with a minimum encumbrance in height
- RSI range is available in two different fan diameters and three types of fin spacing according to the needed application.
- The ED version is supplied with mounted defrosting heaters and is suitable for being used at low temperature applications.
- The model types having 350mm fan diameter are made of two different groups: models with 3,5mm fin spacing suited for cold room temperature (Tc) from -5°C to +15°C; models with 7mm fin spacing suited for cold room temperature (Tc) from -40°C to +4°C.
- The coil is made of aluminium fins and 3/8" copper tube with geometry 25x22
- It is tested with nitrogen at a pressure of 25 bar
- The fan motor models in use have the following features:
 - Manufactured following EN 60335-1 laws, with internal thermal protection
 - Power supply 230-240V/1/50-60Hz
 - IP44 protection rate
 - F insulation class
 - operating temperature -40°C a +65°C
 - Electrics made in conformity with 73/23CEE Low Tension directive
- The housing is made of aluminium
- The manufacturing solutions used give the housing strength and guarantee the absence of vibrations during the functioning.
- Screws, washers and nuts are made of stainless steel