



INDICATIVE PRODUCT IMAGE

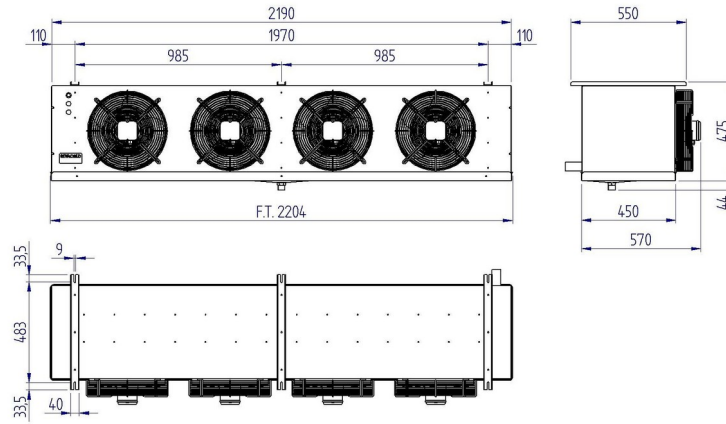
Product file

Code	RCMR4350606ED
Range	RCMR
Model	Cubic
Application	MBP
PED	0
Rows number	6
Total surface	46.7 m ²
Defrosting (Watt)	6700 W
Net weight	81.6 kg
Inlet connection	28 mm
Outlet connection	42 mm
Drain connection	1" Gas (33mm)
Fin spacing	6
Circuit volume	14.3 dm ³

Fan-motor

Type	External rotor
Fan-motors no.	4
Diameter	350 mm
Power supply	230/1/50-60
High speed	1400 rpm
Power consumption	520 W
Current consumption	2.32 A
Air flow	7987.5 m ³ /h
Air throw	21 m

Technical data - RCMR4350606ED



Refrigerating capacity table (W) - RCMR4350606ED

High speed - RCMR4350606ED

$\Delta T \setminus$ Cold room Temp	-20 °C	-15 °C	-10 °C	-5 °C	0 °C	2 °C	4 °C	6 °C	8 °C	10 °C	12 °C	15 °C
5 K	8265 ⁽¹⁾	8503	8921	9500	10260	10355	10450	10735	11115	11495	11875	12445
6 K	9785 ⁽¹⁾	10070	10545	11115	11970	12065	12160	12350	12730	13110	13490	14060
7 K	11305 ⁽¹⁾	11780	12160	12730	13585	13680	13870	14060	14345	14725	15105	15675
8 K	12730 ⁽¹⁾	13300	13870	14630	15485	15675	15865	16055	16245	16720	17100	17670
9 K	14155 ⁽¹⁾	14820	15485	16245	17195	17480	17575	17765	18050	18525	18905	19475
10 K	15485 ⁽¹⁾	16245	17005	17860	18905	19095	19380	19570	19855	20140	20615	21328

(1) Application outside the recommended range

Values referred to :
Gas R449A Mid



INDICATIVE PRODUCT IMAGE

General features

- RCMR ø350 range unit coolers have been designed to be installed inside cold rooms suited for fresh and frozen goods storage
- This range completes the RC and RCS range applications and though having extremely compact dimensions, reaches bigger capacities suited for medium size cold rooms
- RCMR ø350 range is available in different combinations of fan spacing dimensions and tube rows properly sized according to the needed applications
- The ED version is supplied with mounted defrosting heaters and is suitable for being used at low temperature applications
- The fan motors operate in the suction mode and prevent the condensate forming on the fan
- The coil is made of aluminium fins, 12 mm copper tube and a geometry of 37,5 x 32,5
- RCMR ø350 unit coolers can be classified in three groups according to the needed cold room temperature (Tc): 4mm fin spacing for a Tc from -5°C to +15°C; 6mm fin spacing for a Tc from -20°C to +15°C; 8mm fin spacing for a Tc from -40°C to +4°C.
- The coils are tested with nitrogen at a pressure of 25 bar.
- The fan motor models in use have the following features:
 - Manufactured following EN 60335-1 laws, with internal thermal protection
 - Fan diameter 350 mm, external rotor
 - Power supply 230-240V/1/50-60Hz
 - IP44 protection rate
 - F insulation class
 - operating temperature -40°C a +65°C
 - Electrics made in conformity with 2006/95/CE Low Tension directive
- The housing is made of aluminium
- The manufacturing solutions used give the housing strength and guarantee the absence of vibrations during the functioning.
- Screws, washers and nuts are made of stainless steel