



INDICATIVE PRODUCT IMAGE

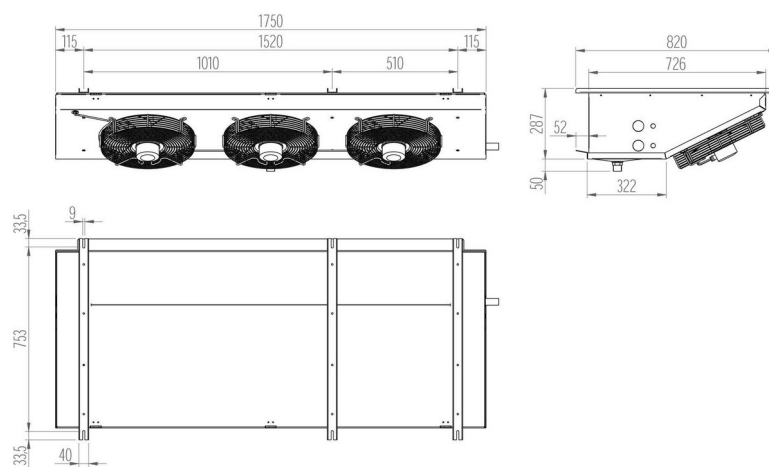
### Product file

Code	RSI33507ED
Range	RSI
Model	Ceiling
Application	LBP
PED	0
Rows number	6
Total surface	18.8 m <sup>2</sup>
Defrosting (Watt)	4096 W
Net weight	51.5 kg
Inlet connection	12 mm-1/2" sae
Outlet connection	28 mm
Drain connection	1" Gas (33mm)
Fin spacing	7
Circuit volume	6.86 dm <sup>3</sup>

### Fan-motor

Type	External rotor
Fan-motors no.	3
Diameter	350 mm
Power supply	230/1/50-60
High speed	1400 rpm
Power consumption	390 W
Current consumption	1.74 A
Air flow	4598 m <sup>3</sup> /h
Air throw	12.5 m

## Technical data - RSI33507ED



**Refrigerating capacity table (W) - RSI33507ED**

**High speed - RSI33507ED**

$\Delta T \setminus$ Cold room Temp	-40 °C	-35 °C	-30 °C	-25 °C	-20 °C	-15 °C	-10 °C	-5 °C	0 °C	2 °C	4 °C
5 K	2211	2442	2651	2816	2926	3014	3157	3333	3542	3575	3608
6 K	2640	2970	3267	3509	3729	3861	3982	4191	4433	4466	4499
7 K	3025	3432	3828	4169	4444	4620	4785	5016	5291	5324	5357
8 K	3333	3839	4334	4763	5126	5445	5588	5874	6204	6259	6314
9 K	3619	4180	4774	5313	5764	6171	6446	6798	7194	7227	7260
10 K	3872	4488	5170	5808	6358	6853	7194	7601	8052	8118	8162

Values referred to :  
Gas R452A



INDICATIVE PRODUCT IMAGE

#### General features

- RSI range unit coolers have been designed to be installed inside cold rooms suited for fresh and frozen goods storage.
- This range has the advantage of having extremely compact dimensions and at the same time gives capacities comparable to the RC range. This feature allows applications inside cold rooms with a minimum encumbrance in height
- RSI range is available in two different fan diameters and three types of fin spacing according to the needed application.
- The ED version is supplied with mounted defrosting heaters and is suitable for being used at low temperature applications.
- The model types having 350mm fan diameter are made of two different groups: models with 3,5mm fin spacing suited for cold room temperature (Tc) from -5°C to +15°C; models with 7mm fin spacing suited for cold room temperature (Tc) from -40°C to +4°C.
- The coil is made of aluminium fins and 3/8" copper tube with geometry 25x22
- It is tested with nitrogen at a pressure of 25 bar
- The fan motor models in use have the following features:
  - Manufactured following EN 60335-1 laws, with internal thermal protection
  - Power supply 230-240V/1/50-60Hz
  - IP44 protection rate
  - F insulation class
  - operating temperature -40°C a +65°C
  - Electrics made in conformity with 73/23CEE Low Tension directive
  - The housing is made of aluminium
- The manufacturing solutions used give the housing strength and guarantee the absence of vibrations during the functioning.
- Screws, washers and nuts are made of stainless steel