



INDICATIVE PRODUCT IMAGE

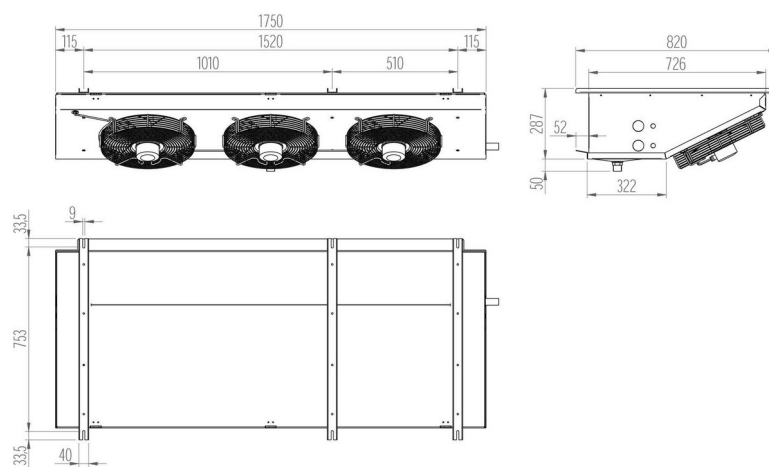
Product file

Code	RSI33507ED
Range	RSI
Model	Ceiling
Application	LBP
PED	0
Rows number	6
Total surface	18.8 m ²
Defrosting (Watt)	4096 W
Net weight	51.5 kg
Inlet connection	12 mm-1/2" sae
Outlet connection	28 mm
Drain connection	1" Gas (33mm)
Fin spacing	7
Circuit volume	6.86 dm ³

Fan-motor

Type	External rotor
Fan-motors no.	3
Diameter	350 mm
Power supply	230/1/50-60
High speed	1400 rpm
Power consumption	390 W
Current consumption	1.74 A
Air flow	4598 m ³ /h
Air throw	12.5 m

Technical data - RSI33507ED



Refrigerating capacity table (W) - RSI33507ED

High speed - RSI33507ED

$\Delta T \setminus$ Cold room Temp	-40 °C	-35 °C	-30 °C	-25 °C	-20 °C	-15 °C	-10 °C	-5 °C	0 °C	2 °C	4 °C
5 K	1910	2109	2290	2432	2527	2603	2727	2879	3059	3088	3116
6 K	2280	2565	2822	3031	3221	3335	3439	3620	3829	3857	3886
7 K	2613	2964	3306	3601	3838	3990	4133	4332	4570	4598	4627
8 K	2879	3316	3743	4114	4427	4703	4826	5073	5358	5406	5453
9 K	3126	3610	4123	4589	4978	5330	5567	5871	6213	6242	6270
10 K	3344	3876	4465	5016	5491	5919	6213	6565	6954	7011	7049

Values referred to :
Gas R449A Mid



INDICATIVE PRODUCT IMAGE

General features

- RSI range unit coolers have been designed to be installed inside cold rooms suited for fresh and frozen goods storage.
- This range has the advantage of having extremely compact dimensions and at the same time gives capacities comparable to the RC range. This feature allows applications inside cold rooms with a minimum encumbrance in height
- RSI range is available in two different fan diameters and three types of fin spacing according to the needed application.
- The ED version is supplied with mounted defrosting heaters and is suitable for being used at low temperature applications.
- The model types having 350mm fan diameter are made of two different groups: models with 3,5mm fin spacing suited for cold room temperature (Tc) from -5°C to +15°C; models with 7mm fin spacing suited for cold room temperature (Tc) from -40°C to +4°C.
- The coil is made of aluminium fins and 3/8" copper tube with geometry 25x22
- It is tested with nitrogen at a pressure of 25 bar
- The fan motor models in use have the following features:
 - Manufactured following EN 60335-1 laws, with internal thermal protection
 - Power supply 230-240V/1/50-60Hz
 - IP44 protection rate
 - F insulation class
 - operating temperature -40°C a +65°C
 - Electrics made in conformity with 73/23CEE Low Tension directive
 - The housing is made of aluminium
- The manufacturing solutions used give the housing strength and guarantee the absence of vibrations during the functioning.
- Screws, washers and nuts are made of stainless steel